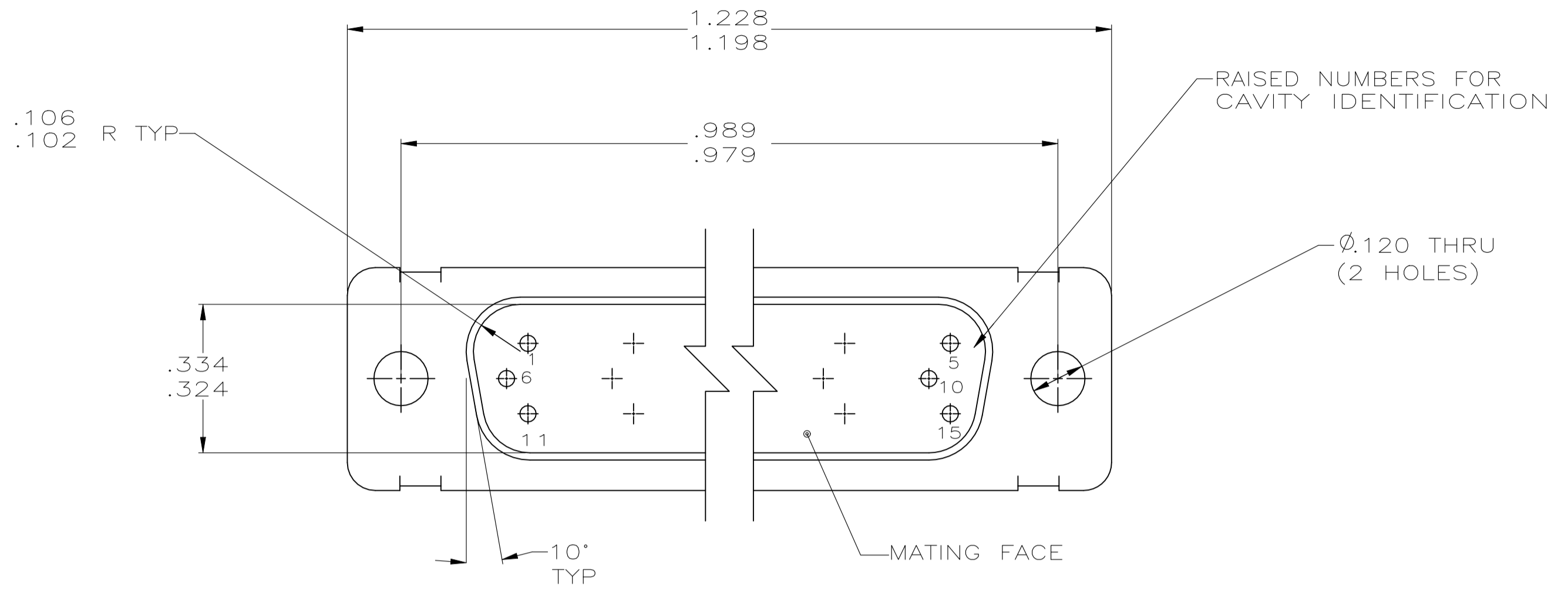
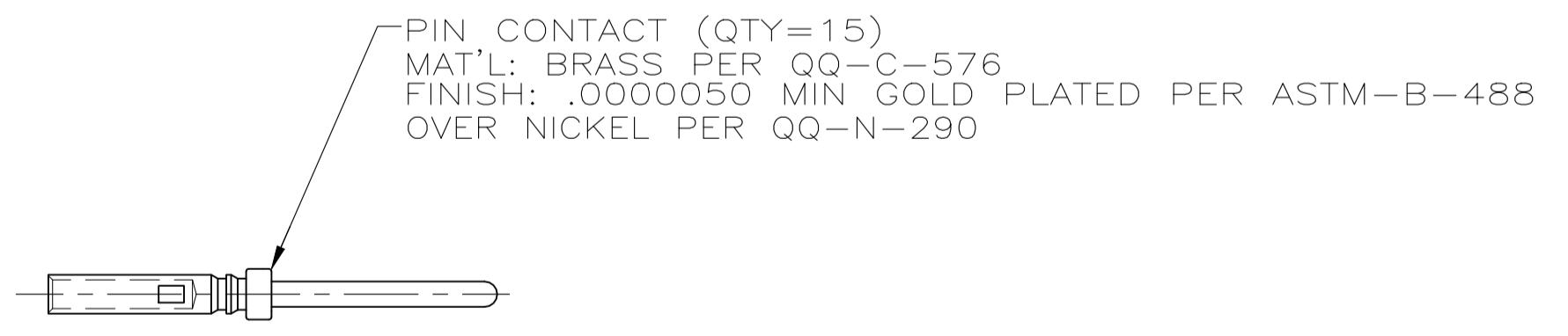
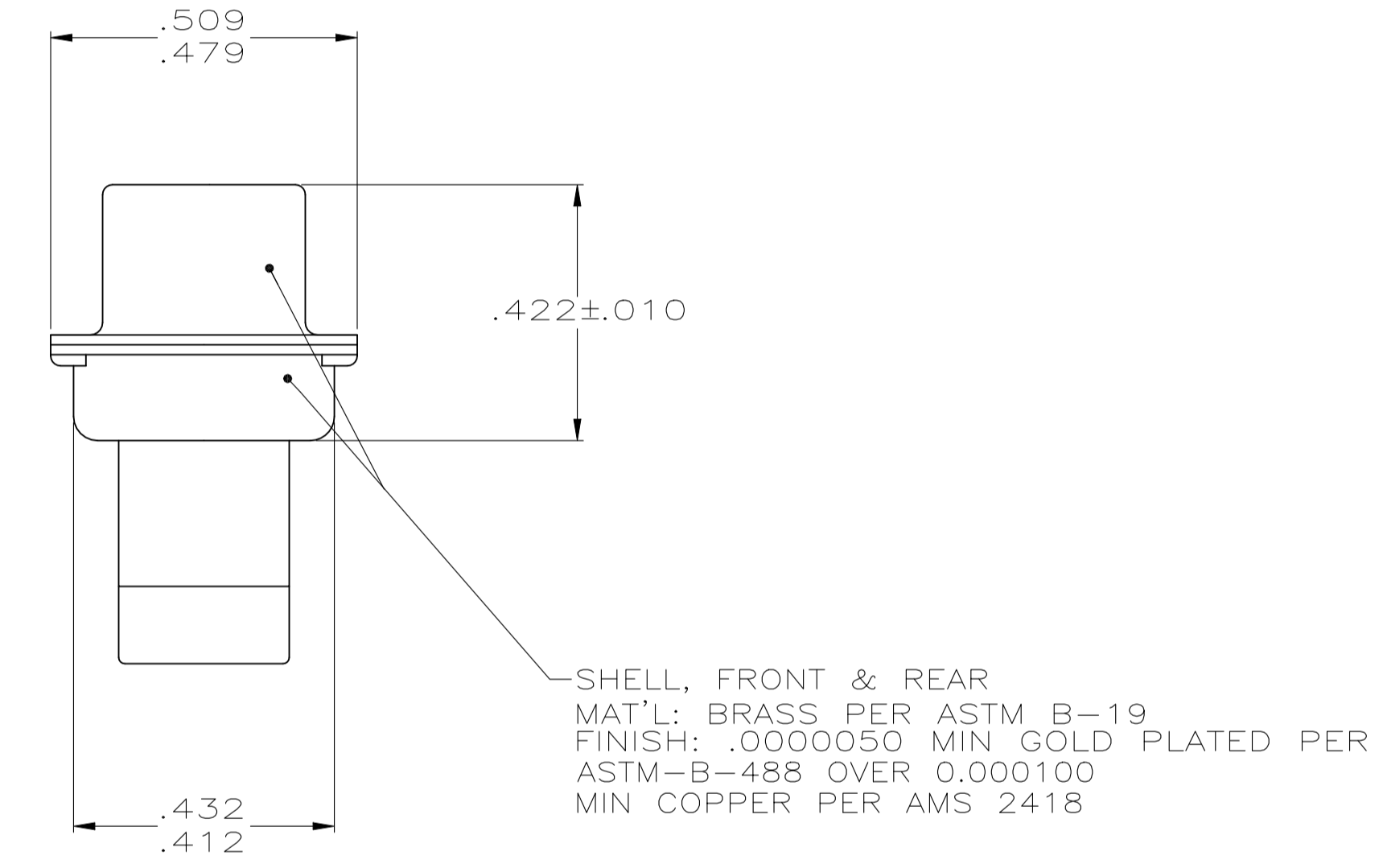
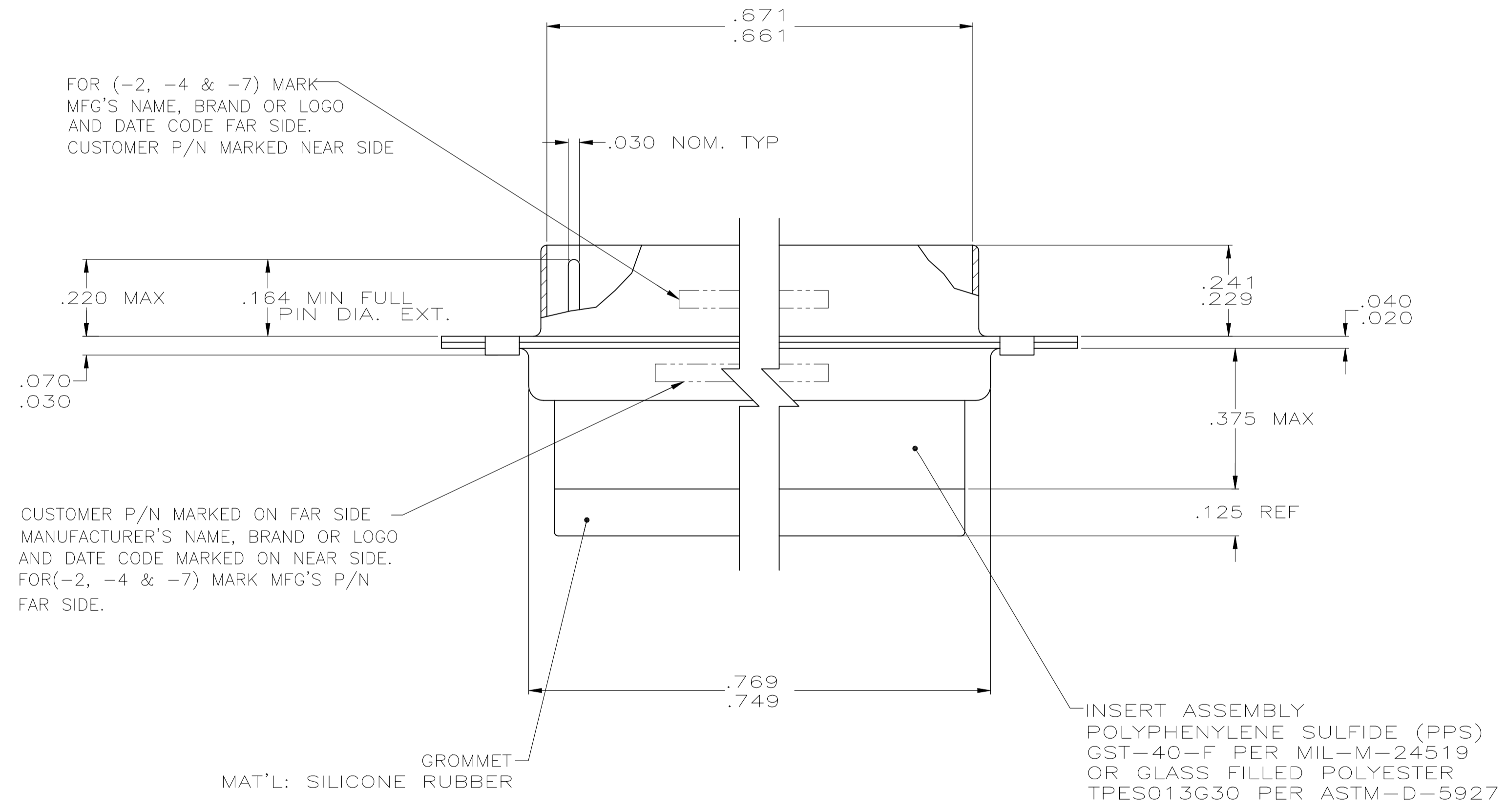


REVISIONS					
P	LTR	DESCRIPTION	DATE	DM	APVD
U		REVISED PER ECO 20-008593	24NOV2021	LN	DM



- THIS PLUG WILL MATE WITH ANY SIZE 1, 15 POSN. RCPT. IN AMPLIMITE SERIES.
 - CONNECTOR SUPPLIED WITHOUT CONTACTS; SHOWN FOR ILLUSTRATION ONLY.
 - BE-CU RETENTION CLIPS ARE INCLUDED IN INSERT AND INSTALLED WITH TINES POINTING TOWARDS MATING FACE.
 - OVERALL DIMENSIONS DO NOT INCLUDE RAISED CAVITY IDENTIFICATION.
 - MARKING FAR SIDE REFERS TO WIDE SIDE OF KEYSTONE. NEAR SIDE REFERS TO NARROW SIDE OF KEYSTONE.
- 6 ONLY PART NO. 211673-7 IS SUPPLIED WITH CONTACTS.
 7 100% INSPECTION REQUIRED PER BOEING 1B01:
 A. VISUAL
 B. DWV
 C. IR
 8 CUSTOMER REQUIRES SINGLE LOT DATE CODE.
 9 SPECIAL REQUIREMENTS:
 A. TEST TWO CONNECTORS PER LOT FOR COMPLIANCE TO GROMMET PEEL STRENGTH REQUIREMENTS.
 B. TEST ALL CIRCUIT CAVITIES FOR MISALIGNMENT OR EXCESSIVE ADHESIVE.



REMARKS	CUSTOMER PART NO.	PART NO.
7 8	1B01-031PHW	1-211673-1
6	B010648-0001	211673-7
		211673-4
9 8	2A065-013V	211673-2
7	1B01-031	211673-1

THIS DRAWING IS A CONTROLLED DOCUMENT.

DIMENSIONS: INCHES	TOLERANCES UNLESS OTHERWISE SPECIFIED:	DIN J. KAISER 3-11-04	REV L. OH 3-25-04	TE Connectivity PLUG ASSY, AMPLIMITE, 15 POSN., SIZE 1, SERIES 90, NON-MAG, SPECIAL WITH GROMMET
0. PLC ± - 1. PLC ± - 2. PLC ± - 3. PLC ± .005 [0.13] 4. PLC ± - ANGLES ± -	FINISH SEE CALLOUTS	APVD L. OH 3-25-04	NAME	
MATERIAL SEE CALLOUTS	WEIGHT 0.000000	SIZE CAGE CODE DRAWING NO	RESTRICTED TO	
		A1 00779 C=211673		
	CUSTOMER DRAWING	SCALE 4:1	SHEET 1 of 1	REV U