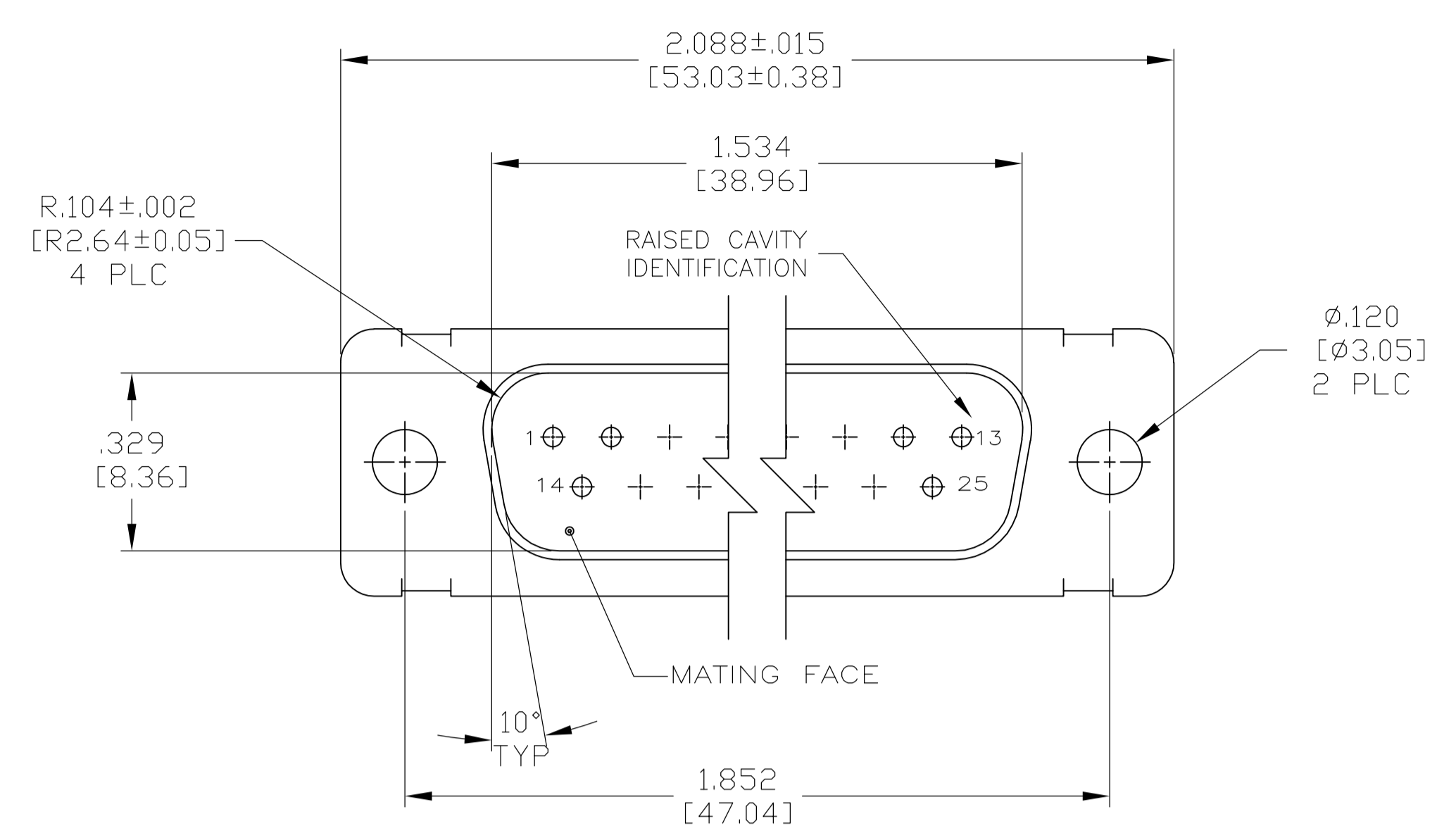
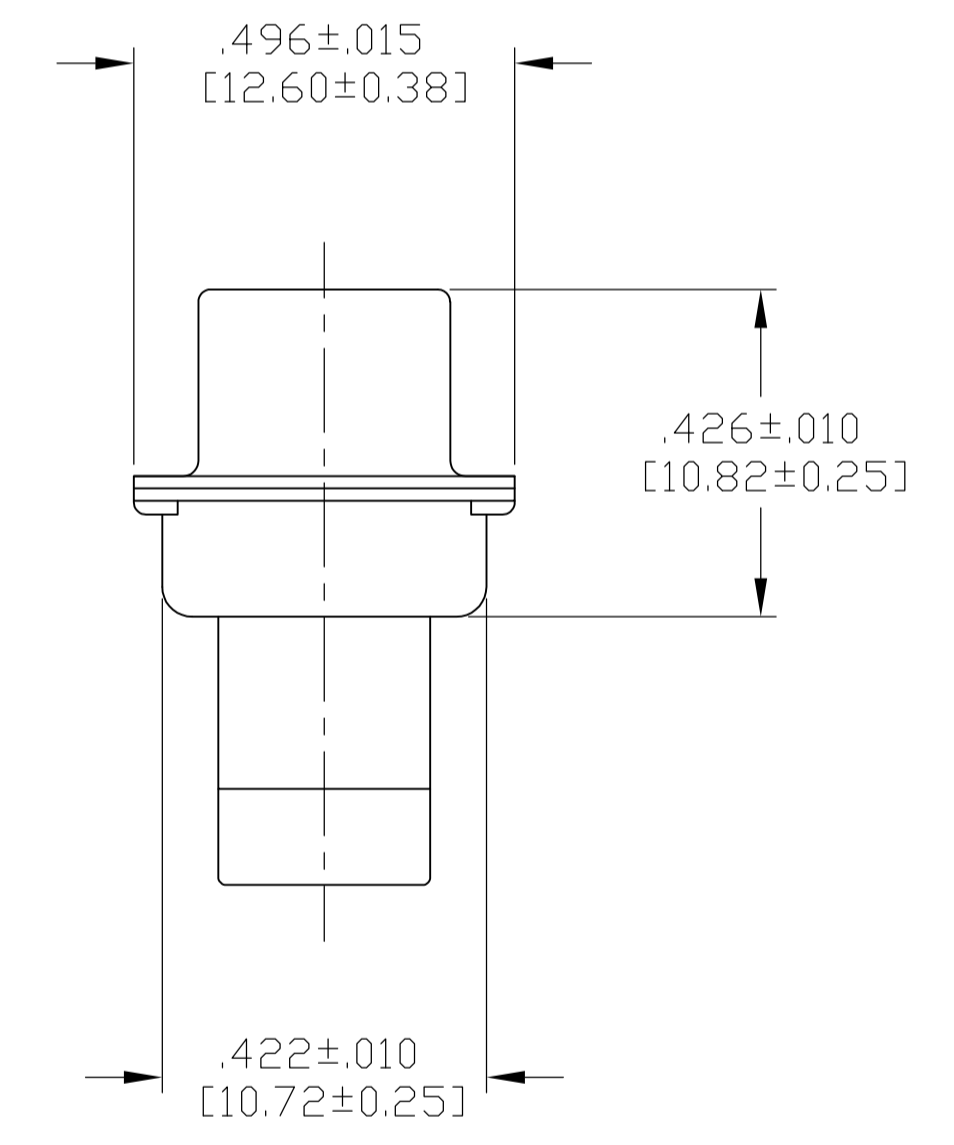
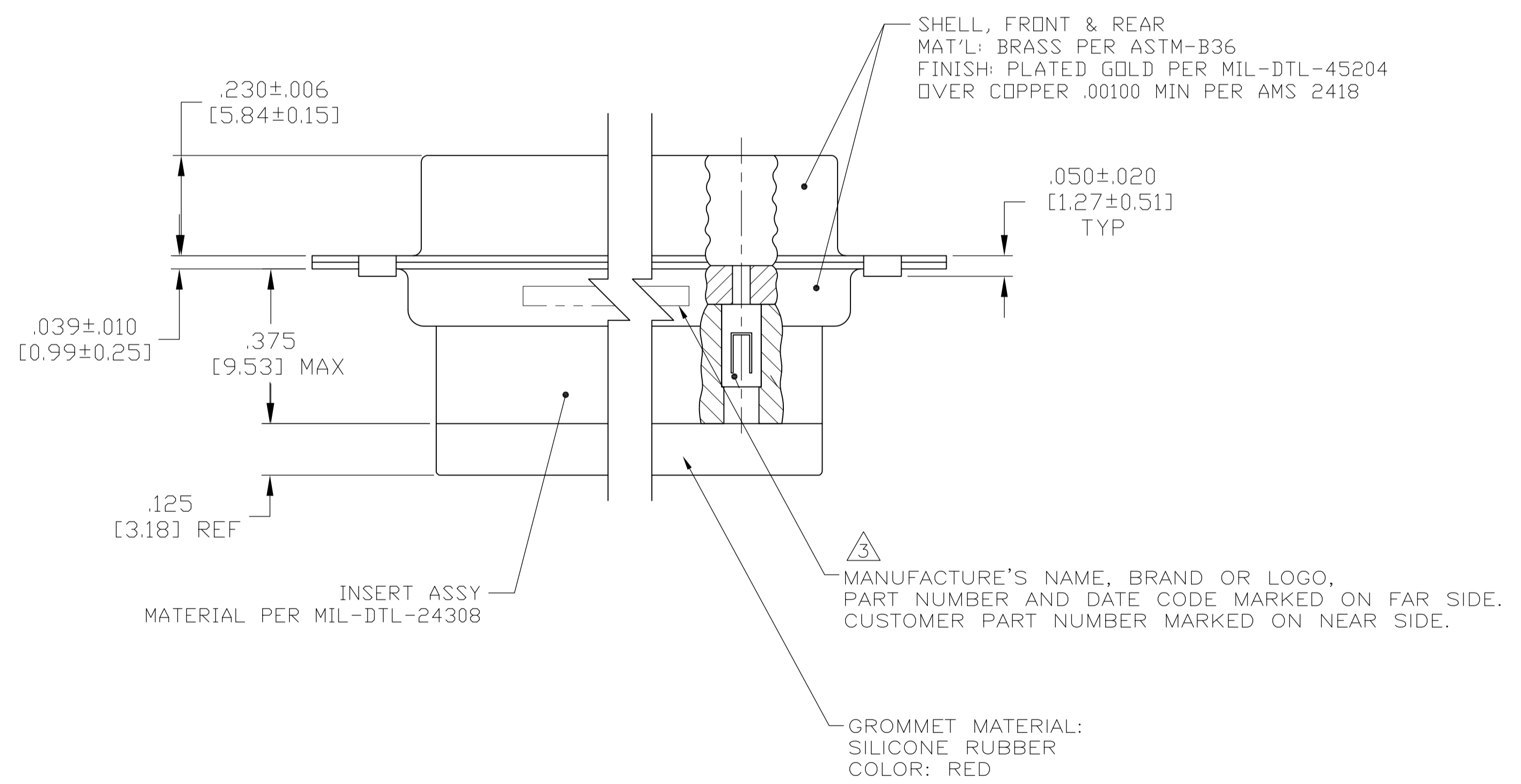


LOC		DIST		REVISIONS			
P	LTR	DESCRIPTION	DATE	DMN	APVD		
J		REV PER ECO 15-005907	5-19-15	CT	DM		



- THIS CONNECTOR ASSEMBLY IS SUPPLIED WITH Be Cu CONTACT RETENTION CLIPS INSTALLED IN THE INSERT ASSEMBLY.
- THIS CONNECTOR ASSEMBLY MATES WITH ANY PLUG CONNECTOR WITH THE SAME INSERT ARRANGEMENT AND DIMENSIONAL REQUIREMENTS PER MIL-C-24308.
- MARKED WITH .047 [1.19]-.062 [1.57] HIGH CHARACTERS. FAR SIDE REFERS TO THE WIDE SIDE OF THE KEYSTONE. NEAR SIDE REFERS TO THE NARROW SIDE OF THE KEYSTONE.
- MAXIMUM WIRE INSULATION TO BE USED WITH THIS CONNECTOR ASSEMBLY IS .068 [1.73] DIAMETER.
- SPECIAL REQUIREMENTS PER BOEING 1A01 DOCUMENT.
- BUILT TO ORDER, NO INVENTORY OF THIS PART NUMBER IS TO BE KEPT. SINGLE LOT DATE CODE REQUIRED.



REMARKS	CUSTOMER MARKING	PART NUMBER
△6 △7	1A01-028PHW	1-211640-1
--	---	211640-4
△7	2A014-033V-001	211640-2
△6 △7	1A01-028PHA	211640-1

THIS DRAWING IS A CONTROLLED DOCUMENT.		DIN C.C.THOMAS 4-9-09		STE TE Connectivity																	
DIMENSIONS: INCHES		TOLERANCES UNLESS OTHERWISE SPECIFIED:		APPROVED: R. LEASE 4-9-09																	
<table border="1"> <tr><td>0 PLC</td><td>± -</td></tr> <tr><td>1 PLC</td><td>± -</td></tr> <tr><td>2 PLC</td><td>± -</td></tr> <tr><td>3 PLC</td><td>± .005 [0.13]</td></tr> <tr><td>4 PLC</td><td>± -</td></tr> <tr><td>ANGLES</td><td>± -</td></tr> </table>		0 PLC	± -	1 PLC	± -	2 PLC	± -	3 PLC	± .005 [0.13]	4 PLC	± -	ANGLES	± -	<table border="1"> <tr><td>APPROVED: R. LEASE 4-9-09</td></tr> <tr><td>PRODUCT SPEC</td></tr> <tr><td>APPLICATION SPEC</td></tr> <tr><td>WEIGHT</td></tr> </table>		APPROVED: R. LEASE 4-9-09	PRODUCT SPEC	APPLICATION SPEC	WEIGHT	NAME: PLUG ASSY.,AMPLIMITE.25 POSN.,SIZE 3, SERIES 109 WITH GROMMET, NON-MAGNETIC	
0 PLC	± -																				
1 PLC	± -																				
2 PLC	± -																				
3 PLC	± .005 [0.13]																				
4 PLC	± -																				
ANGLES	± -																				
APPROVED: R. LEASE 4-9-09																					
PRODUCT SPEC																					
APPLICATION SPEC																					
WEIGHT																					
MATERIAL: SEE CALLOUTS		FINISH: SEE CALLOUTS		SIZE: A1 00779 C=211640																	
CUSTOMER DRAWING		SCALE: 4:1		SHEET 1 OF 1 REV J																	