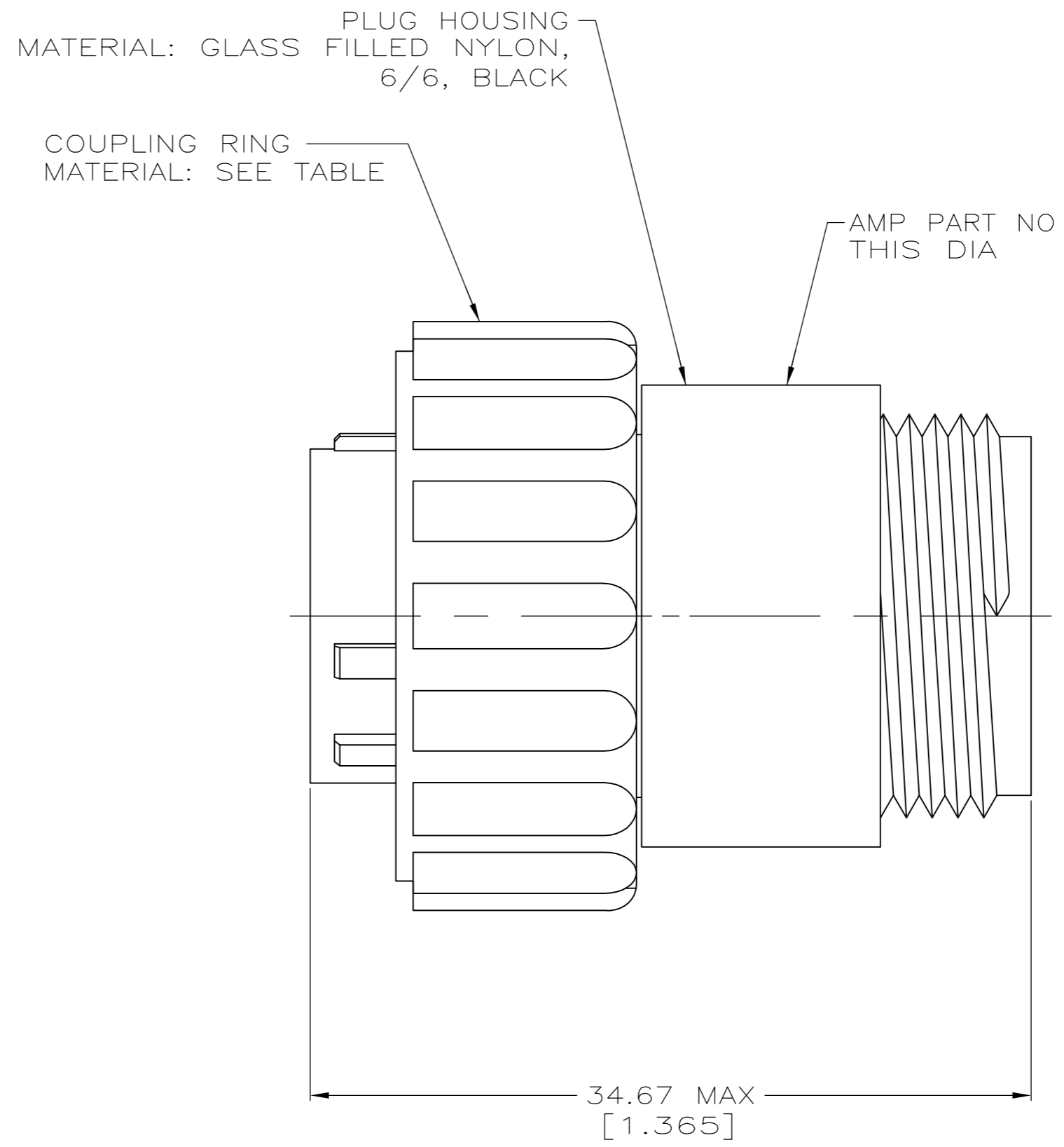
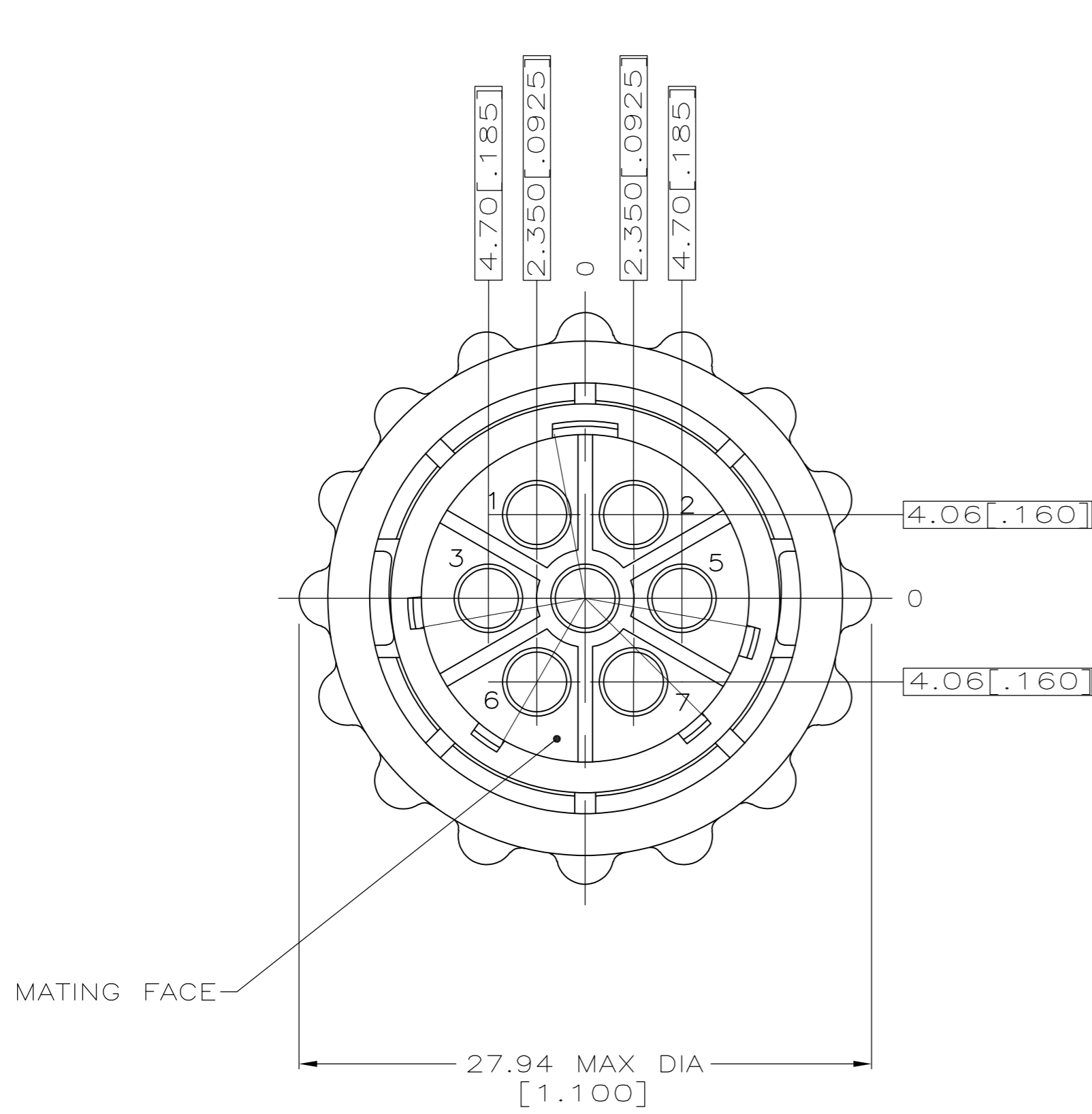


THIS DRAWING IS UNPUBLISHED. RELEASED FOR PUBLICATION  
 © COPYRIGHT - By - ALL RIGHTS RESERVED.

LOC		DIST		REVISIONS			
P	LTR	DESCRIPTION	DATE	DWN	APVD		
		D4	REVISED PER ECO-13-006250	12APR2013	KH	ZM	



- 1 CONTACT CAVITIES IDENTIFIED BY CHARACTERS ON FRONT AND REAR FACES OF CONNECTOR.
- 2 WILL ACCEPT SEVEN (7) MULTIMATE PIN CONTACTS.
- 3 OBSOLETE PARTS: OBSOLETE CIS STREAMLINING PER D.RENAUD/D.SINISI
- 4 COMPARATIVE TRACKING INDEX OF PLUG HOUSING MATERIAL PER UL746A = 400 MIN.

3	OBSOLETE	DIE CAST ZINC	-211400-2
		POLYESTER, BLACK	211400-1
		COUPLING RING MATERIAL	PART NUMBER

THIS DRAWING IS A CONTROLLED DOCUMENT.		DWN	07-01-94	<b>TE</b> TE Connectivity	
DIMENSIONS: INCHES		CHK	08-10-94		
TOLERANCES UNLESS OTHERWISE SPECIFIED:		APVD		NAME	
0 PLC ± -		-		VDE PLUG ASSEMBLY, REVERSE SEX, 13-7, CPC	
1 PLC ± -		PRODUCT SPEC		-	
2 PLC ± -		APPLICATION SPEC		-	
3 PLC ± -		WEIGHT		-	
4 PLC ± -		SCALE		4:1	
ANGLES ± -		SHEET		1 of 1	
FINISH		REV		D4	
MATERIAL		CUSTOMER DRAWING		RESTRICTED TO	
-		A2 00779 C=211400		-	