

THIS DRAWING IS UNPUBLISHED.

RELEASED FOR PUBLICATION

© COPYRIGHT 19

ALL RIGHTS RESERVED.

LOC DS

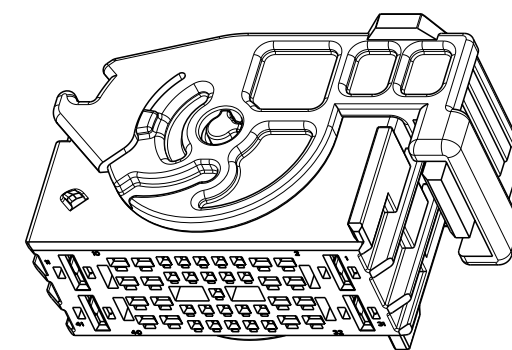
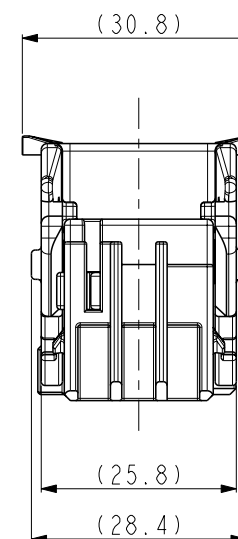
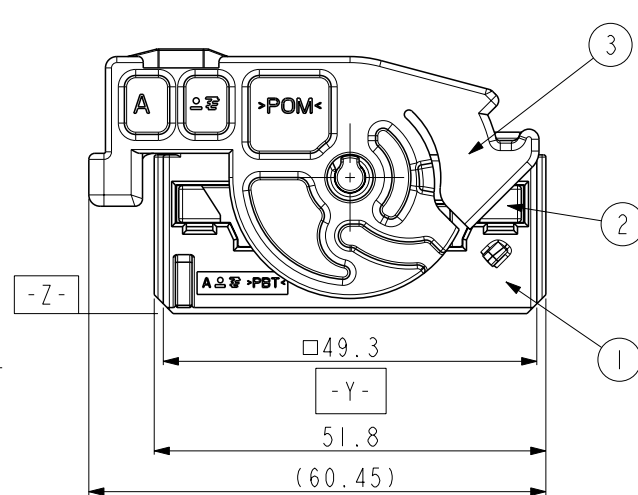
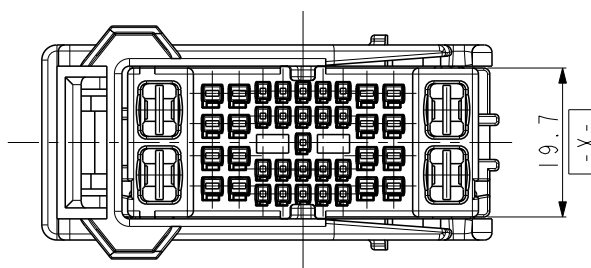
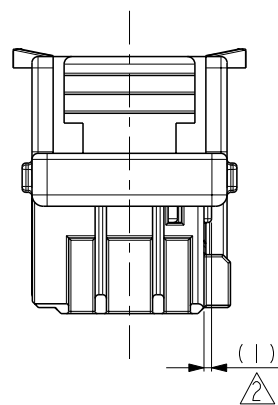
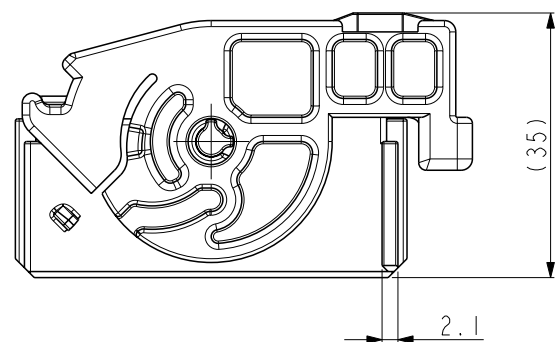
DIST -

REVISIONS

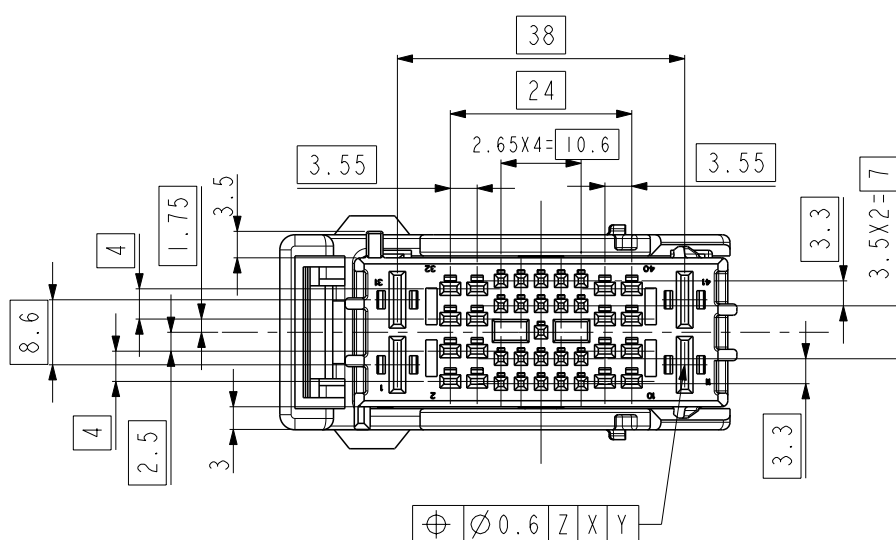
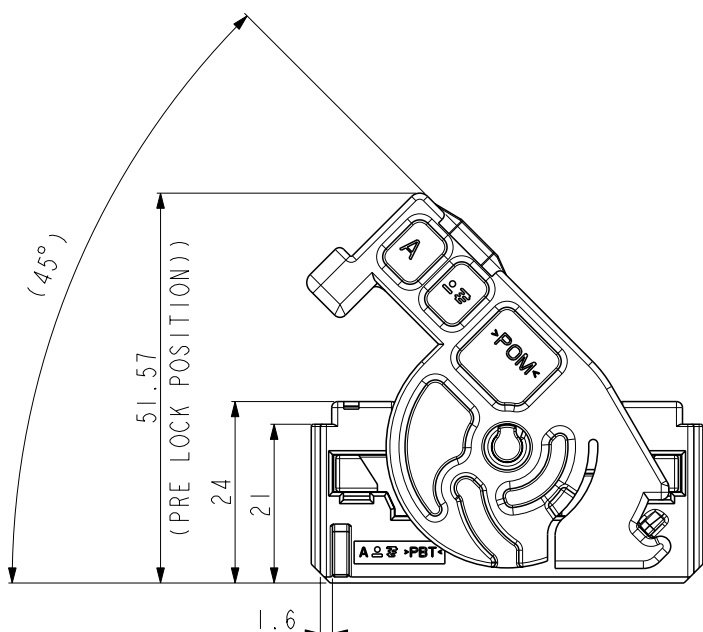
P	LTR	DESCRIPTION	DATE	DWN	APVD
B		REVISED (ECR-18-014908)	20.SEP.'18	SJ	KT

<TABLE 1>

TYPE	FINISH	P/N	WIRE RANGE (mm <sup>2</sup> )
.025	PRE-TIN	2005097-1	0.22
	SEL-GOLD	2005427-1	0.3~0.5
.060	PRE-TIN	2109006-1	0.22~0.35
		2109006-2	0.5~0.75
		2109006-3	0.85~1.25
.250	PRE-TIN	1241402-1	0.5~1.0
		1241404-1	>1.0~2.5
		1241406-1	>2.5~4.0



ISO VIEW SCALE 1:1



NOTE  
 1. GENERAL TOLERANCE: ±0.3, ±3°  
 2. CONDITION OF DELIVERY  
 DBL IN 1st LOCKING POSITION  
 LEVER IN FILAL LOCKING POSITION  
 3. APPLICABLE CAP ASS'Y P/N: X-2109197-X  
 4. APPLICABLE RECEPTACLE CONTACT P/N: <TABLE 1>

NO	COLOR	MATERIAL	DESCRIPTION	Q'TY
③	GRAY	POM	LEVER HSG	1
②	NATURAL	PBT	PLUG DBL HSG	1
①	BLACK	PBT	PLUG HSG	1
	NATURAL	PBT	PLUG HSG	1

ASS'Y P/N	DESCRIPTION
2109193-1	HYB 4IP PLUG ASS'Y
2109193-2	HYB 4IP PLUG ASS'Y

THIS DRAWING IS A CONTROLLED DOCUMENT.

DIMENSIONS:	TOLERANCES UNLESS OTHERWISE SPECIFIED:
mm	
	0 PLC ± -
	1 PLC ± 0.1
	2 PLC ± 0.01
	3 PLC ± 0.001
	4 PLC ± 0.0001
	ANGLES ± -
MATERIAL	FINISH

DWN	SJ CHOI
CHK	KT LIM
APVD	HG CHO
PRODUCT SPEC	-
APPLICATION SPEC	-
WEIGHT	-

**TE** TE Connectivity

025/060/250 4IP PLUG ASSY

SIZE	CAGE CODE	DRAWING NO	RESTRICTED TO
A3	00779	2109193	-

CUSTOMER DRAWING SCALE 1:1 SHEET 1 OF 1 REV B