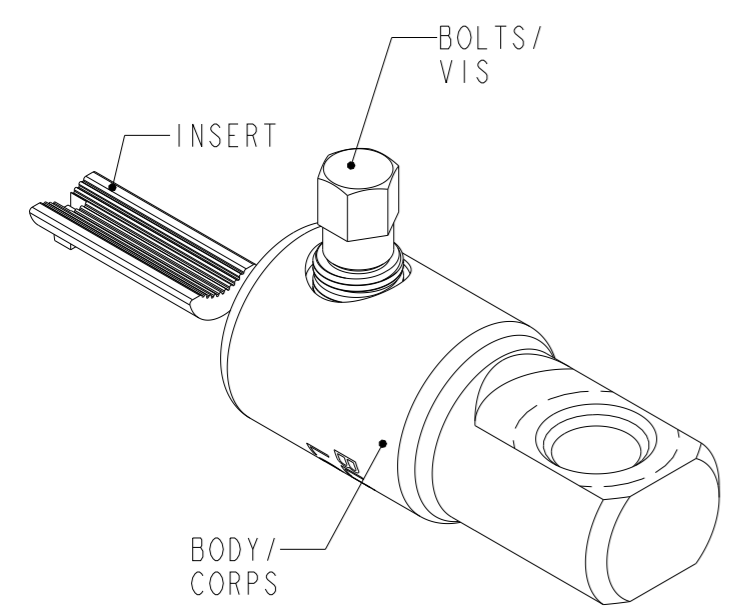
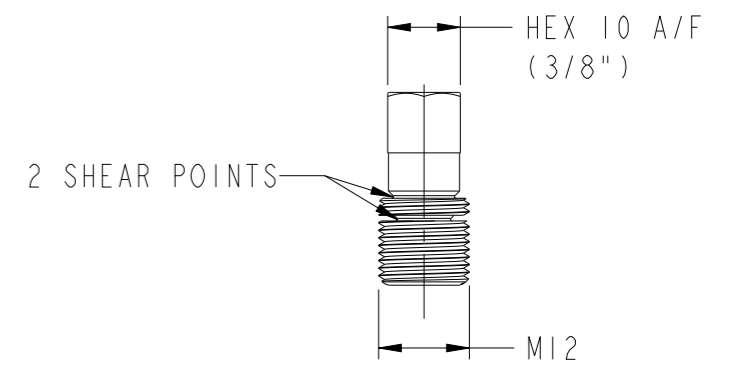
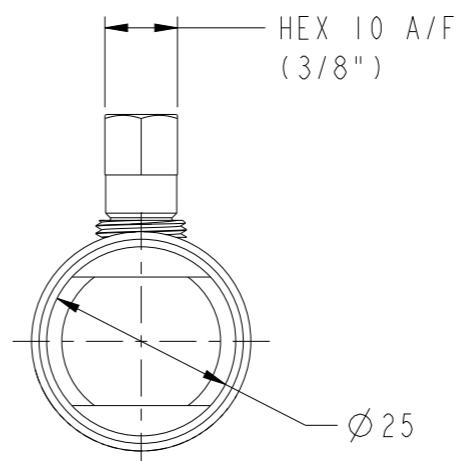
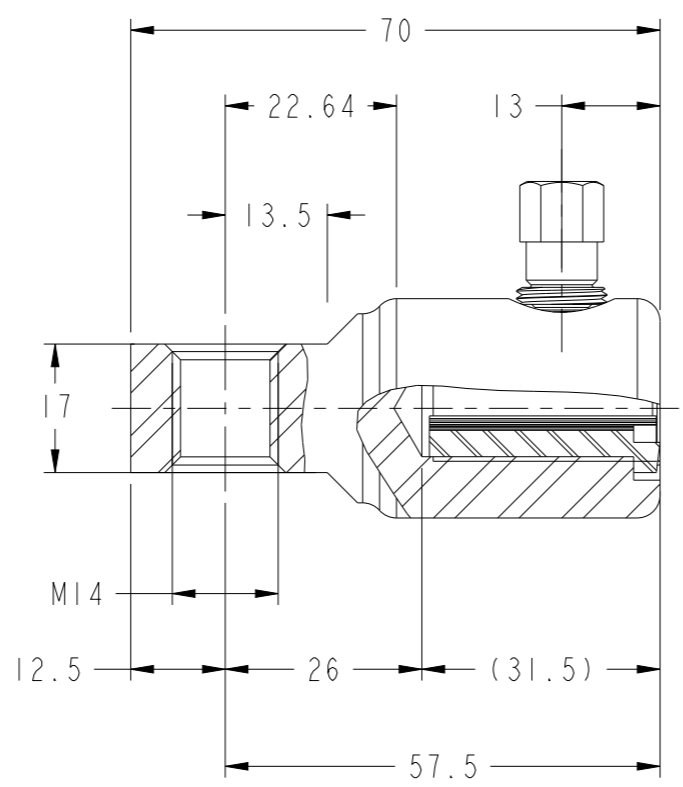
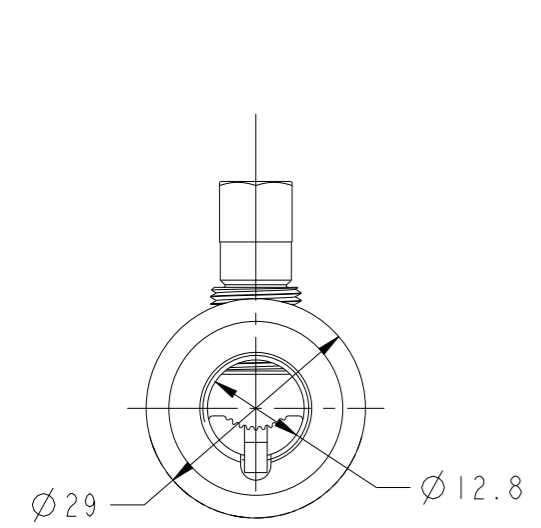


THIS DRAWING IS UNPUBLISHED. RELEASED FOR PUBLICATION 20  
 © COPYRIGHT 20 ALL RIGHTS RESERVED.

BLMC-25/95-14	2107351-1
DESCRIPTION	PART NUMBER

LOC	DIST	REVISIONS			
P	LTR	DESCRIPTION	DATE	DWN	APVD
FH	00				
		A	06MAY2010	BM	NA
		B	14SEP2020	NB	BM



	AL				CU		
	ROUND STRANDED /Circ. câblé /RM	ROUND SOLID /Circ. massif /RE	SECTOR STRANDED /Sectoral câblé /SM	SECTOR SOLID /Sectoral massif /SE	ROUND STRANDED /Circ. câblé /RM	SECTOR STRANDED /Sectoral câblé /SM	ROUND FLEXIBLE
CONDUCTOR CROSS-SECTION /Section conducteur /Querschnittsbereich mm <sup>2</sup>	25-95	25-95	25-70 (95 with rounding)	-	16-95	25-70 (95 with rounding)	25-35 (70)
CONDUCTOR DIAMETER /Diamètre conducteur /Leiterdurchmesser mm	Ø 5.7-Ø 12.5	Ø 5.5-Ø 11	-	-	Ø 4.8-Ø 12.5	-	Ø 6.3-Ø 9.2 (25 <sup>2</sup> -35 <sup>2</sup> ) Ø 11-Ø 12 (FOR 70 <sup>2</sup> )

TOLERANCES UNLESS OTHERWISE SPECIFIED: -  
 TOLERANCES NON SPECIFIEES: -

THIS DRAWING IS A CONTROLLED DOCUMENT.		DWN B. MILLOT 06MAY2010	TE Connectivity	
DIMENSIONS: mm		CHK A. GUICHARD		
		APVD N. ALMEIDA	PRODUCT SPEC -	
		APPLICATION SPEC -		
MATERIAL -		FINISH -	WEIGHT 91 g	SIZE A3
		CAGE CODE -		DRAWING NO C-2107351
		RESTRICTED TO -		SCALE 1:1
		CUSTOMER DRAWING		SHEET 1 OF 1 REV B