

THIS DRAWING IS UNPUBLISHED.  
DIFFUSION RESTREINTE

RELEASED FOR PUBLICATION  
LIBRE A LA DIFFUSION

20

LOC  
FH

DIST  
2

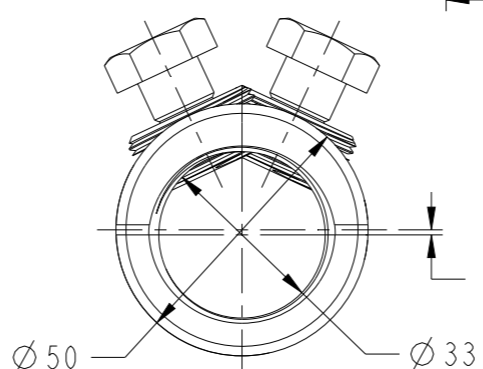
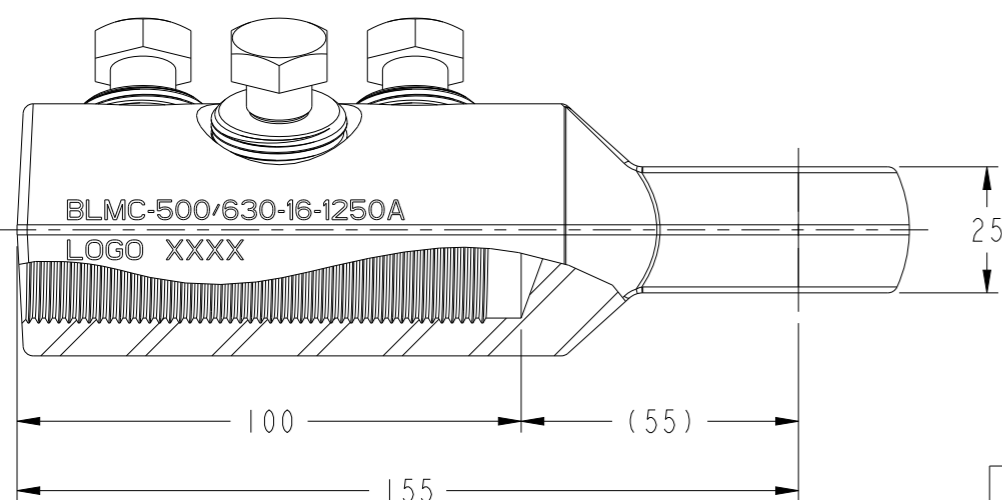
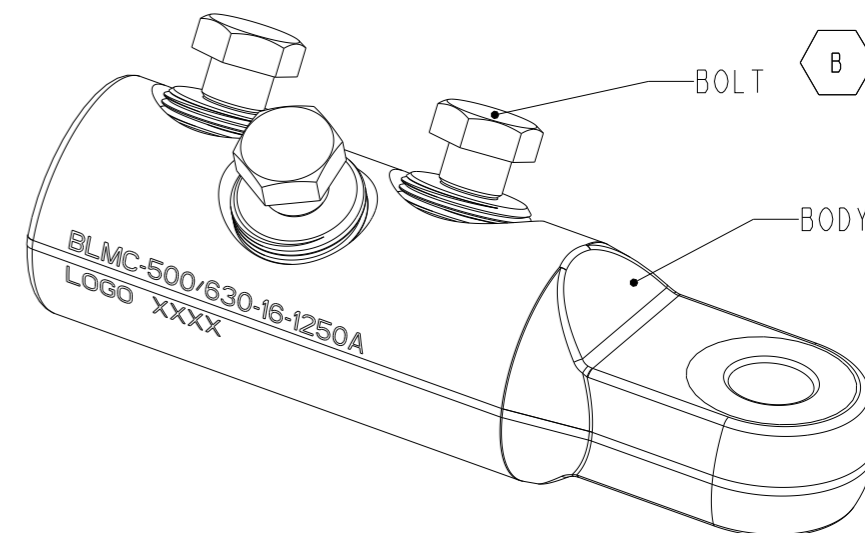
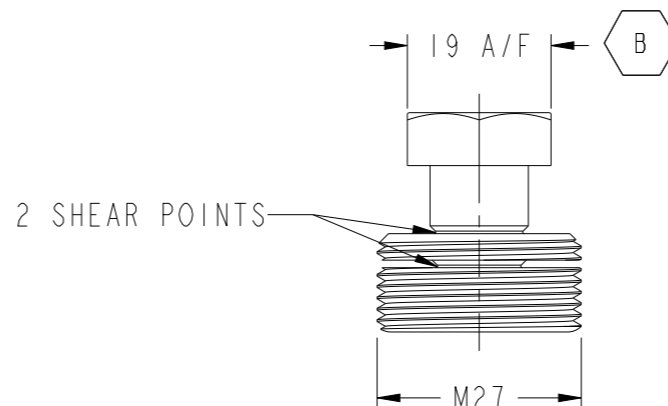
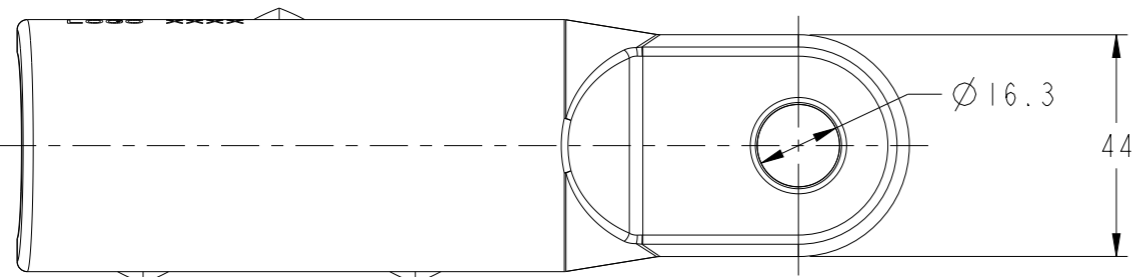
REVISIONS

© COPYRIGHT 20 BY -

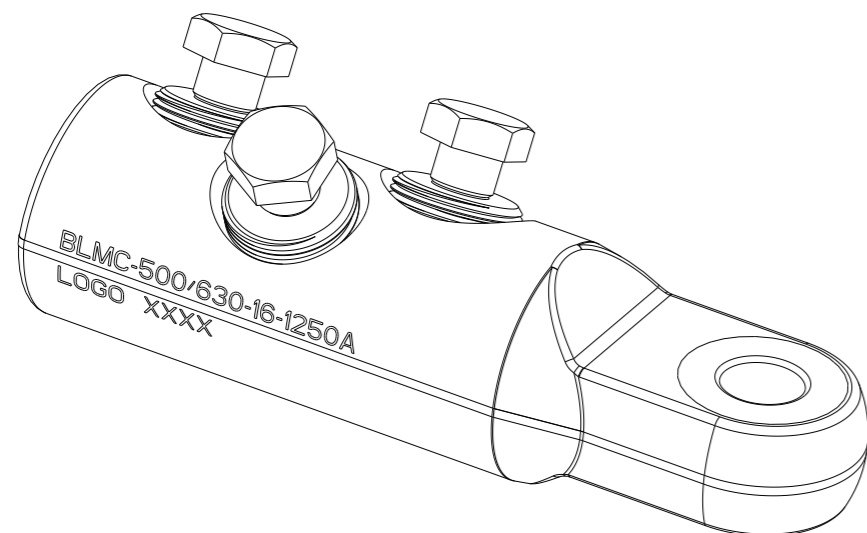
ALL RIGHTS RESERVED.  
TOUS DROITS RESERVES

P	LTR REV	DESCRIPTION MODIFICATIONS	DATE	DWN DESS.	APVD APP.
	I	CREATION (WAS P202140)	15MAY2009	BM	NA
	A	DRAWING DIFFUSION	15APR2011	BM	NA
	B	ECR-21-116618	09SEP2021	RK	BM

BLMC-500/630-16-1250A	2107040-1	CP8885-000
DESCRIPTION	PART NUMBER	RPN



	AL				CU	
	ROUND STRANDED /Circ. câblé /RM	ROUND SOLID /Circ. massif /RE	SECTOR STRANDED /Sectoral câblé /SM	SECTOR SOLID /Sectoral massif /SE	ROUND STRANDED /Circ. câblé /RM	SECTOR STRANDED /Sectoral câblé /SM
CONDUCTOR CROSS-SECTION /Section conducteur /Querschnittsbereich mm <sup>2</sup>	500-630	500-630	-	-	500-630	-
CONDUCTOR DIAMETER /Diamètre conducteur /Leiterdurchmesser mm	Ø 25.3-Ø 32.5	Ø 24-Ø 28.4	-	-	Ø 25.3-Ø 32.5	-



THIS DRAWING IS A CONTROLLED DOCUMENT.  
CE PLAN EST UN DOCUMENT CONTROLE PAR TYCO ELECTRONICS CORPORATION.  
IL EST SUSCEPTIBLE D'ETRE REVISE. POUR OBTENIR LA DERNIERE REVISION,  
CONTACTER LE SERVICE TECHNIQUE DE TYCO ELECTRONICS SIMEL SAS,  
21220 GEVREY-CHAMBERTIN, FRANCE.

DIMENSIONS: mm	TOLERANCES UNLESS OTHERWISE SPECIFIED: TOLERANCES NON SPECIFIEES (SUIV NB DE DECIMALES): 0 PLC/DEC: ±0 1 PLC/DEC: ±0 2 PLC/DEC: ±0 3 PLC/DEC: ±0 4 PLC/DEC: ±0 ANGLES ±
MATERIAL MATIERE	AL ALLOY FINISH FINITION

DWN/DESSINE	12APR2011
CHK/VERIFIE	B. MILLOT
APVD/APPROUVE	M. DOLLING
PRODUCT SPEC SPEC. PRODUIT	N. ALMEIDA
APPLICATION SPEC SPEC. APPLICATION	

NAME TITRE		BLMC-500/630-16-1250A	
SIZE FORMAT	CAGE CODE	DRAWING NO No PLAN	RESTRICTED TO RESERVE A
A3	-	C=2107040	

WEIGHT MASSE APPROX.	544 g	CUSTOMER DRAWING /PLAN CLIENT	UNIQUEMENT POUR REFERENCE	SCALE ECHELLE 2:3	SHEET FEUILLE 1 OF DE 1	REV B
----------------------	-------	-------------------------------	---------------------------	-------------------	-------------------------	-------

TOLERANCES UNLESS OTHERWISE SPECIFIED  
TOLERANCES NON SPECIFIEES: -

