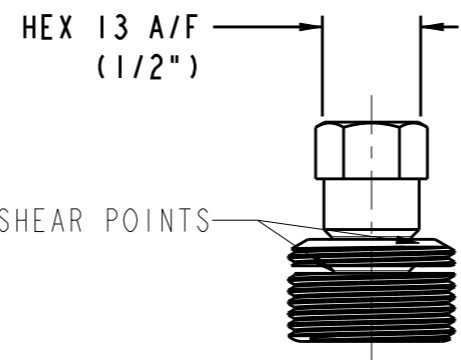
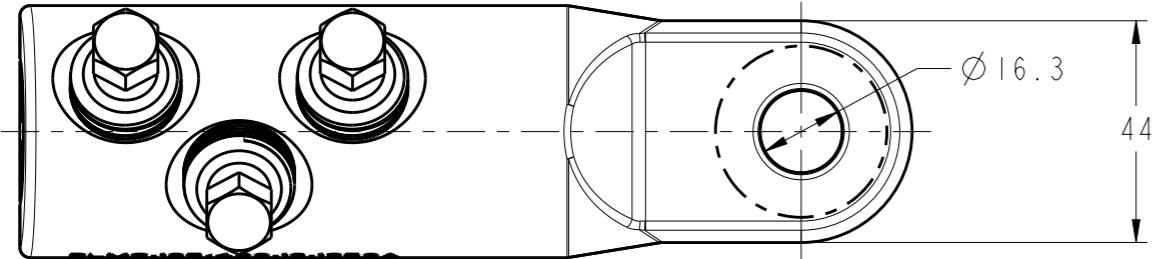
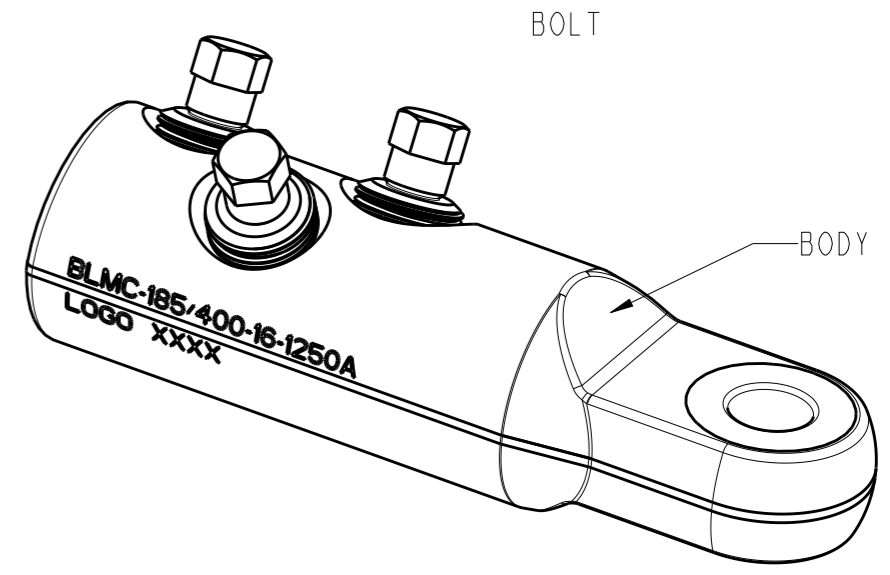
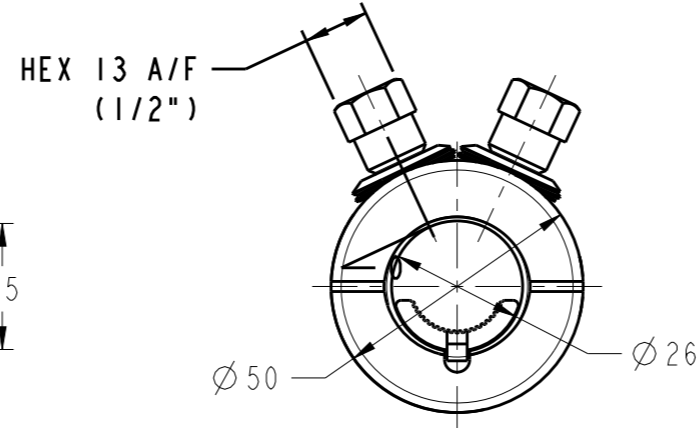
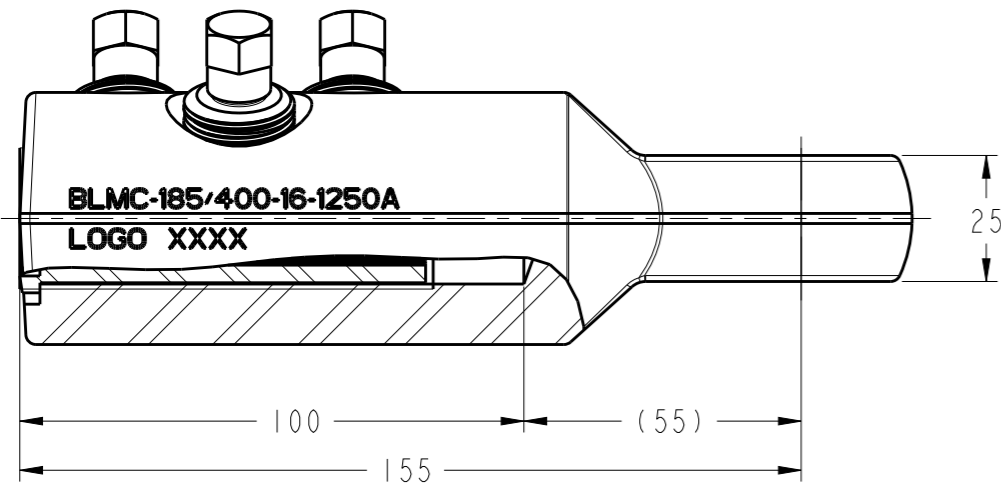


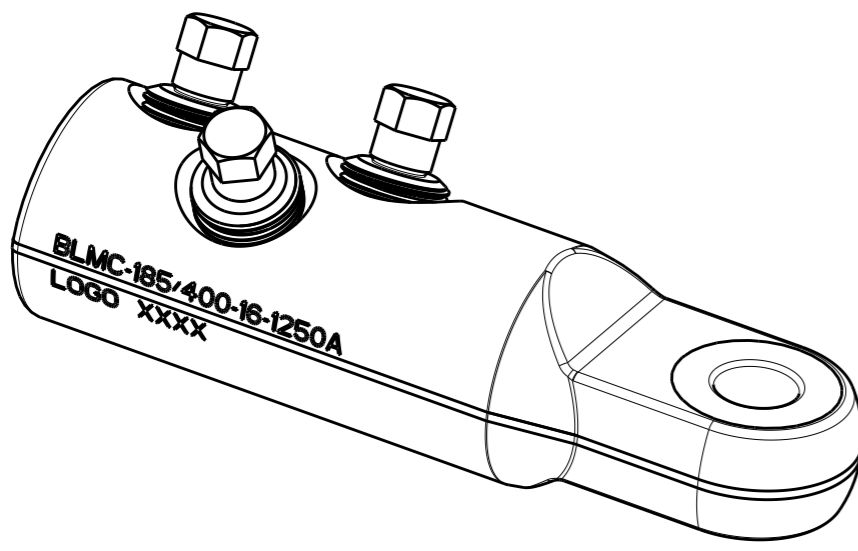
THIS DRAWING IS UNPUBLISHED. DIFFUSION RESTREINTE. RELEASED FOR PUBLICATION LIBRE A LA DIFFUSION. ALL RIGHTS RESERVED. TOUS DROITS RESERVES.


BLMC-185/400-16-1250A	2107038-1
DESCRIPTION	TCPN

LOC	DIST	REVISIONS				
P	LTR REV	DESCRIPTION MODIFICATIONS	DATE	DWN DESS.	APVD APP.	
FH	2					
	I	CREATION (WAS P202416)	15MAY2009	BM	NA	
	A	DRAWING DIFFUSION	15APR2011	BM	NA	
	B	ECR-20-003097 HEAD REDUCES TO 13	13MAR2020	NB	AG	



	AL				CU	
	ROUND STRANDED /Circ. câblé /RM	ROUND SOLID /Circ. massif /RE	SECTOR STRANDED /Sectoral câblé /SM	SECTOR SOLID /Sectoral massif /SE	ROUND STRANDED /Circ. câblé /RM	SECTOR STRANDED /Sectoral câblé /SM
CONDUCTOR CROSS-SECTION /Section conducteur /Querschnittsbereich mm <sup>2</sup>	185-400	185-400	185-240 (300 and 400 with rounding)	185-240 (300 with 90°)	185-400	185-240 (300 and 400 with rounding)
CONDUCTOR DIAMETER /Diamètre conducteur /Leiterdurchmesser mm	Ø 15.5-Ø 24.6	Ø 14.8-Ø 22.2	-	-	Ø 15.5-Ø 24.6	-



THIS DRAWING IS A CONTROLLED DOCUMENT. CE PLAN EST UN DOCUMENT CONTROLE PAR TYCO ELECTRONICS CORPORATION. IL EST SUSCEPTIBLE D'ETRE REVISE. POUR OBTENIR LA DERNIERE REVISION, CONTACTER LE SERVICE TECHNIQUE DE TYCO ELECTRONICS SIMEL SAS, 21220 GEVREY-CHAMBERTIN, FRANCE.		DWN/DESSINE B. MILLOT 15MAY2009	 TE Connectivity	
DIMENSIONS: mm		CHK/VERIFIE A. GUICHARD 13MAR2020		
TOLERANCES UNLESS OTHERWISE SPECIFIED: (SUIV NB DE DECIMALES): 0 PLC/DEC: ±0 1 PLC/DEC: ±0 2 PLC/DEC: ±0 3 PLC/DEC: ±0 4 PLC/DEC: ±0 ANGLES ±		APVD/APPROUVE N. ALMEIDA 13MAR2020	RESTRICTED TO RESERVE A	
MATERIAL MATIERE: AL ALLOY		FINISH FINITION: TINNED	PRODUCT SPEC SPEC. PRODUIT: -	SIZE FORMAT: A3
		WEIGHT MASSE APPROX.: 655 g	APPLICATION SPEC SPEC. APPLICATION: -	CAGE CODE: -
		RESTRICTED CUSTOMER/PLAN CLIENT	UNIQUEMENT POUR REFERENCE	DRAWING NO No PLAN: C-2107038
			SCALE ECHELLE: 2:3	SHEET FEUILLE: 1 OF DE: 1
				REV: B