

4

3

2

1

THIS DRAWING IS UNPUBLISHED.

RELEASED FOR PUBLICATION

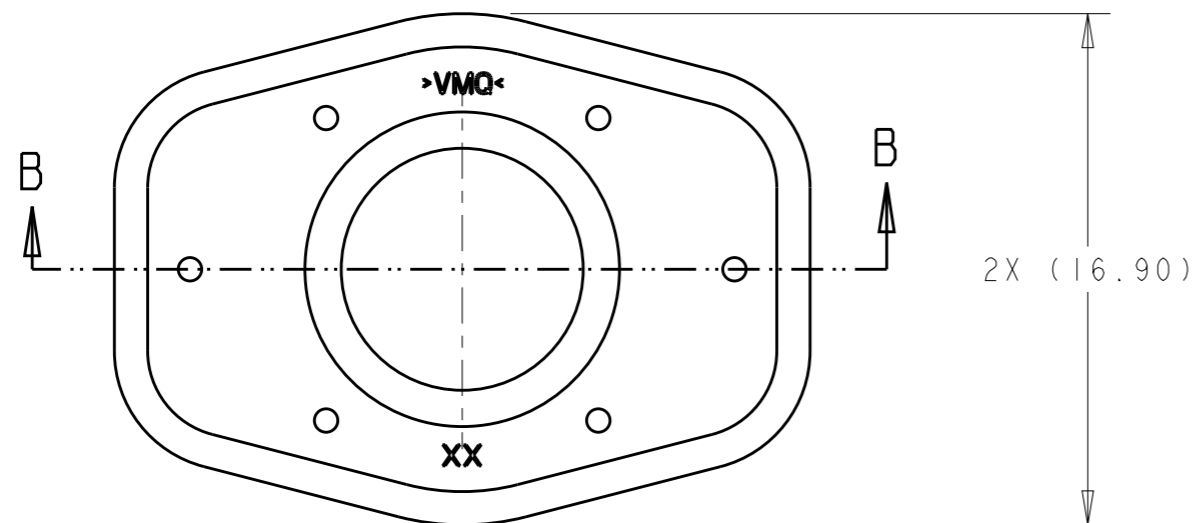
20

© COPYRIGHT 20 BY TYCO ELECTRONICS CORPORATION ALL RIGHTS RESERVED.

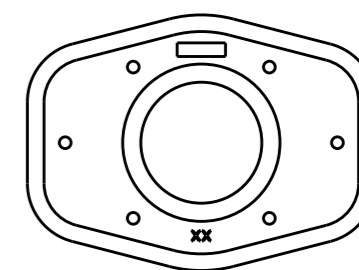
LOC HV DIST 00

REVISIONS

P	LTR	DESCRIPTION	DATE	DWN	APVD
	A	ECR-12-002035	06FEB2012	DS	TD
	A1	REVISED PER ECO-12-019026	29OCT2012	DD	AA



SCALE 1:1



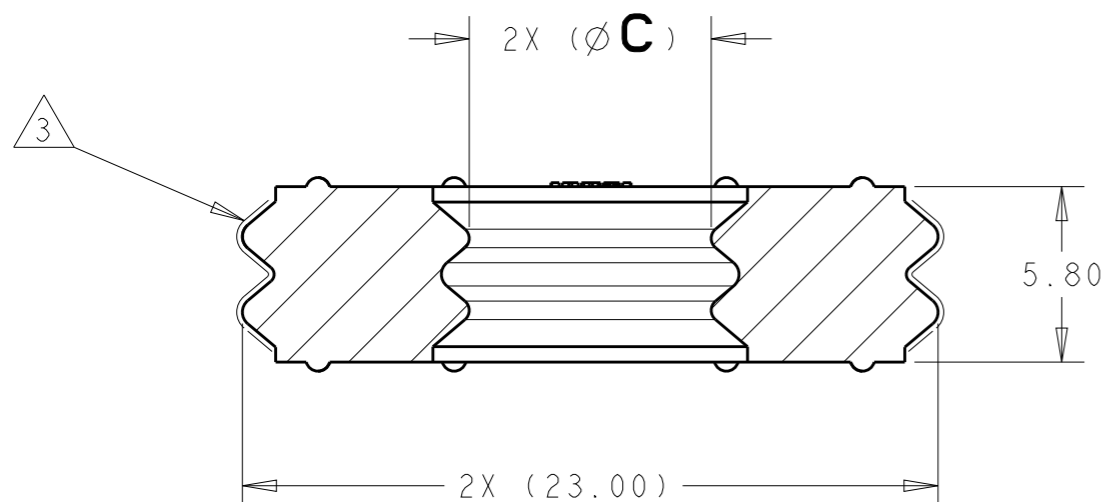
ALTERNATE CONSTRUCTION SCALE 2:1

1. NO DAMAGE, SINK MARKS, CAVITIES AND FLOW LINES PERMITTED

2 MATERIAL: 30 DUROMETER SILICONE - INHERENTLY LUBRICATED COLOR: SEE TABLE


3 AROUND NO FLASH PERMITTED

4 NOTE DELETED



SECTION B-B

6.90	1.50g	GREEN	8.10-8.70	A	2103188-2
8.00	1.44g	LIGHT BLUE	8.70-9.30	A	2103188-1
C	WEIGHT	COLOR	CABLE DIA	REV	PART NUMBER

THIS DRAWING IS A CONTROLLED DOCUMENT. DIMENSIONING AND TOLERANCING PER ASME Y14.5M-2009		DWN T. DEWITTE 18FEB2011	 TE Connectivity CABLE SEAL, HVA280-3PM				
DIMENSIONS: mm		CHK T. DEWITTE 22FEB2011					
TOLERANCES UNLESS OTHERWISE SPECIFIED:		APVD T. DEWITTE 22FEB2011					
0 PLC ±- 1 PLC ±0.20 2 PLC ±0.16 3 PLC ±0.10 4 PLC ±- ANGLES ±2°		PRODUCT SPEC -					
MATERIAL - 2		FINISH -	APPLICATION SPEC -	SIZE A3	CAGE CODE 00779	DRAWING NO C-2103188	RESTRICTED TO -
Customer Drawing			WEIGHT -	SCALE 4:1	SHEET 1 OF 1	REV A1	