

| REVISIONS |      |                           |           |        |
|-----------|------|---------------------------|-----------|--------|
| P.        | LTN. | DESCRIPTION               | DATE      | APVD.  |
| C         |      | REV PER ECO 18-010457     | 7-24-18   | CT CJ  |
| D         |      | REVISED PER ECO-19-004671 | 26MAR2019 | DCB RL |

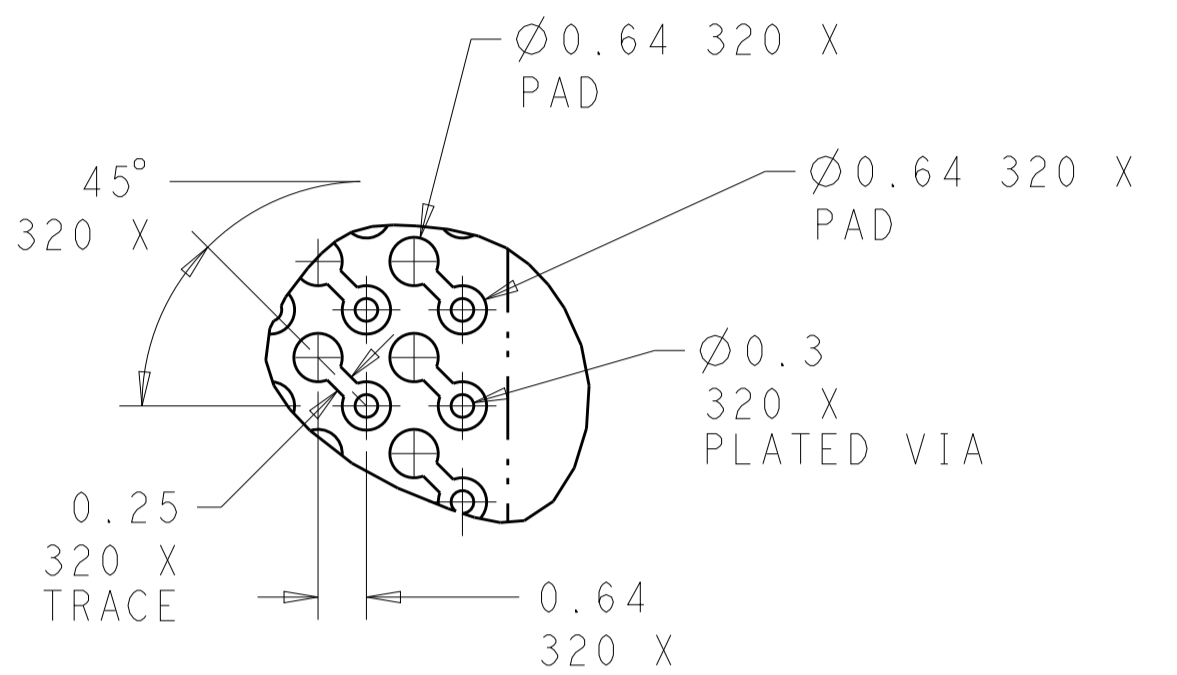
⚠ MATERIAL: HOUSINGS LCP, COLOR: NATURAL  
 CONTACT: PHOSPHOR BRONZE.  
 SOLDER BALL: SEE TABLE  
 FILM TAPE: KAPTON WITH SILICON ADHESIVE.

⚠ FINISH: CONTACTS: GOLD (SEE TABLE) ON MATING AREAS  
 NICKEL ON ENTIRE CONTACT.

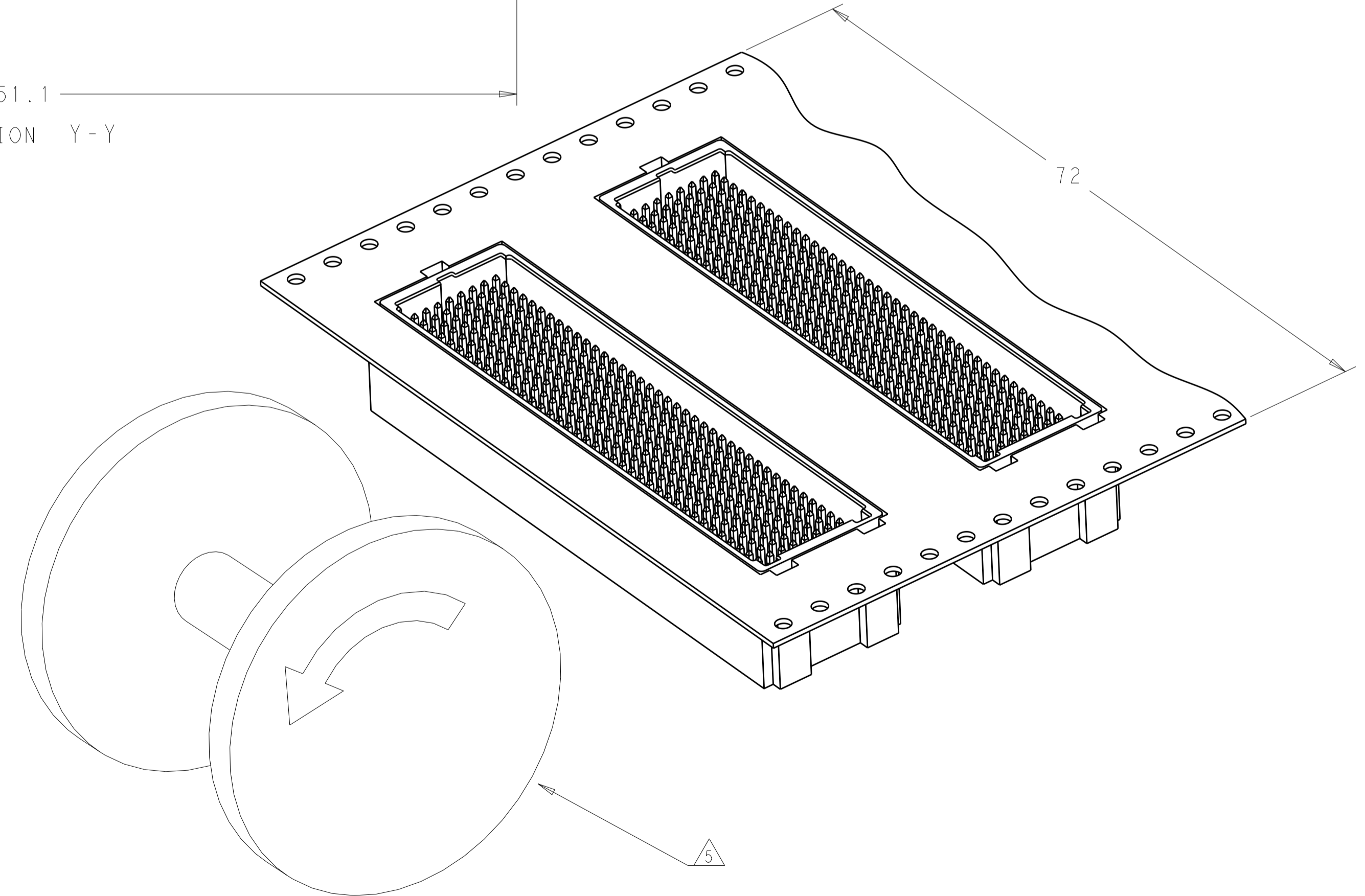
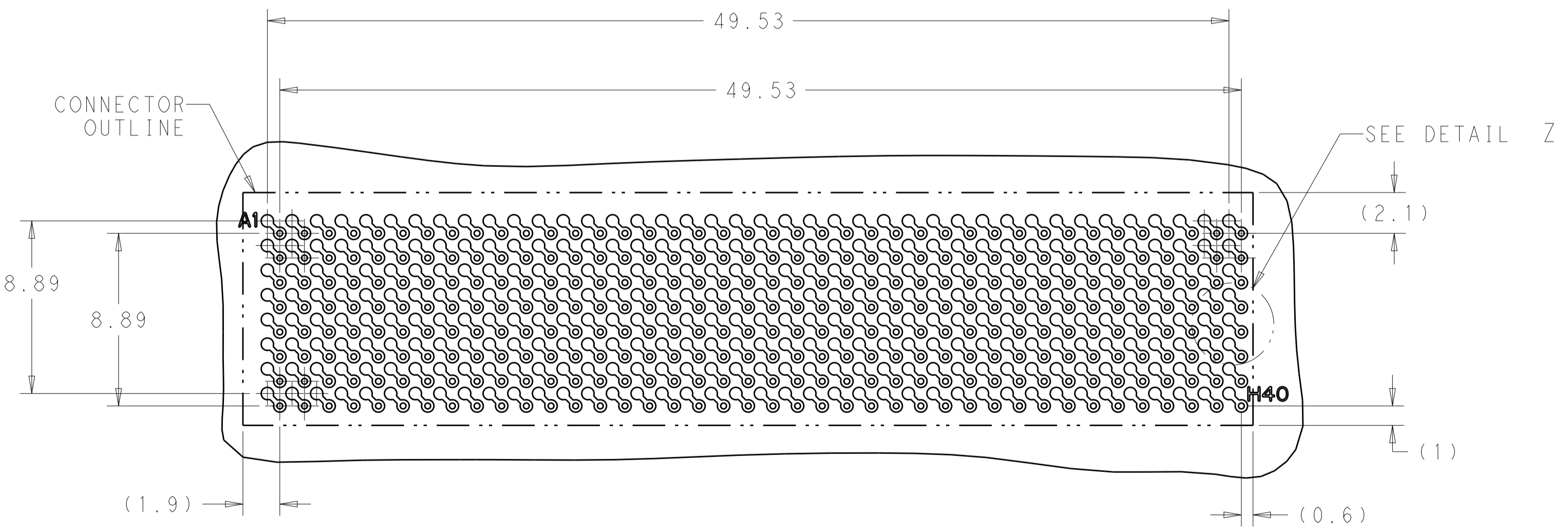
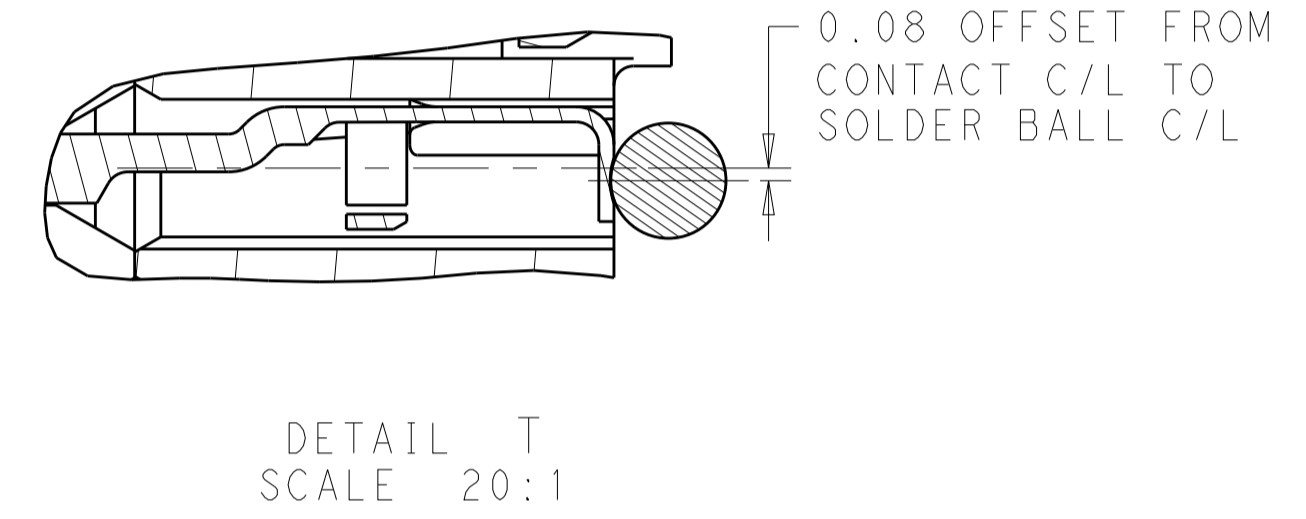
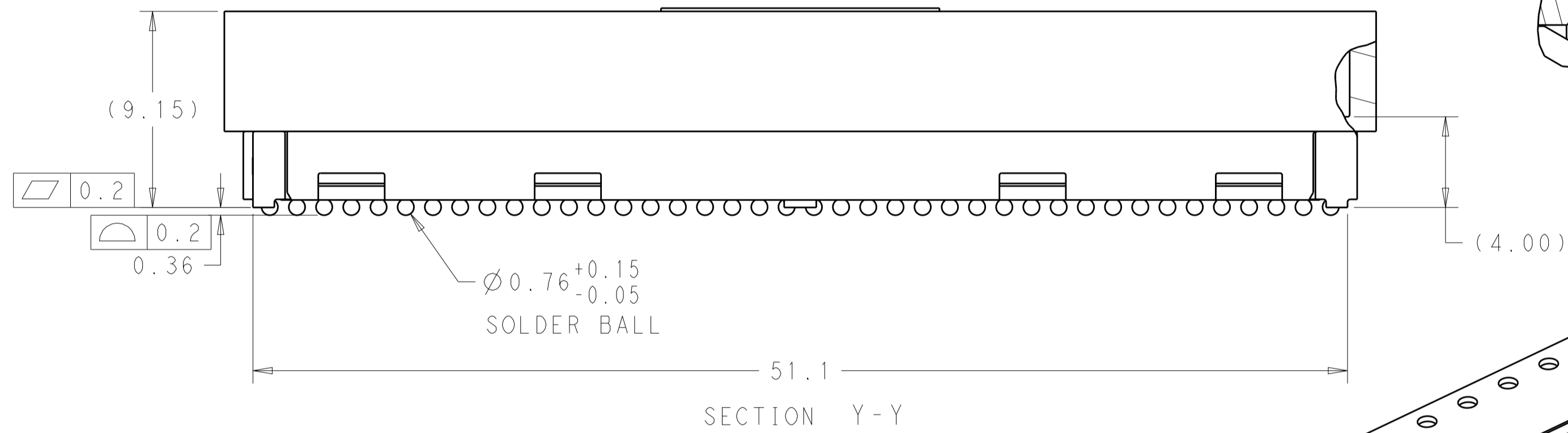
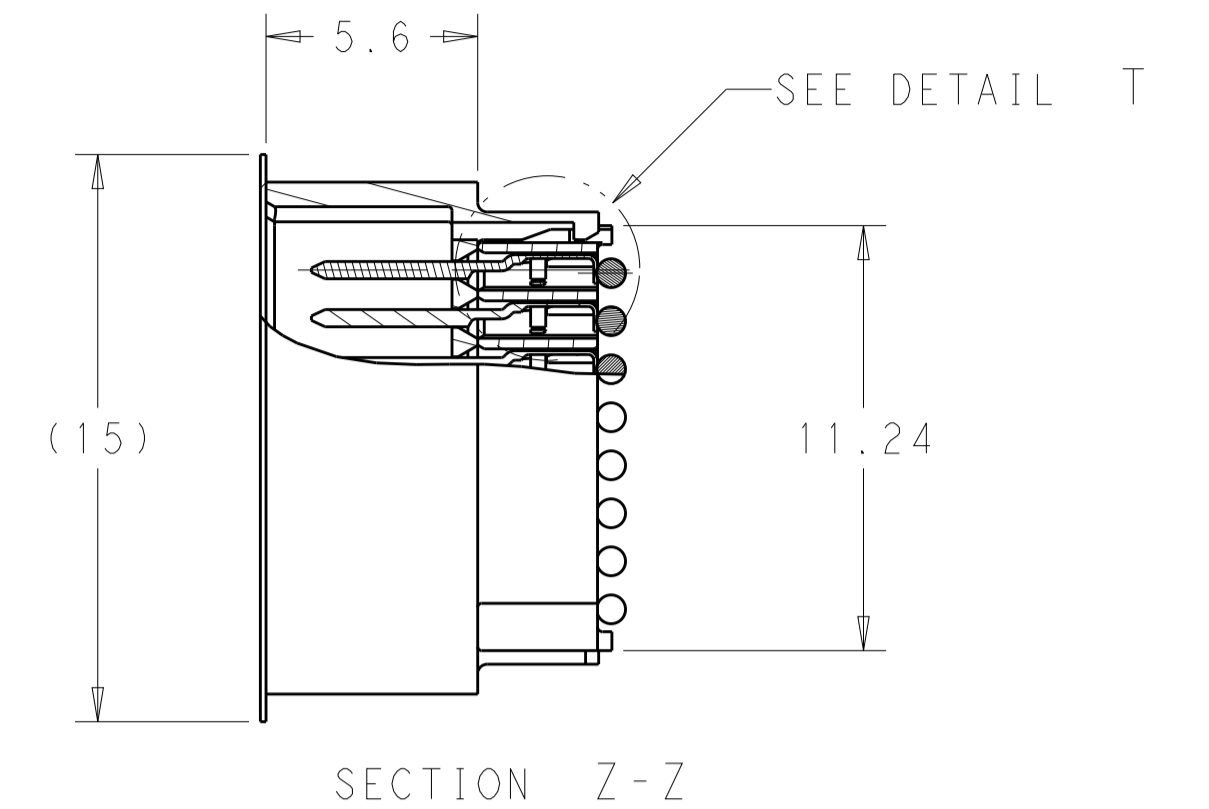
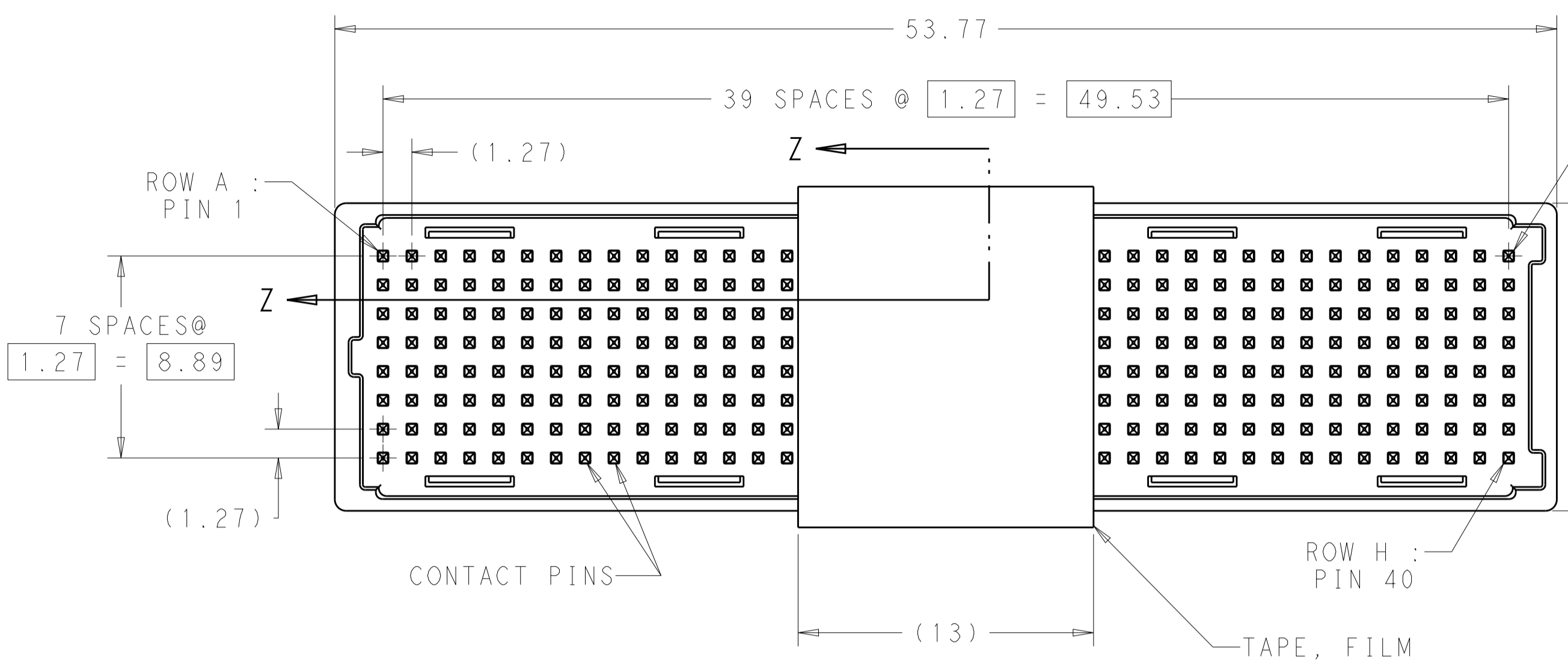
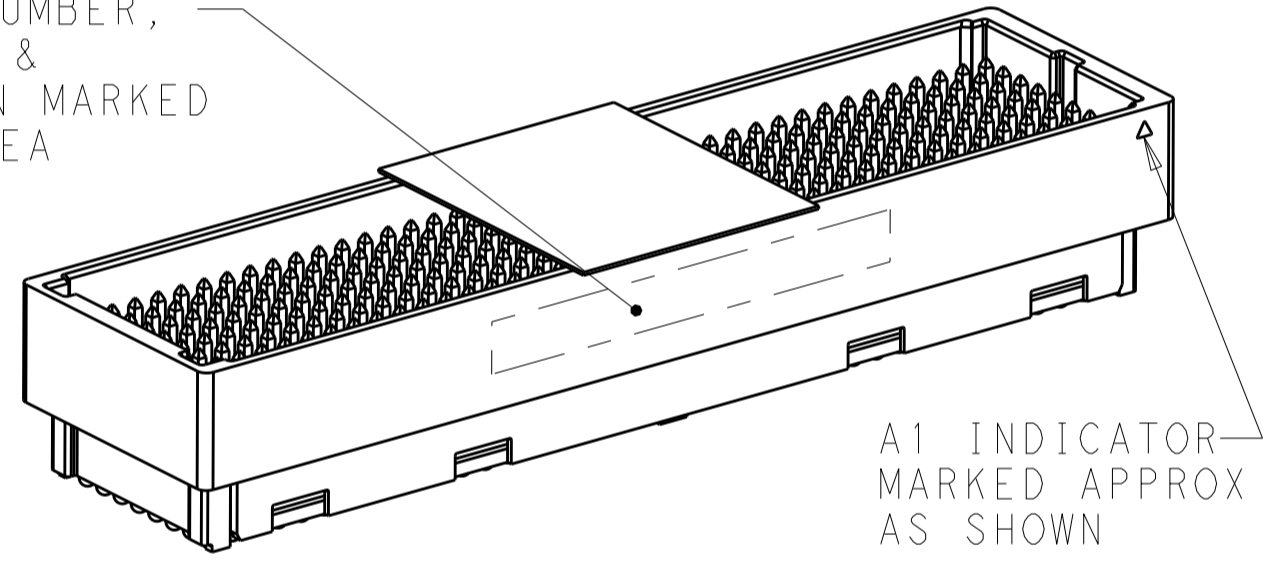
3. PRODUCT IS PACKAGED ON TAPE AND REELED.

⚠ PRELIMINARY PART.

⚠ DIAGRAM REPRESENTS THE REELING DIRECTION OF THE PACKAGED CONNECTORS. THERE ARE 10 EMPTY POCKETS AT THE BEGINNING OF THE REEL AND 15 EMPTY POCKETS AT THE END OF THE REEL.



ASSEMBLY PART NUMBER, DATE CODE & COUNTRY OF ORIGIN MARKED IN THIS AREA



|                             |                             |                             |                             |                        |                      |             |
|-----------------------------|-----------------------------|-----------------------------|-----------------------------|------------------------|----------------------|-------------|
| 1-2102430-2                 | 1-2102430-6                 | 2102430-8                   | 2102430-6                   | 0.76 μm                | LEAD FREE PER SAC405 | 2102429-4   |
| SUPERSEDED BY 2102429-1     | 1-2102430-1                 | 1-2102430-5                 | 2102430-7                   | 0.76 μm                | TIN LEAD             | 2102429-3   |
| SUPERSEDED BY 2102429-4     | 1-2102430-0                 | 1-2102430-4                 | 2102430-4                   | 1.27 μm                | LEAD FREE PER SAC405 | 2102429-2   |
|                             | 2102430-9                   | 1-2102430-3                 | 2102430-3                   | 1.27 μm                | TIN LEAD             | 2102429-1   |
| 18mm STACK MATING CONNECTOR | 15mm STACK MATING CONNECTOR | 12mm STACK MATING CONNECTOR | 10mm STACK MATING CONNECTOR | GOLD PLATING THICKNESS | SOLDER BALL MATERIAL | PART NUMBER |

THIS DRAWING IS A CONTROLLED DOCUMENT. DIMENSIONS: mm. TOLERANCES UNLESS OTHERWISE SPECIFIED: 0 PLC ±0.5, 1 PLC ±0.13, 2 PLC ±0.13, 3 PLC ±0.013, 4 PLC ±0.0001. MATERIAL: ⚠. FINISH: ⚠.

OWN: MCKIBBEN, JOHN. CHK: DOWHOWER, KENNETH. APVD: NAME: ASSEMBLY, PIN HOUSING XMC MEZZANINE 320 POSITION. PRODUCT SPEC: 108-2411. APPLICATION SPEC: 114-132776. WEIGHT: A100779. CUSTOMER DRAWING. SCALE: 5:1. SHEET: 1 OF 1. REV: D.