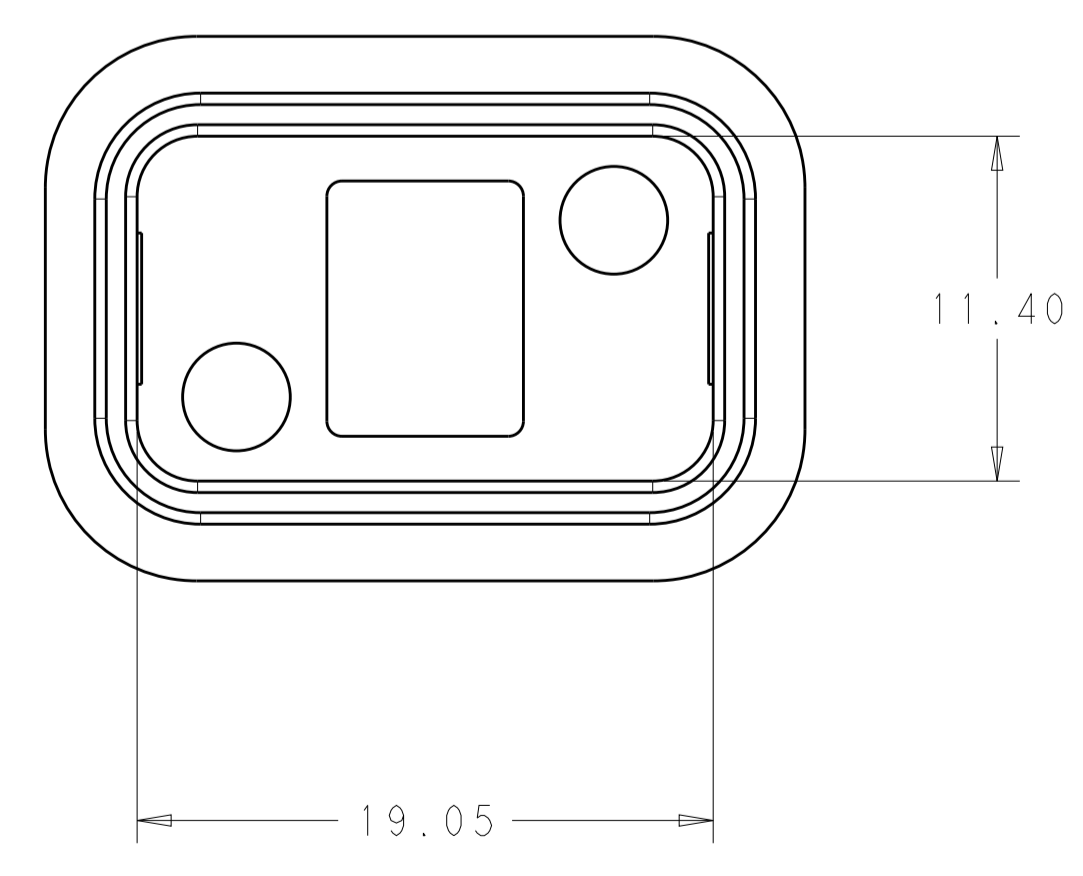
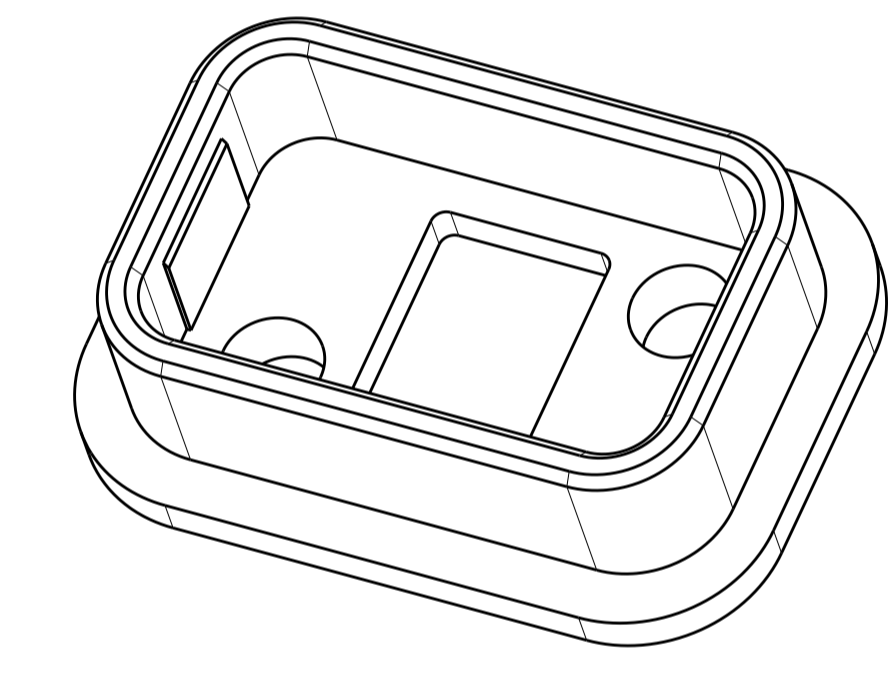
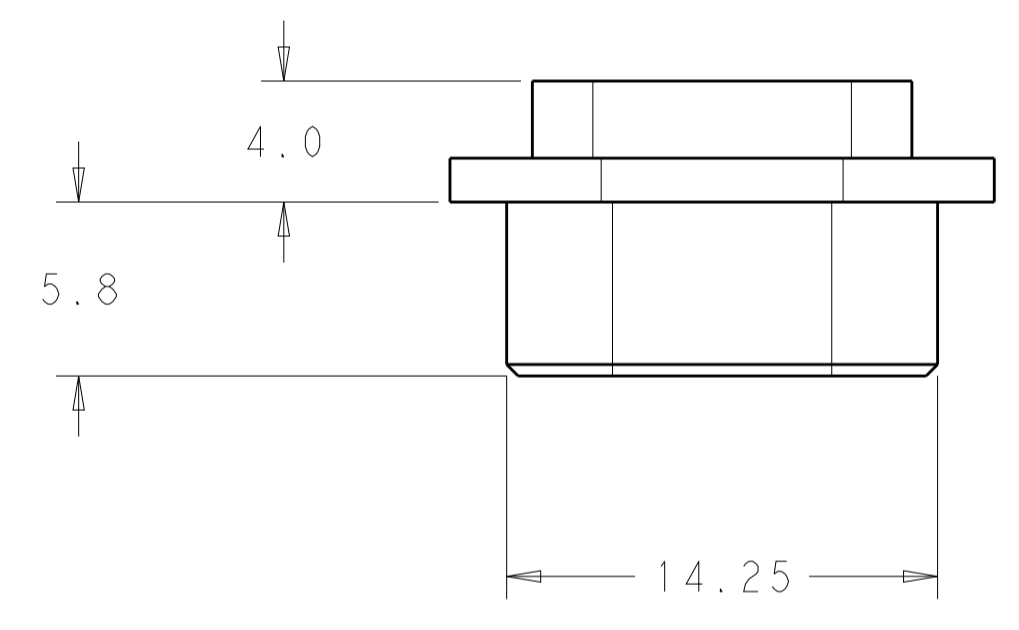
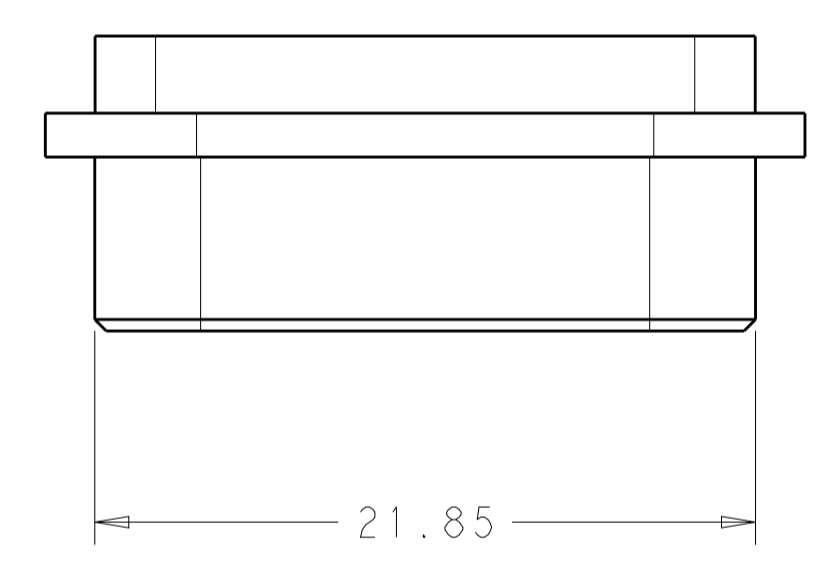
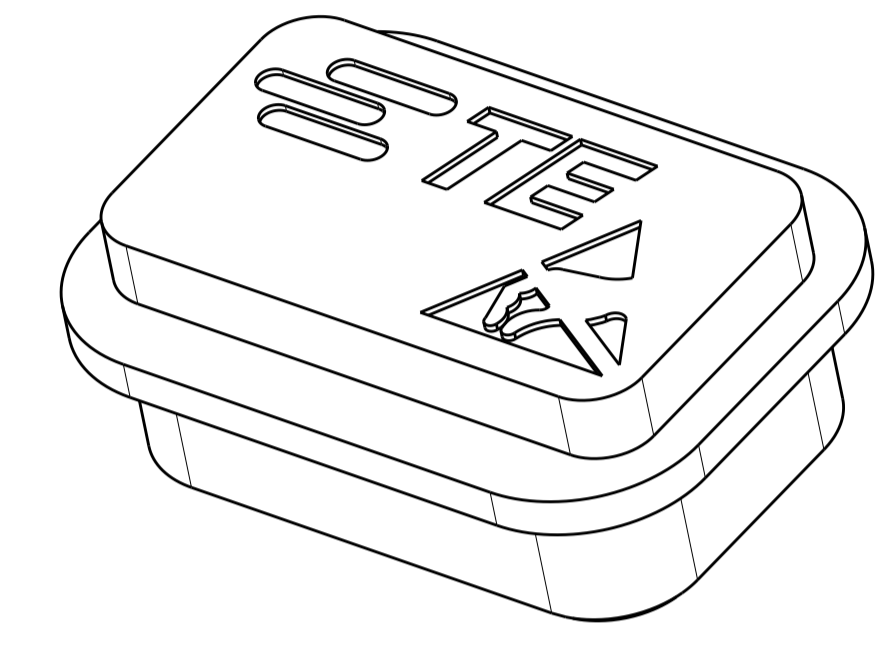
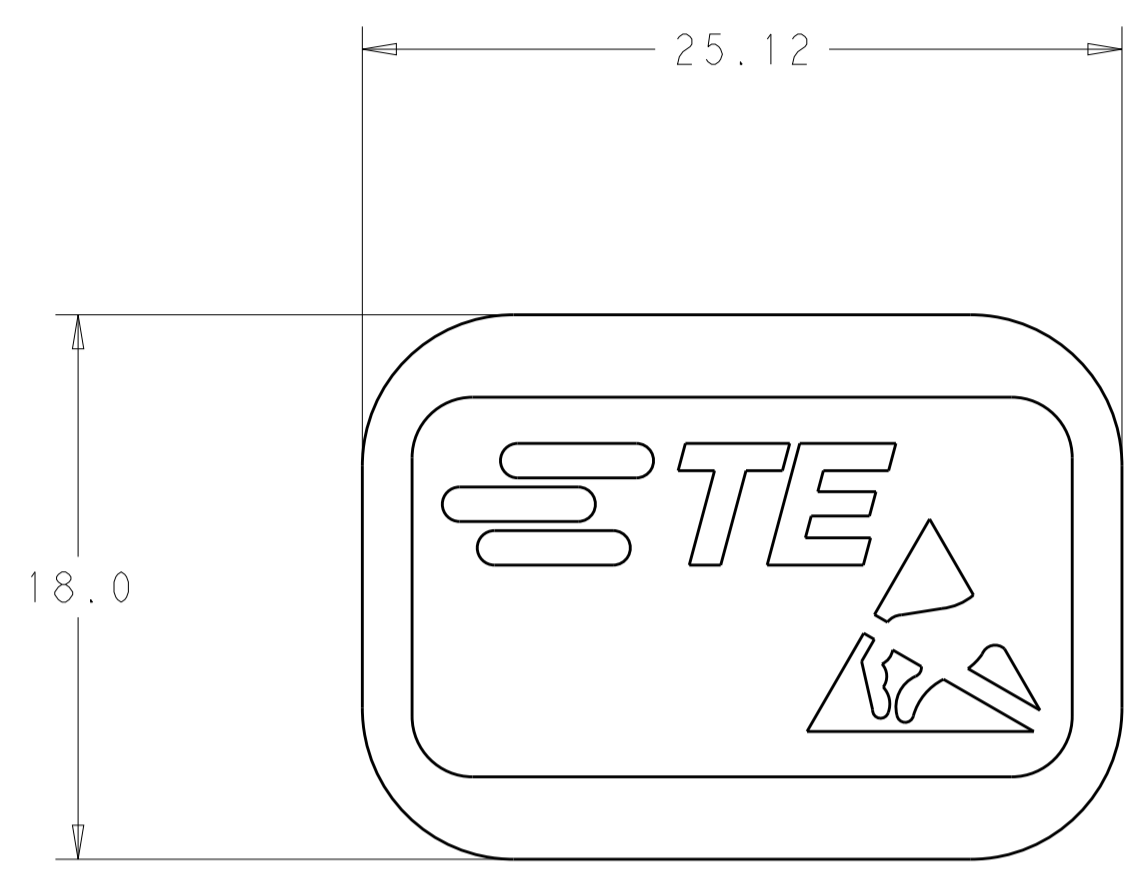


LOC		DIST		REVISIONS			
P	LTN	DESCRIPTION	DATE	DWN	APVD		
2		REVISED CONNECTOR FIT	13DEC2010	DF	JM		
3		UPDATED TE LOGOS	21MAR2011	DF	JM		
4		5.8 WAS 5.75, REVISED SHEET TOLERANCE	21MAY2013	DF	JM		
A		ECO-13-010049	18JUN2013	KG	DW		



⚠ MATERIAL: ANTI-STATIC THERMOPLASTIC ELASTOMER PER ASTM D5593, COLOR: BLACK.

2102321-1
 PART NUMBER

THIS DRAWING IS A CONTROLLED DOCUMENT. DIMENSIONING AND TOLERANCING PER ASME Y14.5M-2009.		DWN: D. FABIAN 16SEP2010	STE Connectivity	
DIMENSIONS: mm		CHK: -	NAME: DUST COVER VITA 66.1 - STYLE	
TOLERANCES UNLESS OTHERWISE SPECIFIED:		APVD: -	PRODUCT SPEC: -	
0 PLC ±		APPLICATION SPEC: -		
1 PLC ±0.2		SIZE: A1		
2 PLC ±0.20		CAGE CODE: 00779		
3 PLC ±		DRAWING NO: 2102321		
4 PLC ±		RESTRICTED TO: -		
ANGLES ±		WEIGHT: -		
FINISH: -		SCALE: 4:1		
MATERIAL: ⚠		SHEET: 1 OF 1		
Customer Drawing		REV: A		