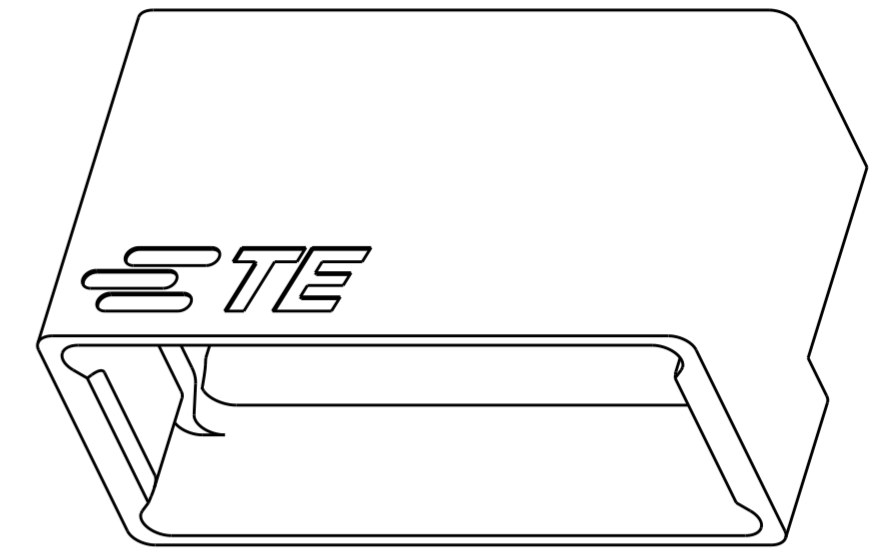
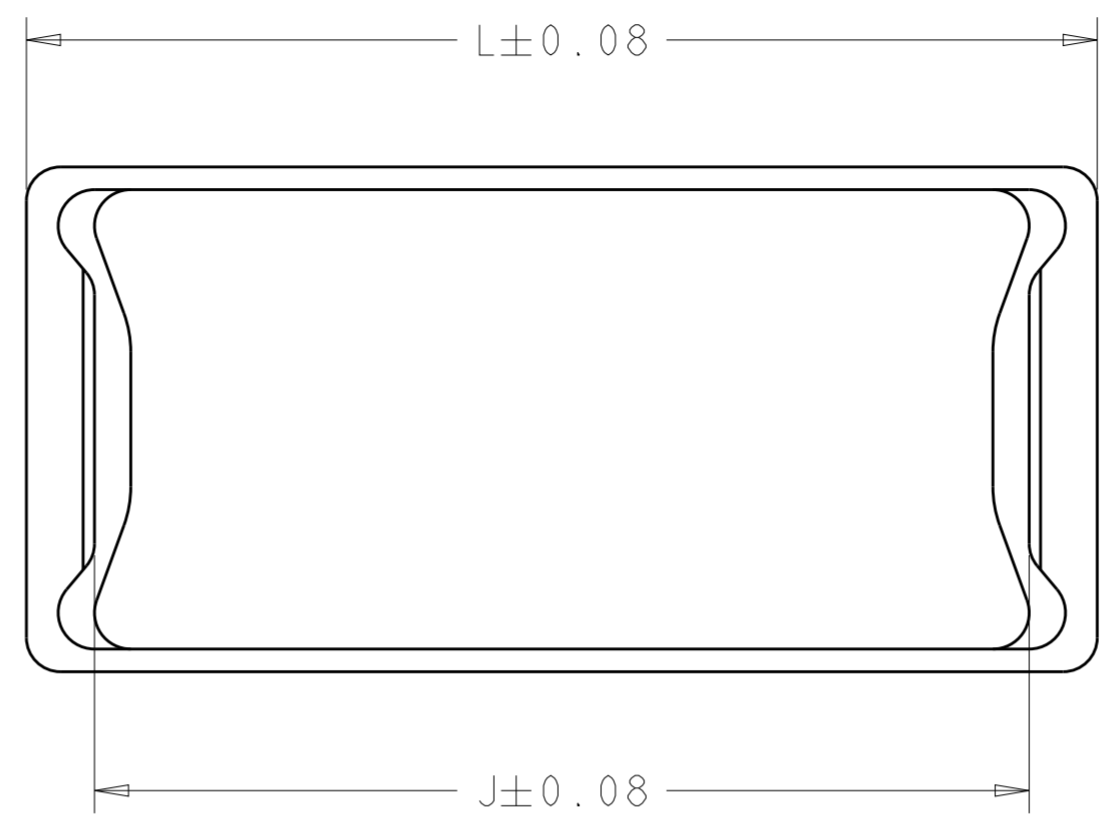
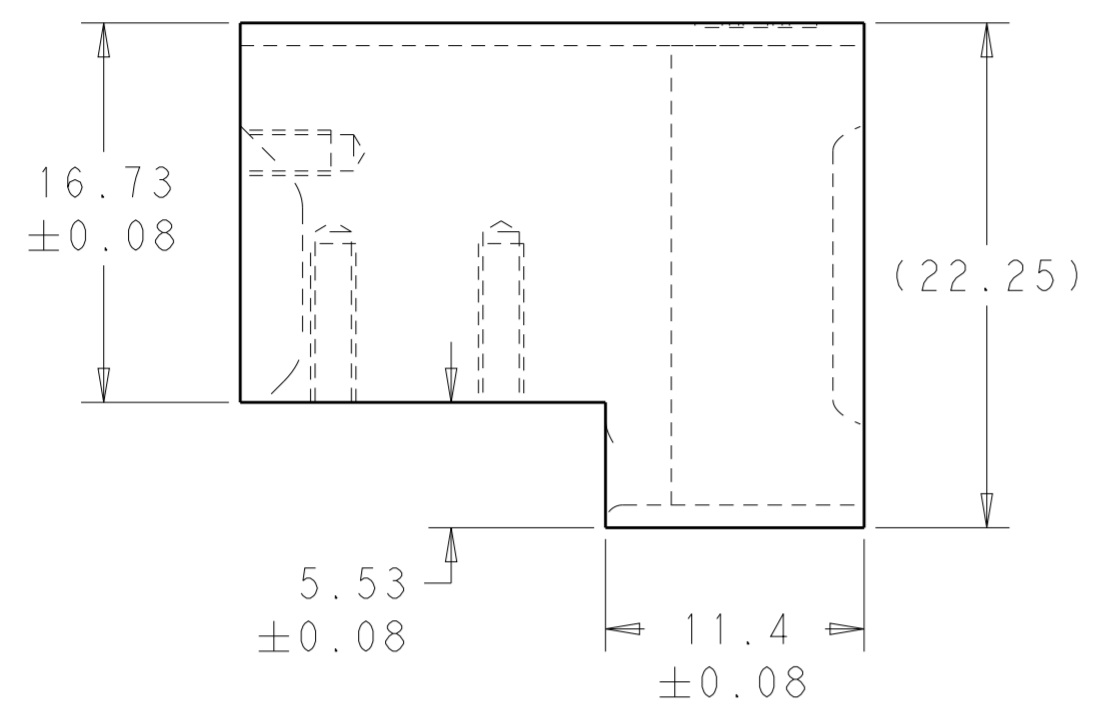


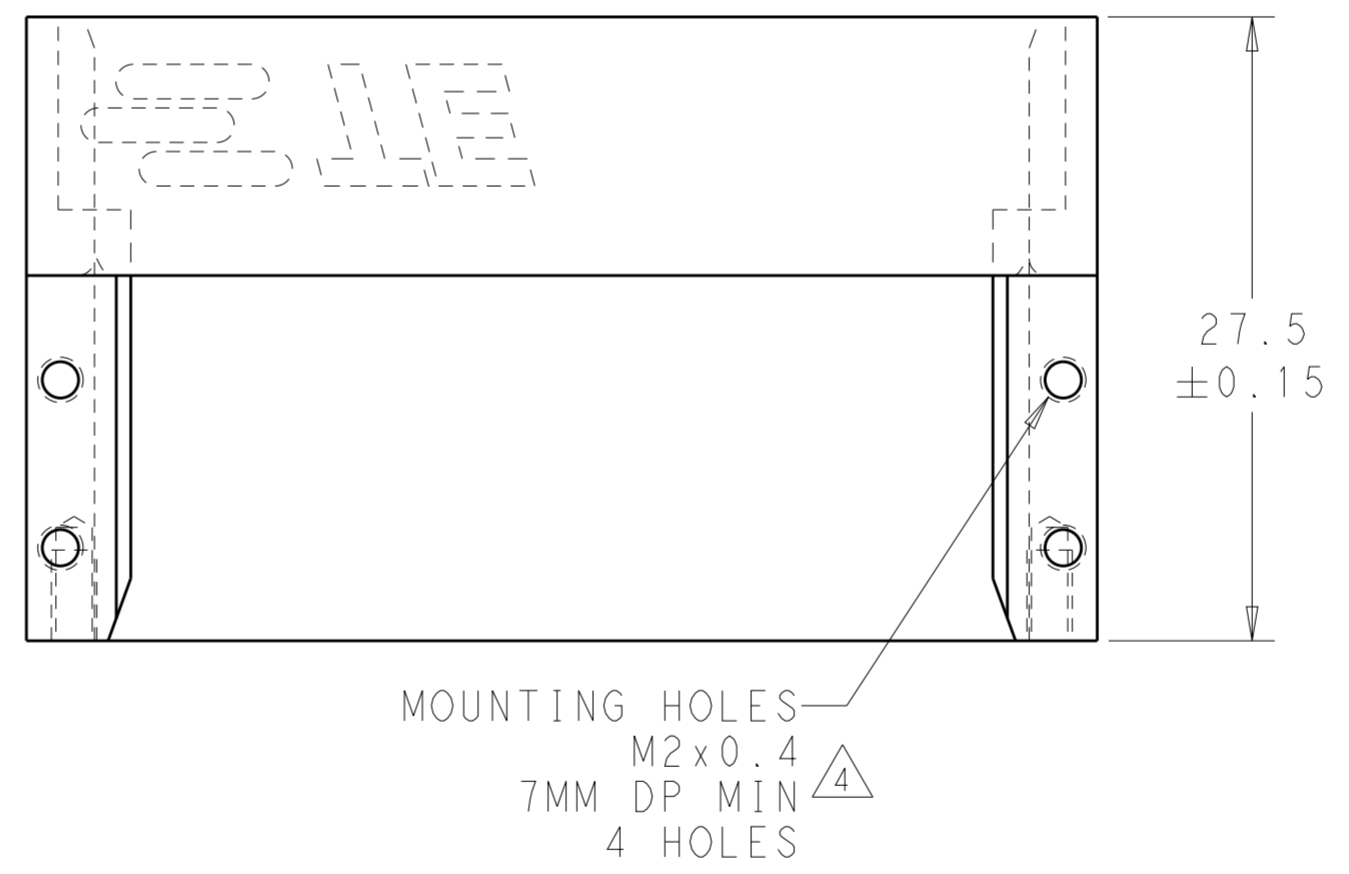
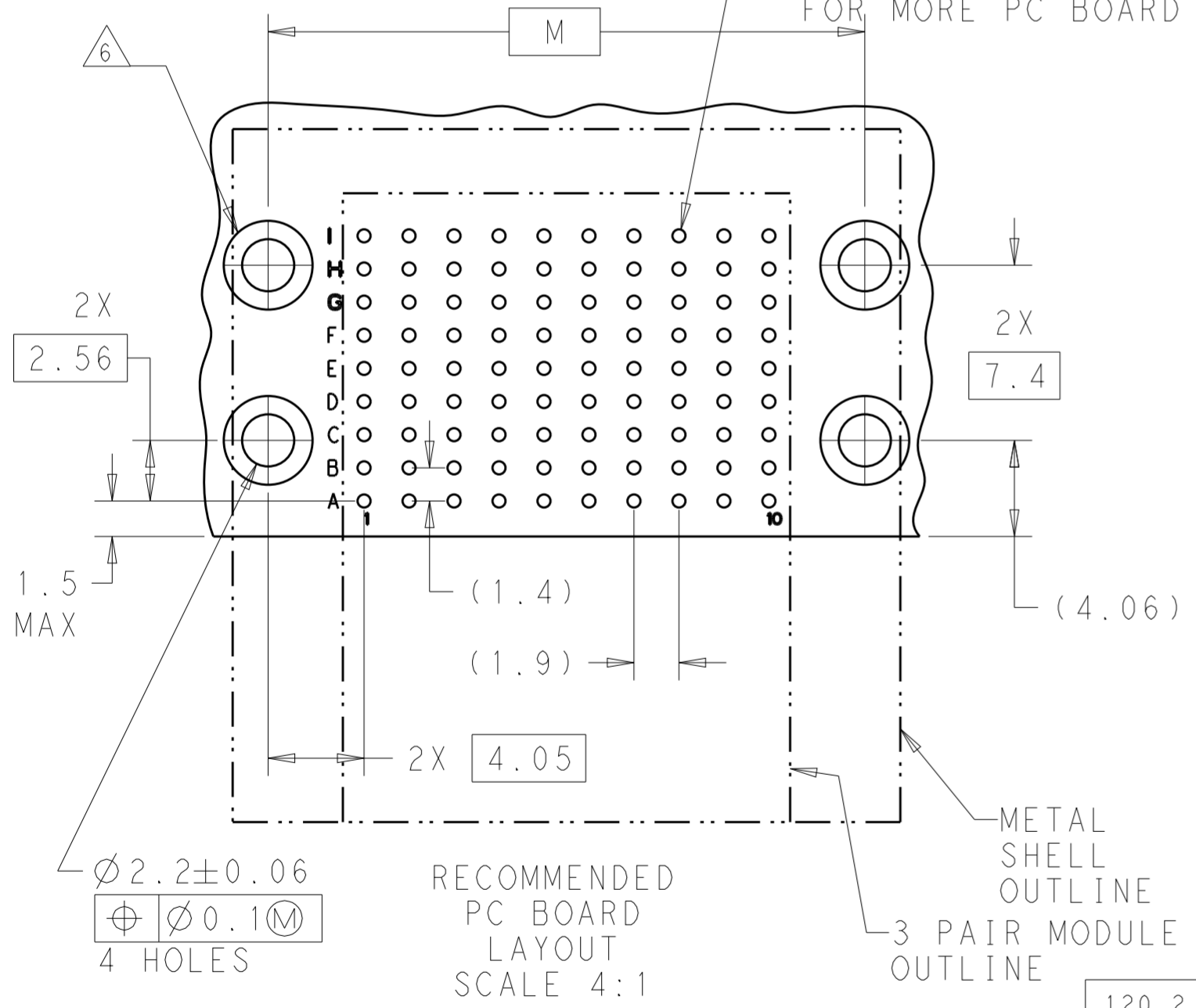
THIS DRAWING IS UNPUBLISHED. RELEASED FOR PUBLICATION 20
 © COPYRIGHT 20 BY - ALL RIGHTS RESERVED.

| REVISIONS | | | | | | | |
|-----------|------|---|-----|-------------------------------|-----------|-----|------|
| LOC | DIST | P | LTR | DESCRIPTION | DATE | DWN | APVD |
| - | - | 1 | | DRAWN | 10AUG2012 | NPR | NPR |
| | | 2 | | ADDED INFO TO TITLE BLOCK | 30AUG2012 | NPR | NPR |
| | | 3 | | UPDATED TO SHOW LOGO | 03JAN2013 | NPR | NPR |
| | | 4 | | CHANGED PCB LAYOUT DIM SCHEME | 13MAR2013 | NPR | NPR |



SCALE 2:1

SEE APP SPEC 114-13267 AND CUSTOMER DRAWING 2000891 FOR MORE PC BOARD DETAILS



MOUNTING HOLES
 M2x0.4
 7MM DP MIN
 4 HOLES

- 1 MATERIAL: ALUMINUM, 6061, TEMPER T6
- 2 FINISH: TRIVALENT CHROMATE CONVERSION COATING PER MIL-DTL-5541, TYPE II, CLASS 3.
- 3. FOR USE WITH 3-PAIR FORTIS Zd CENTER MODULES 2000891, 2000903, 2102315, 2102316 ONLY (NOT INCLUDED).
- 4 PCB MOUNTING HARDWARE NOT INCLUDED. SCREW LENGTH DEPENDENT ON PCB THICKNESS
- 5. INSTRUCTION SHEET: 408-32056
- 6 ANNULAR RINGS PLATED AROUND ALL 4 MOUNTING HOLE LOCATIONS ON TOP AND BOTTOM OF PCB

THIS PRINT IS
PRELIMINARY
 UNQUALIFIED PRODUCT
 CONTACT PRODUCT ENGINEERING
 BEFORE USING THIS PRINT

| | | | | | |
|-------|-------|-------|------------|-------------------|-------------|
| 120.2 | 123.2 | 117.2 | 21.9 | 60 | 1-2102070-2 |
| 101.2 | 104.2 | 98.2 | 19.9 | 50 | 1-2102070-0 |
| 82.2 | 85.2 | 79.2 | 17.9 | 40 | 2102070-8 |
| 63.2 | 66.2 | 60.2 | 15.9 | 30 | 2102070-6 |
| 44.2 | 47.2 | 41.2 | 13.9 | 20 | 2102070-4 |
| 25.2 | 28.2 | 22.2 | 11.9 | 10 | 2102070-2 |
| M | L | J | WEIGHT (g) | NUMBER OF COLUMNS | PART NUMBER |

THIS DRAWING IS A CONTROLLED DOCUMENT.

| | | | |
|-------------|--|------------------|--------------|
| DIMENSIONS: | TOLERANCES UNLESS OTHERWISE SPECIFIED: | DWN | 10AUG2012 |
| mm | 0 PLC ± | CHK | N.P. RUFFINI |
| | 1 PLC ±0.5 | APVD | N.P. RUFFINI |
| | 2 PLC ±0.13 | APVD | N.P. RUFFINI |
| | 3 PLC ±0.013 | PRODUCT SPEC | 108-2409 |
| | 4 PLC ±0.0001 | APPLICATION SPEC | 114-13267 |
| MATERIAL | FINISH | WEIGHT | TABLE |
| 1 | 2 | Customer Drawing | SCALE 3:1 |

| | | | |
|--|-----------|-----------------|---------------|
| STE | | TE Connectivity | |
| NAME SHELL, FORTIS Zd, 3-PAIR, METAL SHELL | | | |
| SIZE | CAGE CODE | DRAWING NO | RESTRICTED TO |
| A2 | 00779 | C-2102070 | - |
| SHEET 1 OF 1 | | REV 4 | |