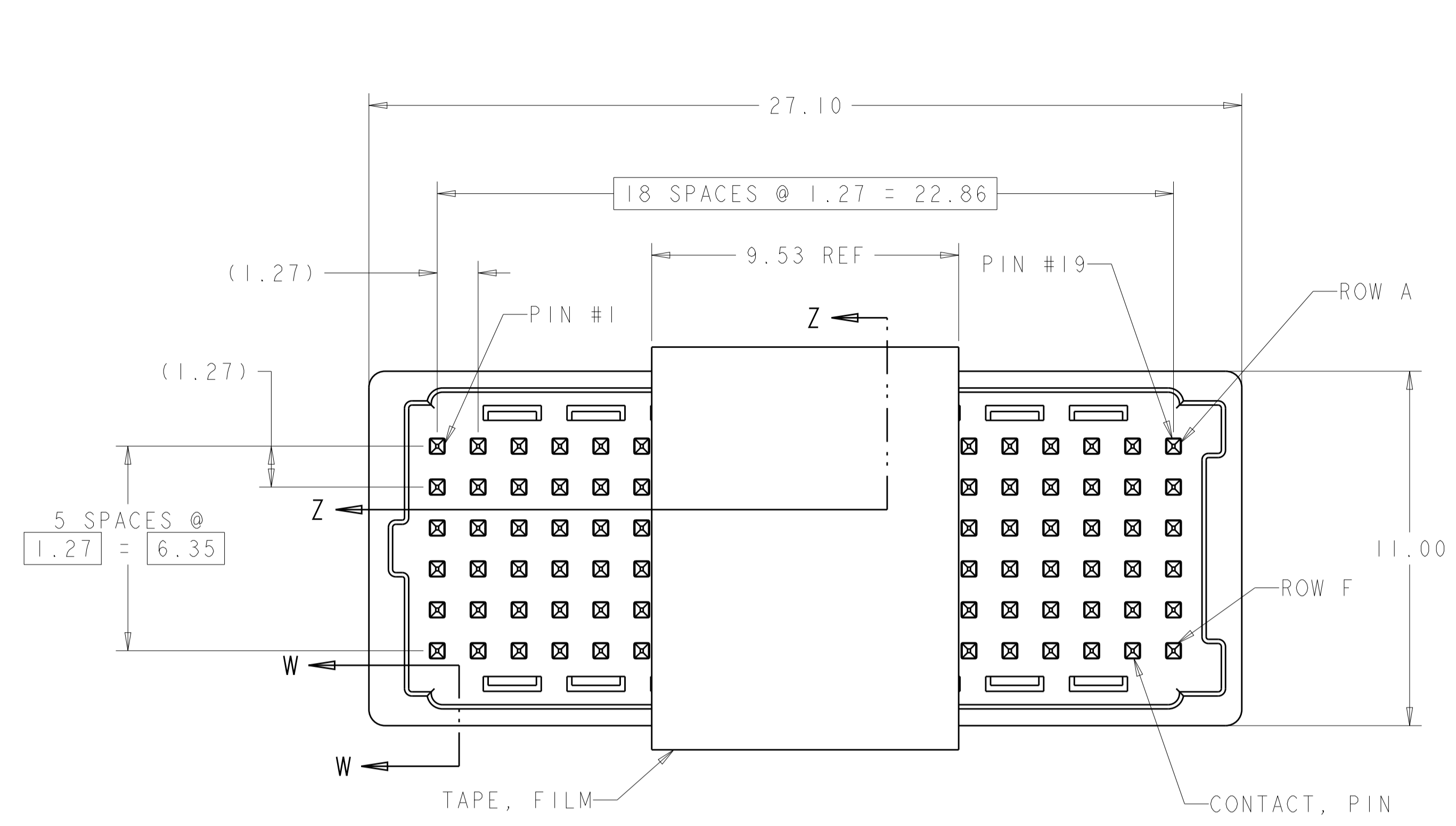
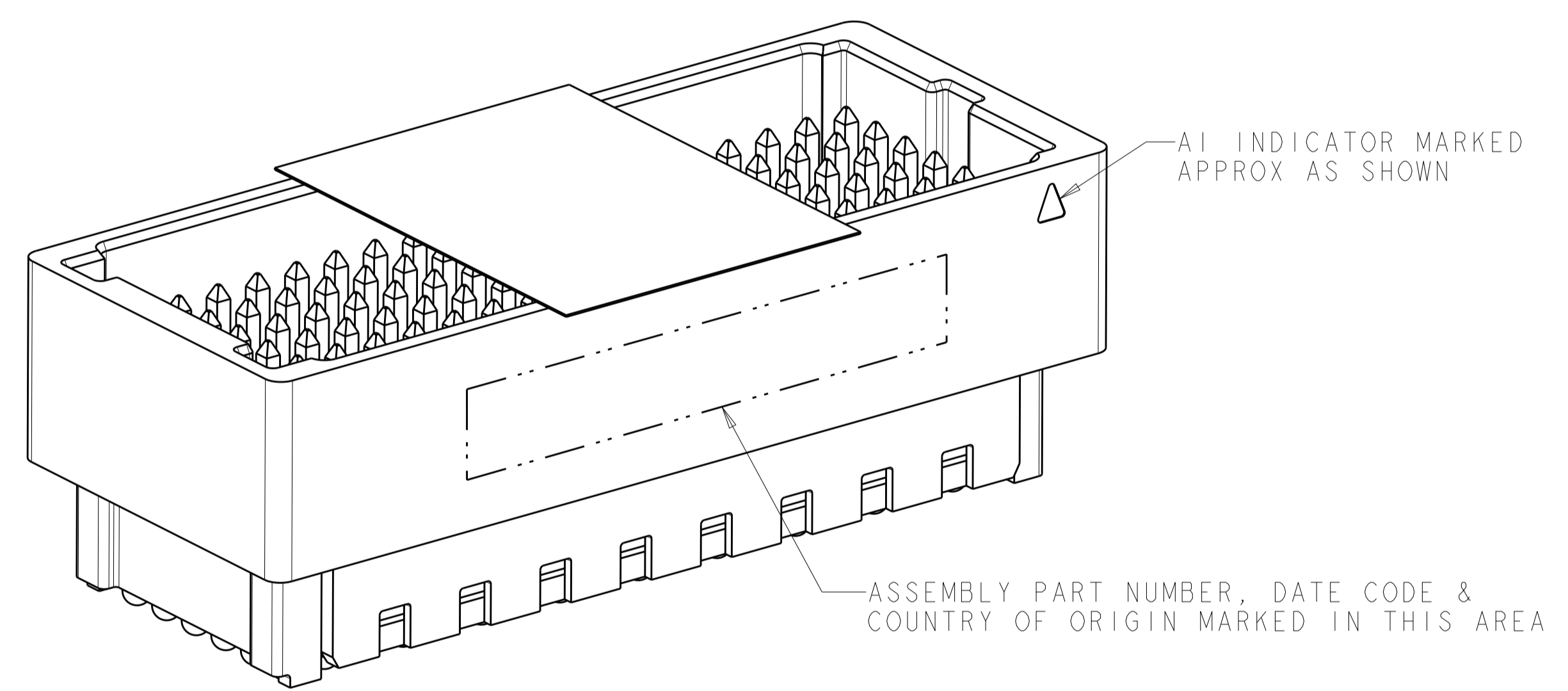
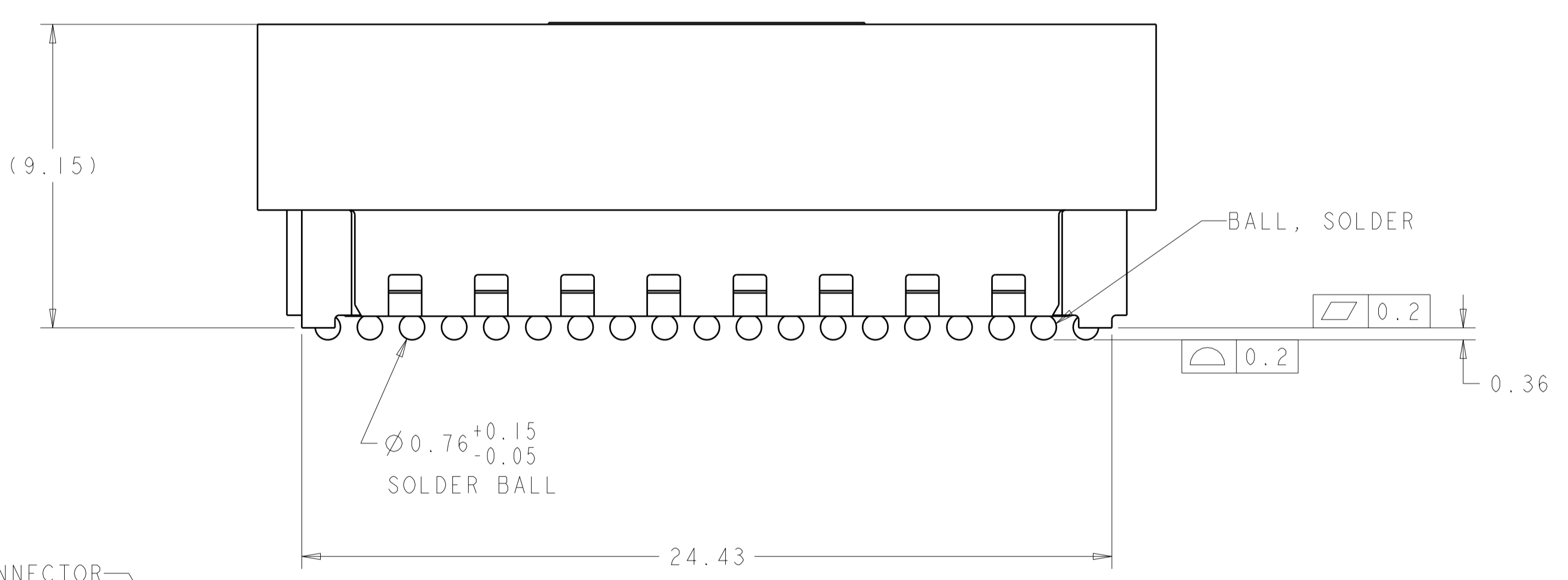
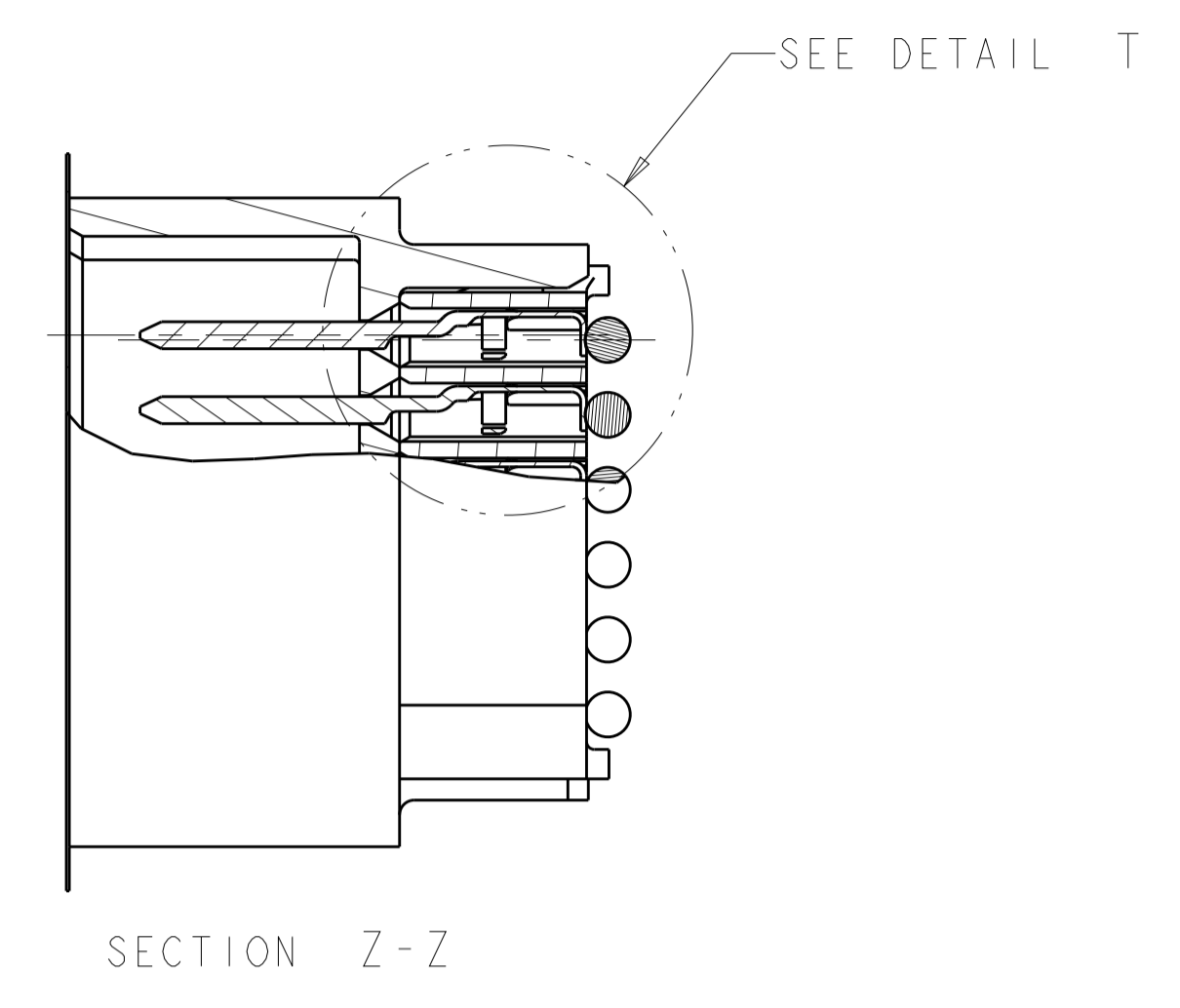
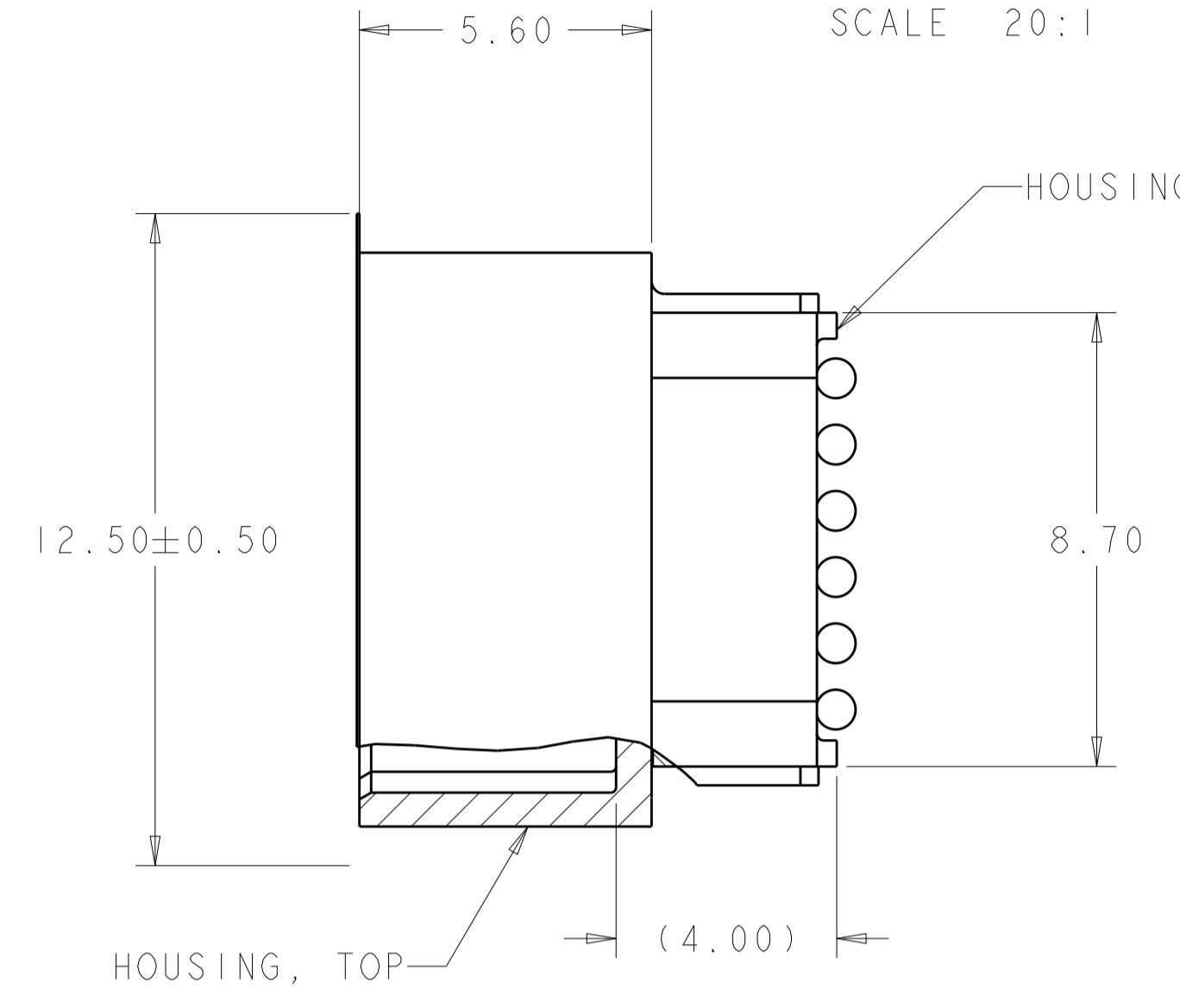
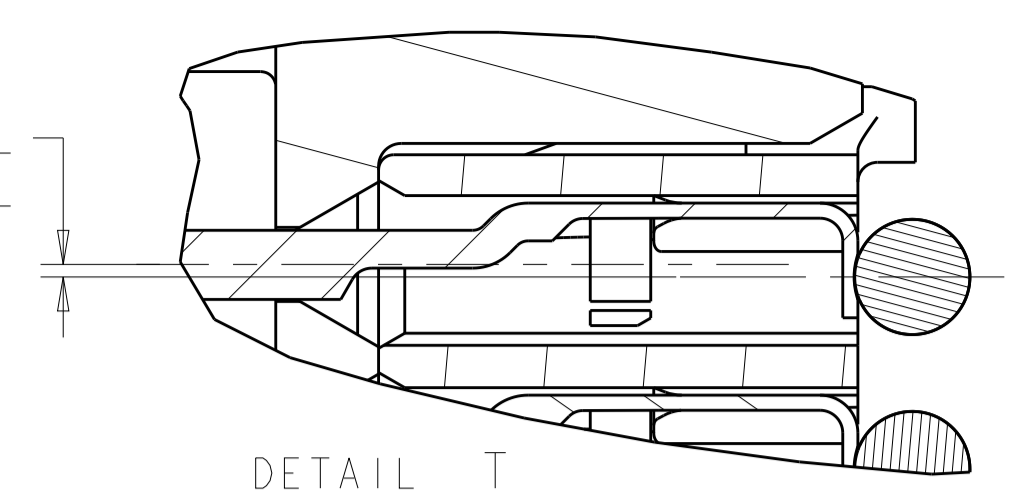


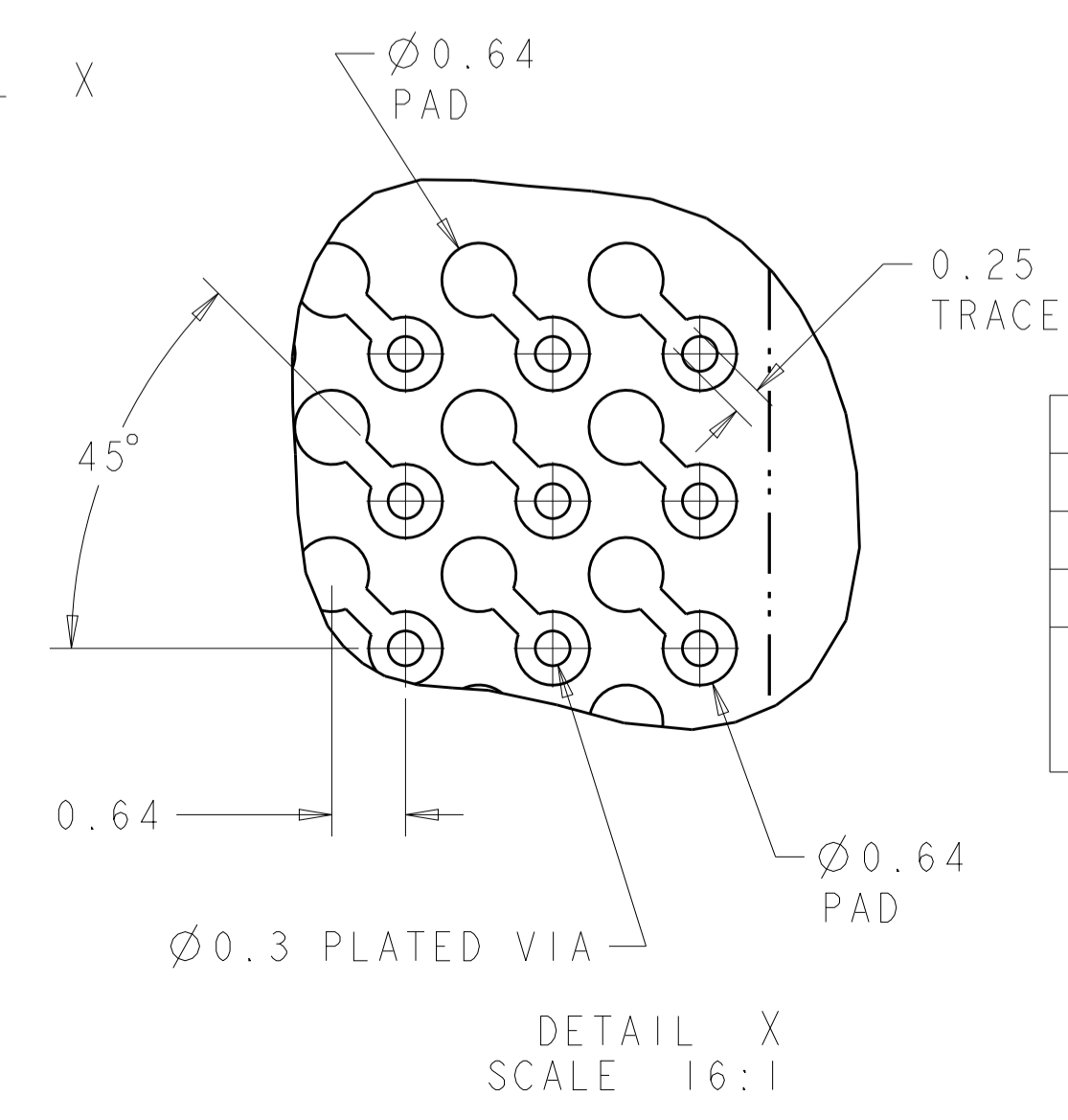
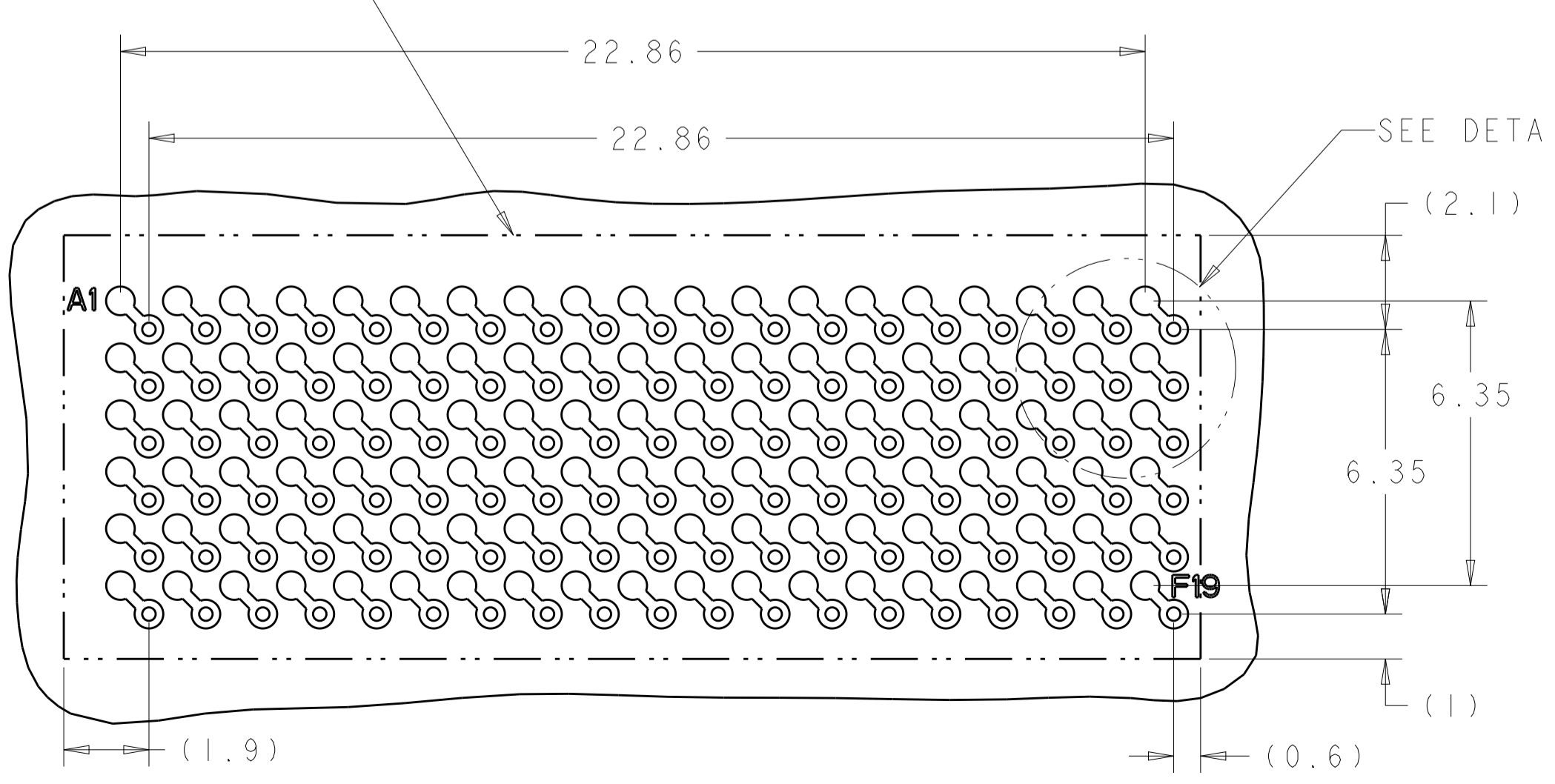
REVISIONS					
REV	DATE	BY	CHKD	APPV	DESCRIPTION
K	1-24-18	CT	JC		REV PER ECO 18-010457
L	26MAR2019	DCB	RL		REVISED PER ECO-19-004671



0.08 OFFSET FROM CONTACT C/L TO SOLDER BALL C/L



- △ MATERIAL: HOUSINGS; LCP, COLOR-NATURAL CONTACT; PHOSPHOR BRONZE SOLDER BALL; SEE TABLE TAPE, FILM; KAPTON WITH SILICON ADHESIVE
- △ FINISH: CONTACT; GOLD (SEE TABLE) ON MATING AREA OVER NICKEL ON ENTIRE CONTACT.
- 3. PRODUCT IS PACKAGED ON TAPE AND REELED.



Part No.	Part No.	Part No.	Part No.	Lead Free	Material	Part No.
1-2102061-6	1-2102061-2	2102061-8	2102061-6	0.76 µm	LEAD FREE PER SAC405	2102060-4
1-2102061-5	1-2102061-1	2102061-7	2102061-5	0.76 µm	TIN LEAD	2102060-3
1-2102061-4	1-2102061-0	2102061-4	2102061-2	1.27 µm	LEAD FREE PER SAC405	2102060-2
1-2102061-3	2102061-9	2102061-3	2102061-1	1.27 µm	TIN LEAD	2102060-1
15mm STACK HEIGHT MATING CONNECTOR	18mm STACK HEIGHT MATING CONNECTOR	12mm STACK HEIGHT MATING CONNECTOR	10mm STACK HEIGHT MATING CONNECTOR	GOLD PLATING THICKNESS	SOLDER BALL MATERIAL	PART NUMBER

THIS DRAWING IS A CONTROLLED DOCUMENT.

OWN: G. DOWNEY 21JUL2009
 CHK: K. DOWHOWER 21JUL2009
 APPV: K. DOWHOWER 21JUL2009

DIMENSIONS: mm
 TOLERANCES UNLESS OTHERWISE SPECIFIED:
 0 PLC ±
 1 PLC ±0.13
 2 PLC ±
 3 PLC ±
 4 PLC ±
 ANGLES ±

MATERIAL: 1
 FINISH: 2

TE Connectivity

NAME: ASSEMBLY, PIN, 114 POSITION, MEZALOK STACKING CONNECTOR

SIZE: A1
 CAGE CODE: 108-2411
 DRAWING NO: 114-13279
 SCALE: 8:1

RESTRICTED TO: L