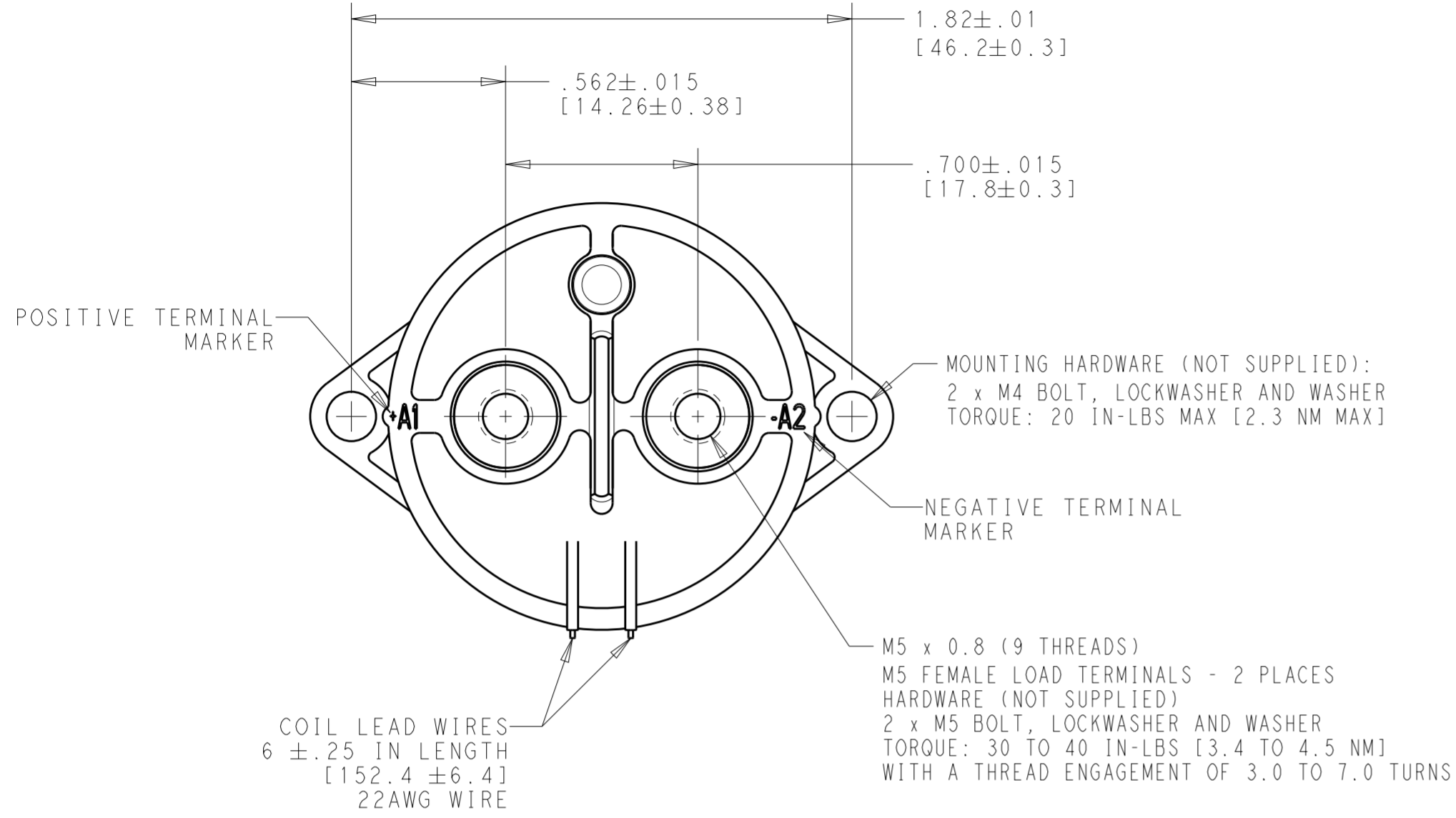
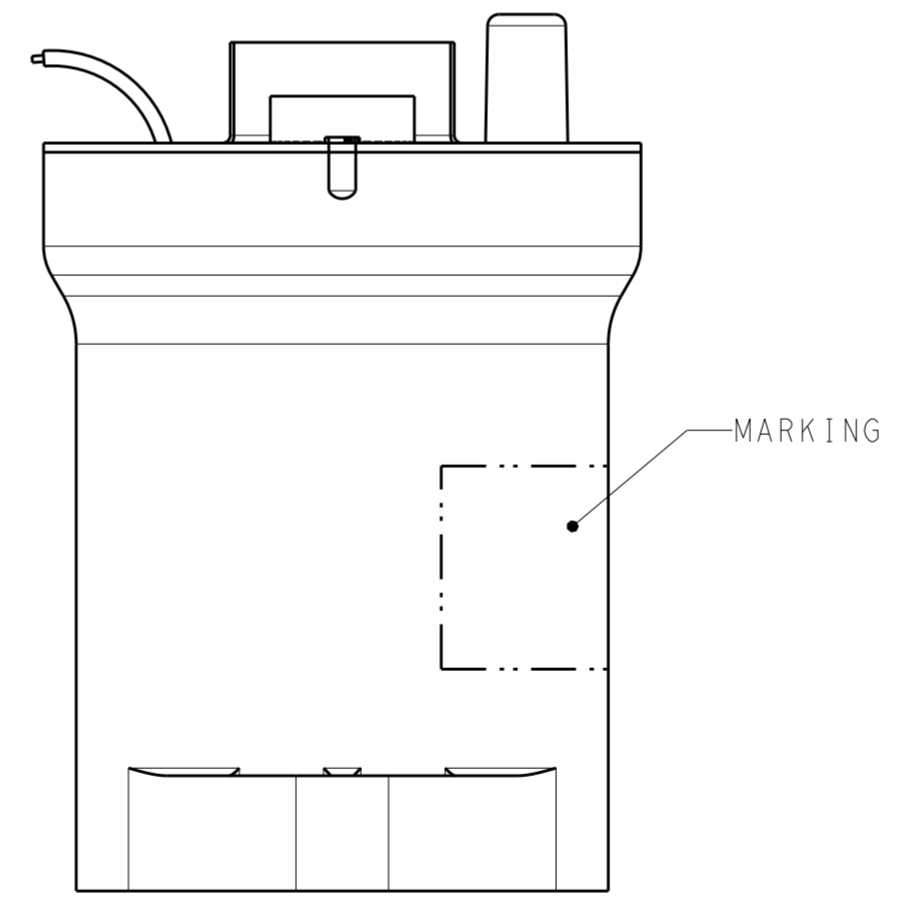
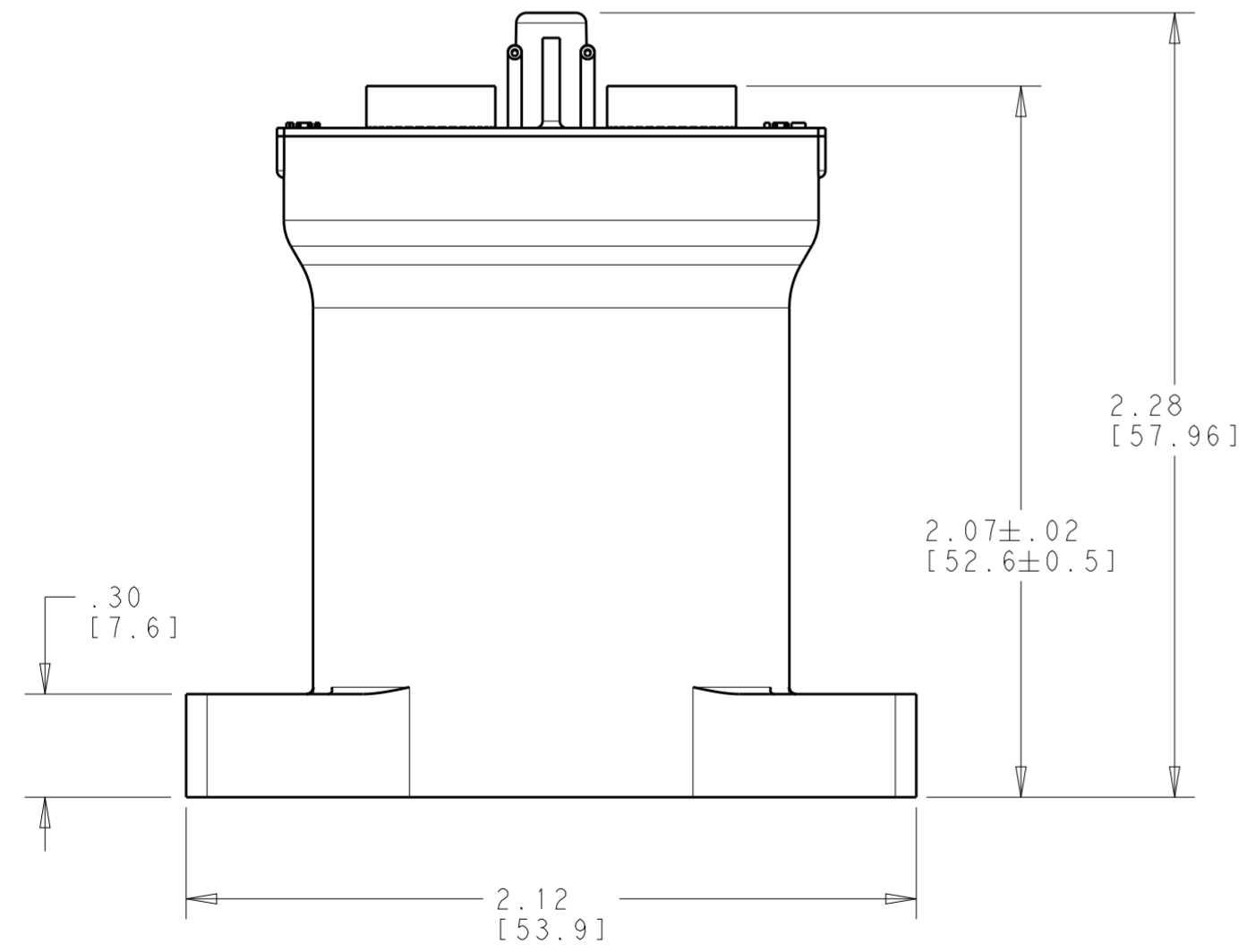


THIS DRAWING IS UNPUBLISHED. RELEASED FOR PUBLICATION 20
 © COPYRIGHT 20 BY - ALL RIGHTS RESERVED.

LOC	DIST	REVISIONS			
P	LTR	DESCRIPTION	DATE	DWN	APVD
FX	00				
	C1	REVISED PER ECO-11-025178	15DEC2011	DD	TB
	C2	REVISED PER ECO-12-012319	03JUL2012	DD	TB
	D	REVISED PER ECO-13-010454	28JUN2013	DD	TB



- 8.4mm² CONDUCTOR. CURRENT RATING DEPENDS UPON CONDUCTOR SIZE. KEEP TERMINALS BELOW 150°C MAXIMUM CONTINUOUS.
- 3 MINUTES @ +40°C AMBIENT WITH 8.4mm² (#8AWG) CONDUCTOR.



2098371-1
 TE
 PART NUMBER

THIS DRAWING IS A CONTROLLED DOCUMENT.		DWN D. DRUMMOND 22FEB2011	TE Connectivity		
DIMENSIONS: INCHES [mm]		CHK A. LEE 22FEB2011			
		APVD A. LEE 22FEB2011	NAME EVC135 RELAY, 12VDC SPST-NO		
TOLERANCES UNLESS OTHERWISE SPECIFIED: 0 PLC ± 1 PLC ±0.3 2 PLC ±0.13 3 PLC ± 4 PLC ± ANGLES ±1° FINISH		PRODUCT SPEC -	SIZE A200779	CAGE CODE C-2098371-1	RESTRICTED TO -
MATERIAL -		APPLICATION SPEC -	SCALE 2:1 SHEET 1 OF 1 REV D		
CUSTOMER DRAWING		WEIGHT -			