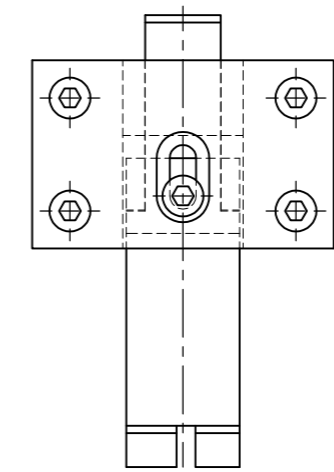
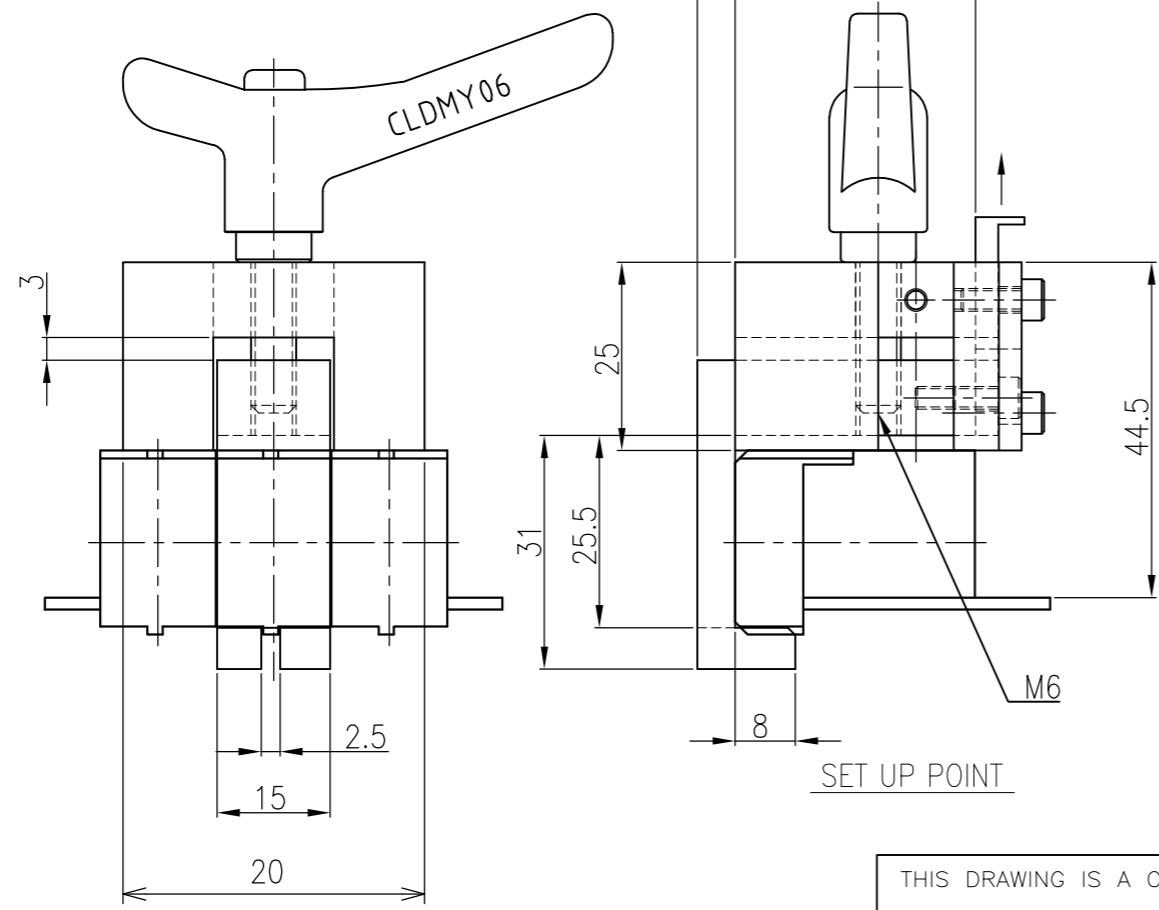
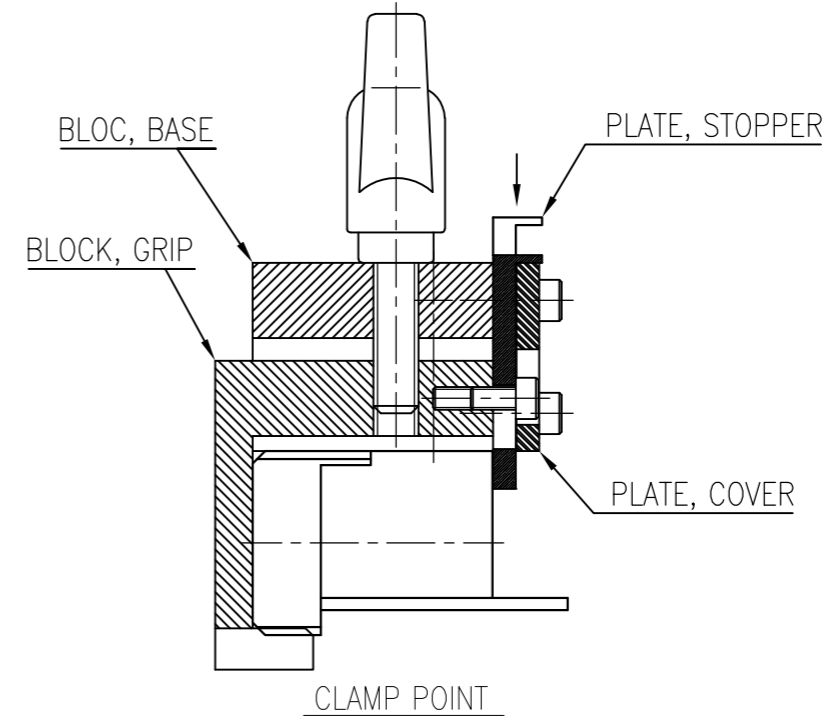
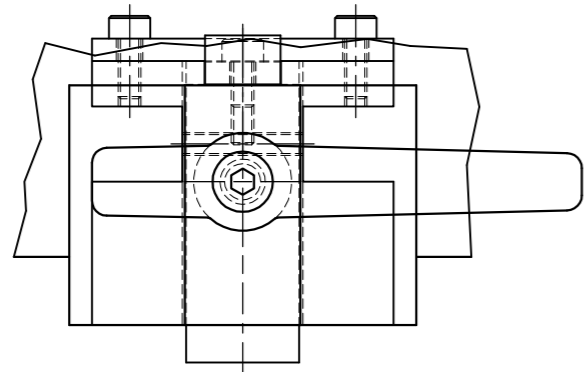
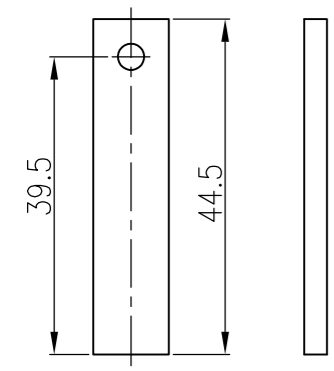


THIS DRAWING IS UNPUBLISHED. RELEASED FOR PUBLICATION
 © COPYRIGHT BY TYCO ELECTRONICS CORPORATION. ALL RIGHTS RESERVED.

LOC	DIST	REVISIONS					
J	—	P	LTR	DESCRIPTION	DATE	DWN	APVD
		A		RELEASED	16 FEB 09	K.M	H.T



- 仕様 (Specifications)**
- (1) 外観寸法 (OVERALL) : W66×D46×H88 mm
 - (2) 重量 (WEIGHT) : 約 500g (about 500g)
 - (3) 適用コネクタ (APPLICABLE CONNECTOR) : RECEPTACLE ASSEMBLY, 5 PAIR, 8 COLUMN : 1934218-1



THIS DRAWING IS A CONTROLLED DOCUMENT.		DWN K. MARUYAMA 16 FEB 09	Tyco Electronics Corporation Kawasaki, Japan	
DIMENSIONS: 単位: 耗 mm		CHK H. TANAKA 16 FEB 09	NAME 名称	
TOLERANCES UNLESS OTHERWISE SPECIFIED: 一般公差		APVD H. TANAKA 16 FEB 09	PRODUCT SPEC 製品規格	
0 PLC ± -		APPLICATION SPEC 取付適用規格		
1 PLC ± -		SIZE A3		
2 PLC ± -		CAGE CODE 00779		
3 PLC ± -		DRAWING NO G-2088436-1		
4 PLC ± -		RESTRICTED TO —		
ANGLES ± -		SCALE 尺度 —		
FINISH 仕上 —		SHEET 1 OF 1		
MATERIAL 材料 —		REV A		
CUSTOMER DRAWING				