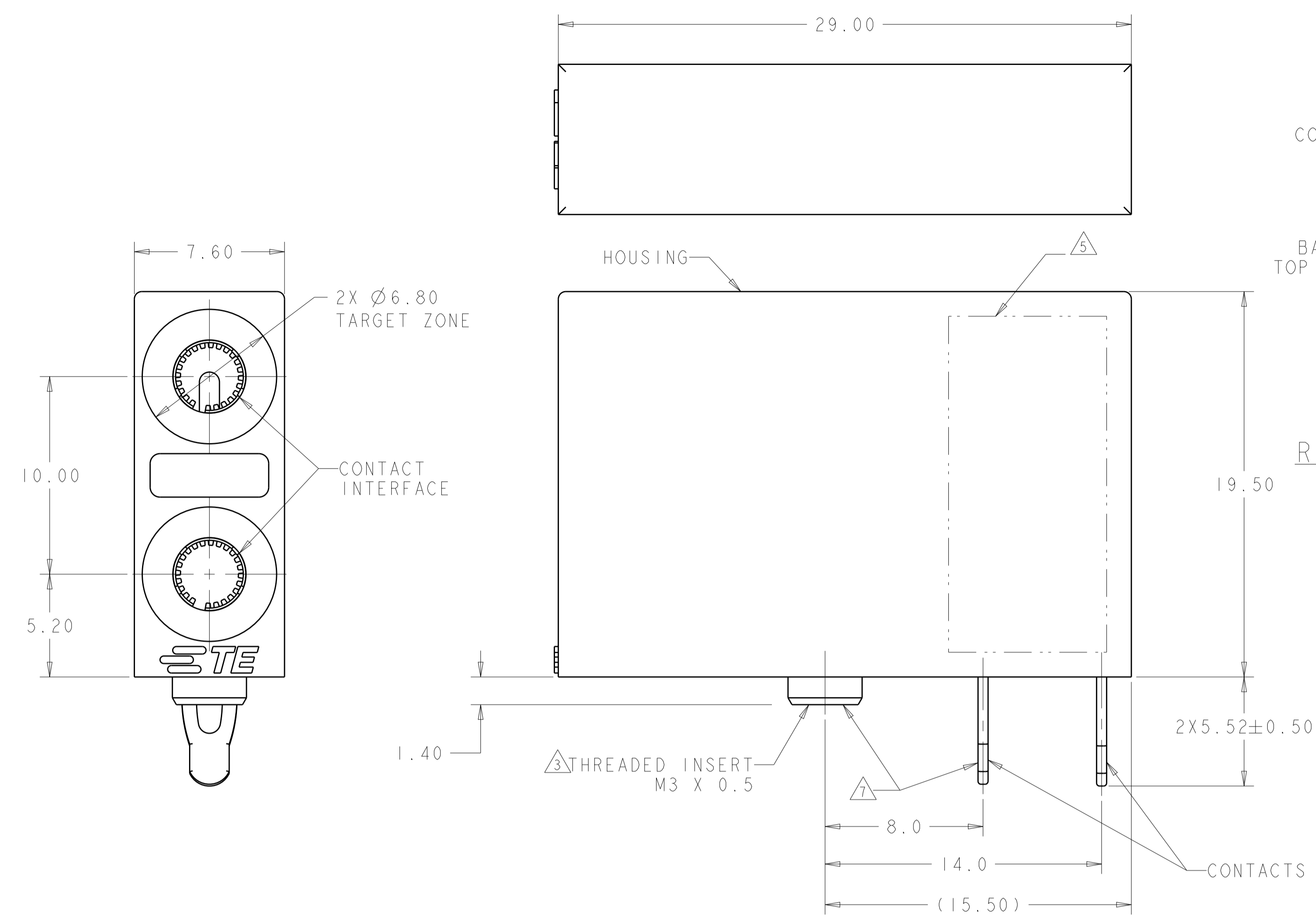


REVISIONS				
P.	LTN	DESCRIPTION	DATE	APVD
D		REV PER ECO-15-018490	20JUL2018	RS SZ
D1		ADD NEW PART NUMBER 2085181-2	20JUL2018	RS SZ
D2		ADD HOUSING MATERIAL	23JUL2018	RS SZ
D3		OPTIMIZE PROCESS TEMPERATURE	28JUL2018	RS SZ



PART NUMBER: 2085181-1

RECOMMENDED PCB LAYOUT FOR 2085181-1  
 COMPONENT SIDE VIEW, SCALE: 3:1  
 THICKNESS SEE NOTE 3,  
 DEFAULT TOLERANCE: ±0.05

NOTES:

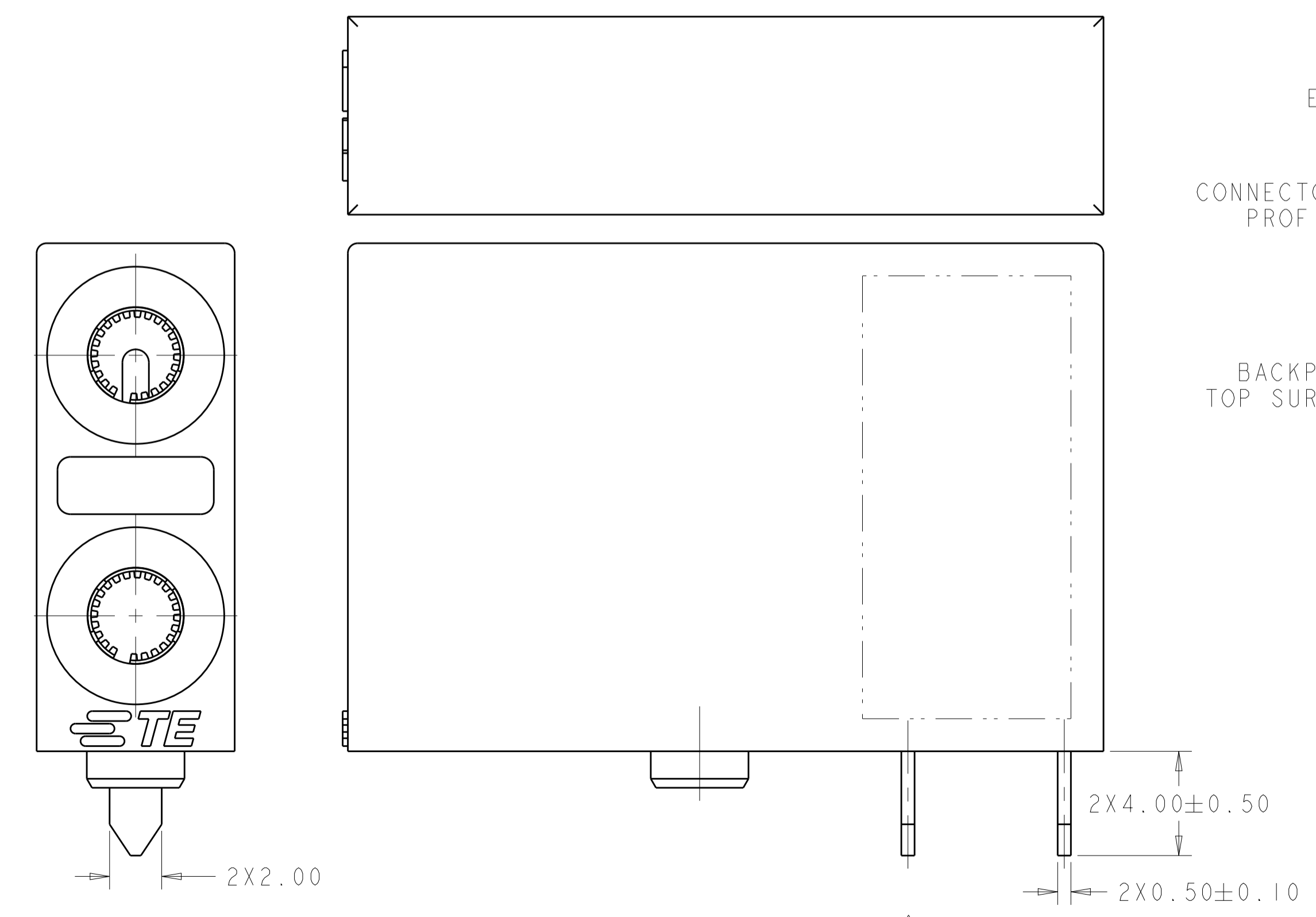
- 1 MATERIALS:  
 HOUSING: UL 94 V-0, PBT THERMOPLASTIC FOR 2085181-1;  
 UL 94 V-0, LCP THERMOPLASTIC FOR 2085181-2.  
 CONTACT: COPPER ALLOY  
 CONTACT INTERFACE: COPPER ALLOY  
 INSERT: COPPER ALLOY

- 2 FINISH:  
 HOUSING: BLACK  
 CONTACT: SILVER PLATE, 5.08µm MIN THICK, OVER NICKEL UNDERPLATE  
 CONTACT INTERFACE: GOLD PLATE, 0.76µm MIN THICK, OVER NICKEL UNDERPLATE  
 INSERT: NICKEL PLATE

3

RECOMMENDED M3 SCREW LENGTH	
PCB THICKNESS	SCREW LGTH.
1.57mm [0.062"]	3.00mm
2.36mm [0.093"]	4.00mm
3.18mm [0.125"]	5.00mm

- 4. THIS PRODUCT HAS NOT BEEN VALIDATION TESTED.
- 5 PART NUMBER AND DATE CODE LABEL TO BE LOCATED APPROXIMATELY AS SHOWN.
- 6 MANUFACTURING TOLERANCE:  
 FINISHED HOLE:  $\varnothing 2.59 \pm 0.05$   
 DRILLED HOLE  $\varnothing 2.687 \pm 0.020$   
 COPPER PLATING: 0.050 - 0.025  
 TIN-LEAD PLATING: 0.015 - 0.004
- 7 THREADED INSERT & LOWER CONTACT MAY BE ELECTRICALLY CONNECT.
- 8 RECOMMENDED PROCESS FOR 2085181-2: REFLOW, 250°C MAX., 10S MAX.; 217°C, 60-150S, ACCORDING TO IPC/JEDEC J-STD-020E.



RECOMMENDED PCB LAYOUT FOR 2085181-2  
 COMPONENT SIDE VIEW, SCALE: 3:1  
 THICKNESS SEE NOTE 3,  
 DEFAULT TOLERANCE: ±0.05

PART NUMBER: 2085181-2  
 UNMARKED DIMENSIONS ARE THE SAME TO 2085181-1

THIS DRAWING IS A CONTROLLED DOCUMENT.		OWN: G. PETERS 10MAR2009	TE Connectivity	
DIMENSIONS: mm		CHK: D. DEFIBAUGH 10MAR2009		
TOLERANCES UNLESS OTHERWISE SPECIFIED:		APVD: D. DEFIBAUGH 10MAR2009	NAME: 2 POSITION, RIGHT ANGLE, 3.17mm DIAMETER, SOCKET ASSEMBLY	
0 PLC ±0.5	1 PLC ±0.35	PRODUCT SPEC: 108-128033	SIZE: A1	
2 PLC ±0.25	3 PLC ±0.15	APPLICATION SPEC:	CAGE CODE: 2085181	
4 PLC ±0.15	5 PLC ±0.10	WEIGHT:	RESTRICTED TO:	
ANGLES ±0.1°	FINISH ±0.1µm	CUSTOMER DRAWING	SCALE: 6:1 SHEET 1 OF 1 REV: D3	