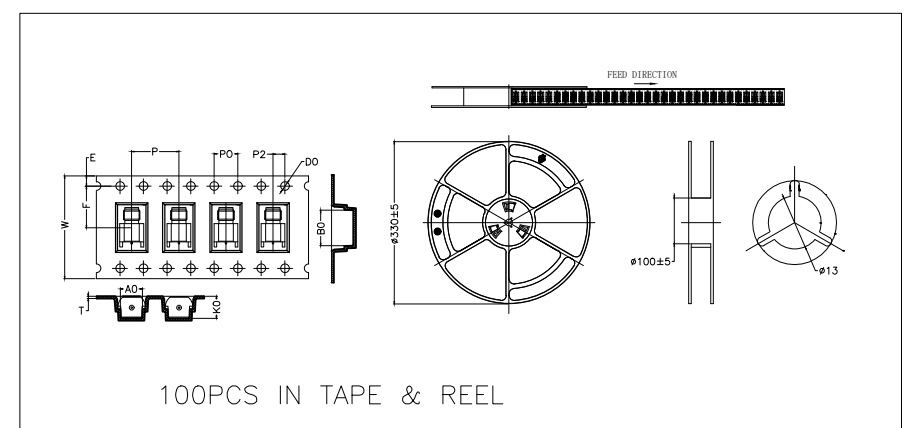
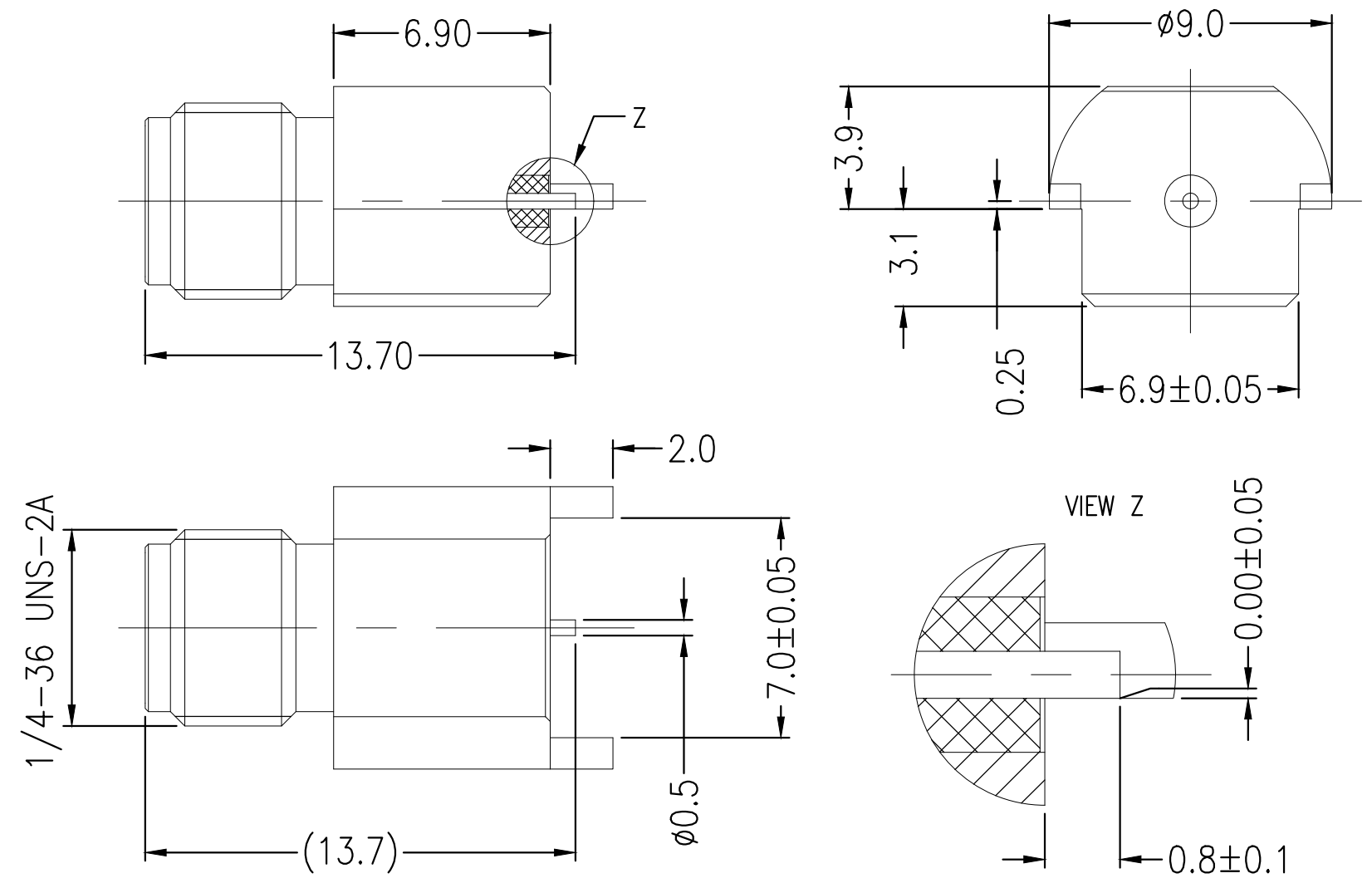


THIS DRAWING IS UNPUBLISHED. RELEASED FOR PUBLICATION
 © COPYRIGHT - TE Connectivity Ltd. ALL RIGHTS RESERVED.

P	LTR	DESCRIPTION	DATE	DWN	APVD
A1		REVISED PER ECR-20-000664	15JAN2020	RZ	RS



symbol	AO	BO	KO	PO	P	P2
Spec	7.20±0.10	15.20±0.10	7.30±0.10	4.00±0.10	16.0±0.10	2.00±0.10
symbol	W	T	E	F	DO	
Spec	32.0±0.30	0.40±0.05	1.75±0.10	14.2±0.10	1.50±0.10	

- NOTES:
- 1 PACK IN ACCORDANCE WITH TE SPEC 107-3275
 - 2 ALL DIMENSIONS ARE NOMINAL FOR REFERENCE ONLY UNLESS OTHERWISE STATED

ELECTRICAL	MECHANICAL	ENVIRONMENTAL
Impedance (Ohm) <u>50</u>	Interface Dimension MIL-STD-348B Fig. <u>323-2</u>	TEMPERATURE RANGE <u>-55°C TO + 125°C</u>
Frequency Range (GHz) <u>DC to 40GHz</u>	Recommended Coupling Torque <u>7 to 10 In-Lbs</u>	THERMAL SHOCK <u>MIL-STD-202, METH.107, COND.B</u>
Voltage Rating (Peak) <u>@ Sea Level 250 V RMS</u>	Force to Engage and Disengage (In/lbs) <u>2.0 MAX</u>	CORROSION <u>MIL-STD-202, METH.101, COND.B</u>
Insulation Resistance (MIN.) <u>5000 M ohms</u>	Center Contact Captivation Axial (Lbs) <u>6.0</u> Radial (In/Oz) <u>N/A</u>	VIBRATION <u>MIL-STD-202, METH.204, COND.D</u>
Contact Resistance (Milliohms MAX) Center Contact <u>3.0</u> Outer Contact <u>2.0</u>	Cable Retention Axial (Lbs) <u>N/A</u>	SHOCK <u>MIL-STD-202, METH.213, COND.I</u>
Dielectric Withstand Voltage: <u>500 V RMS Max</u>	Mating cycles <u>500 cycles</u>	MOISTURE RESISTANCE <u>MIL-STD-202, METH.106</u>
Insertion Loss : <u>0.1*SQRT(F) dB</u>		ROHS <u>COMPLIANT</u>
VSWR: <u>1.5 MAX (GHz)</u>		
RF leakage: <u>N/A</u>		
3rd Intermodulation: <u>N/A</u>		

QUANTITY PER ASSY	PARTS LIST
1	PVC (BLACK) DUST CUP 5
1	PTFE INSULATION 4
1	Au BRASS OUTER CONTACT 3
1	PEI INSULATION 2
1	Au BeCu CENTER CONTACT 1
-1	PLATING MATERIAL DESCRIPTION ITEM

THIS DRAWING IS A CONTROLLED DOCUMENT.

DWN	RZ	06MAY2019
CHK	ED	06MAY2019
APVD	RS	06MAY2019

STE TE Connectivity

2.92mm JACK PCB RECEPTACLE

PRODUCT SPEC	NAME
APPLICATION SPEC	NAME
WEIGHT	SIZE CAGE CODE DRAWING NO RESTRICTED TO
CUSTOMER DRAWING	A3 00779 C-2081934

SCALE 1:1 SHEET 1 OF 1 REV A1