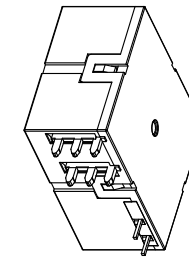
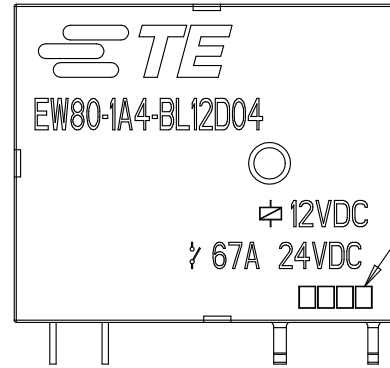
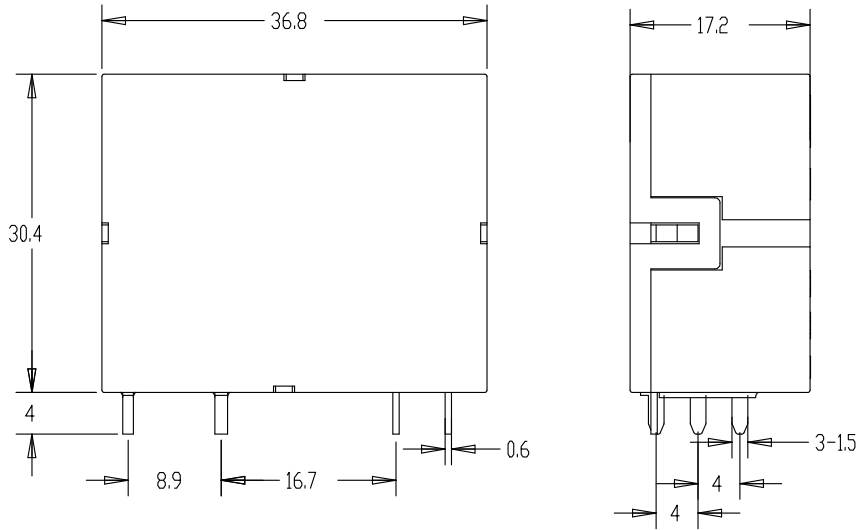
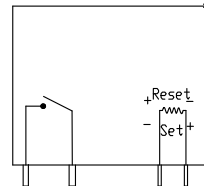
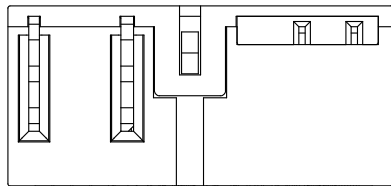


REVISIONS

P	LTR	DESCRIPTION	DATE	DWN	APVD
	A	RELEASED	9APR2019	TOD	X.Z



SCALE 1:1

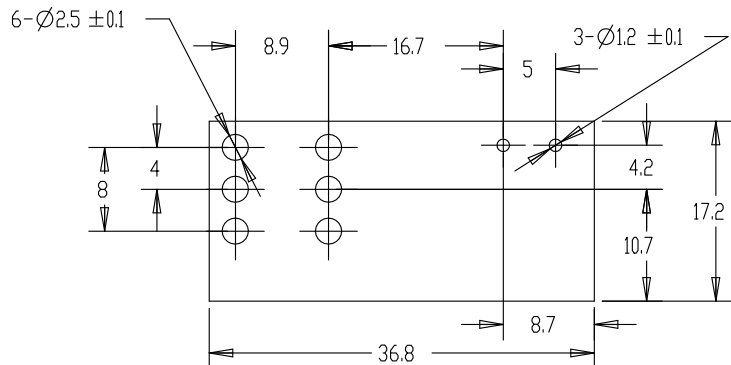


Single Coil Wire Connection drawing

Linear Dimension	Tolerance
<1	±0.2
1~5	±0.3
>5	±0.4

Note:

1. GENERAL TOLERANCE: SEE TABLE
2. DATE: YYWW/ YEAR AND WEEK FORMAT  
EXAMPLE: 1950 - PRODUCED IN THE 50TH WEEK OF 2019
3. REFER TO DATASHEET FOR THE SPECIFICATION, EXCEPT:
  - 3.1 CONTACT MATERIAL: AGNI
  - 3.2 CONTACT RATING: 67A 24VDC,55 °C, 1000cycles
  - 3.3 MAX CONTACT LOAD: 80A 250VAC (CONTACT TE FOR DETAILS)



PCB DRILLING (COPPER SIDE)

THIS DRAWING IS A CONTROLLED DOCUMENT.		DWN Tod.Chen 22-Apr-20	TE Connectivity	
DIMENSIONS: mm		CHK /-	NAME Xiaoning.Zhang	
TOLERANCES UNLESS OTHERWISE SPECIFIED 0 PLC ± 1 PLC ± 2 PLC ± 3 PLC ± 4 PLC ± ANGLES ±		APVD Xiaoning.Zhang	PRODUCT SPEC EW80-1A4-BL12D04	
MATERIAL		APPLICATION SPEC	SIZE A3	RESTRICTED TO
FINISH		WEIGHT	CAGE CODE	DRAWING NO C=2071548
		CUSTOMER DRAWING	SCALE 1:1	SHEET 1 OF 1
				REV A

EW80-1A4-BL12D04	2071548-1
PRODUCT NAME	PART NO.