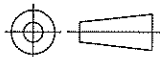



LOC		DIST		REVISIONS				
P	LTR	DESCRIPTION			DATE	DWN	APVD	
	A	RELEASED			19DEC'08	M.S	N.Y	

SEE 1747067 SHEET 3 OF 3

THIS DRAWING IS UNPUBLISHED. ALL INTERNATIONAL RIGHTS RESERVED. BY TYCO ELECTRONICS CORPORATION.

- 1:本 ☒

DIMENSIONS: mm TOLERANCES UNLESS OTHERWISE SPECIFIED: 0 PLC ± - 1 PLC ± - 2 PLC ± - 3 PLC ± - 4 PLC ± - ANGLES ± - 	DWN	M.SUZUKI	19DEC2008	MATERIAL	FINISH				
	CHK	N.YAMASAKI	19DEC'08	 Tyco Electronics Corporation Kawasaki, Japan					
	APVD	N.YAMASAKI	19DEC'08						
	PRODUCT SPEC	108-5992			NAME				
	APPLICATION SPEC	114-5359			GRACE INERTIA CONNECTOR 5 AND 7.5 HDR ASSY				
WEIGHT	SIZE	CAGE CODE	DRAWING NO	RESTRICTED TO					
CUSTOMER DRAWING	A4	00779	C=2069907	-					
				SCALE	NONE	SHEET	1 OF 1	REV	A