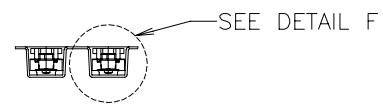
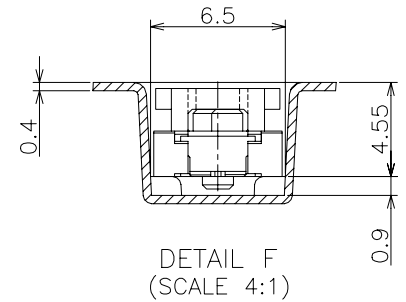
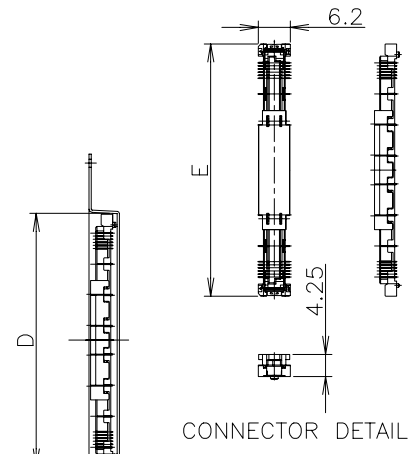
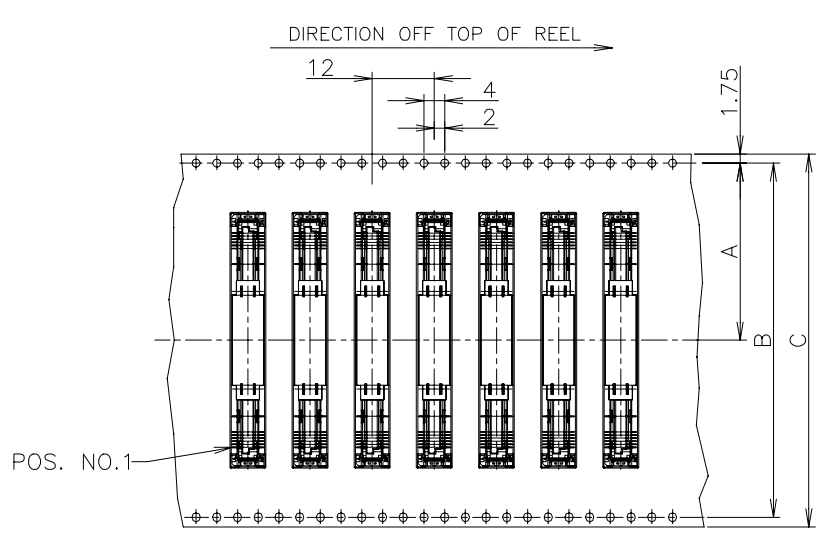
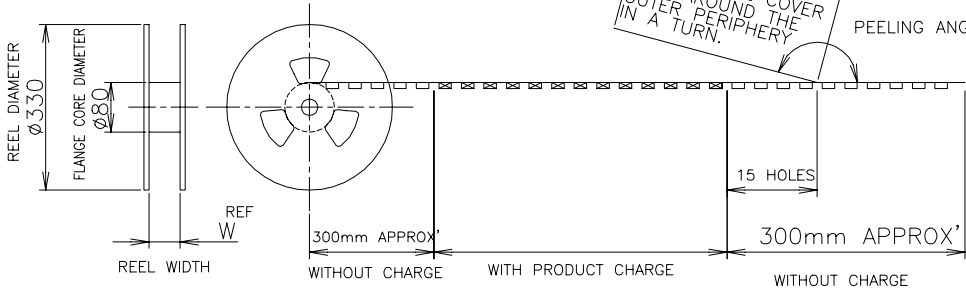


REVISIONS					
変更					
P	LTR	DESCRIPTION	DATE	DWN	APVD
	C	ECO-20-017853: G-CONTACT TAIL GOLD FLASH	18DEC2020	A.L	H.L



WEEDING THE COVER TAPE AROUND THE OUTER PERIPHERY IN A TURN.
PEELING ANGLE 165°~180°



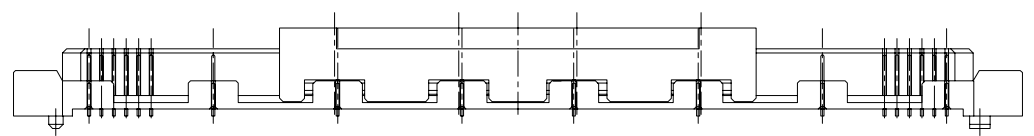
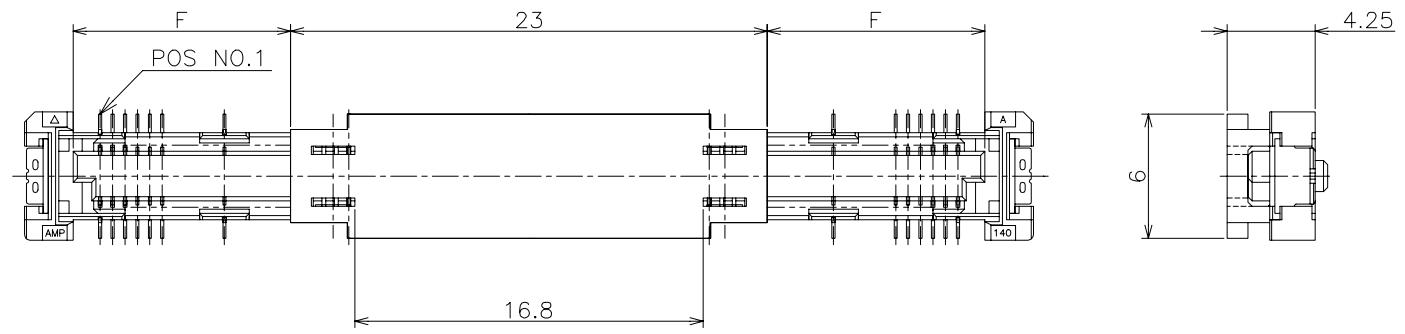
SEALANT	TOOLING STATUS	QTY.	W	E	D	C	B	A	POS.	PART NO.	
			77.5	54.7	55	72	68.4	34.2	160		
NON SEALANT	NOT AVAILABLE	900	77.5	54.7	55	72	68.4	34.2	160	1-2069480-0	
	AVAILABLE		77.5	48.7	49	72	68.4	34.2	140		
	NOT AVAILABLE		61.5	42.7	43	56	52.4	26.2	120		
			61.5	36.7	37	56	52.4	26.2	100		
			61.5	33.7	34	56	52.4	26.2	90		
			49.5	30.7	31	44	40.4	20.2	80		
			49.5	27.7	28	44	40.4	20.2	70		
			49.5	24.7	25	44	40.4	20.2	60		
			37.5	21.7	22	32	28.4	14.2	50		
			900	77.5	54.7	55	72	68.4	34.2		160
				61.5	42.7	43	56	52.4	26.2		120
				61.5	36.7	37	56	52.4	26.2		100
			49.5	30.7	31	44	40.4	20.2	80		
			49.5	27.7	28	44	40.4	20.2	70		
			49.5	24.7	25	44	40.4	20.2	60		
		900	37.5	21.7	22	32	28.4	14.2	50		

THIS PRODUCT WAS COATED BY FLUX-PENETRATION -INHIBITING AGENT.

THIS DRAWING IS A CONTROLLED DOCUMENT.

DIMENSIONS: 单位: 耗 mm	TOLERANCES UNLESS OTHERWISE SPECIFIED: 一般公差	DWN Y.OKOSHI 21OCT2008	TE Connectivity Ltd.
0 PLC ± 0.2 1 PLC ± 0.2 2 PLC ± 0.2 3 PLC ± 0.2 4 PLC ANGLES ± 0.2	FINISH 仕上	CHK S.KAJINUMA 21OCT2008	
MATERIAL 材料		APVD T.FUTATSUGI 21OCT2008	NAME 名称
		PRODUCT SPEC 製品規格 108-5468	EMBOSS ASSY FH 0.6 BTB CONNECTOR REC 4H W/G-CONT WITH 1ROW CAP
		APPLICATION SPEC 取付適用規格	SIZE A3
		WEIGHT	CAGE CODE 00779
		CUSTOMER DRAWING	DRAWING NO C=2069480
			RESTRICTED TO
			SCALE 尺度 1:1
			SHEET 1 OF 4
			REV C

REVISIONS					
変更					
P	LTR	DESCRIPTION	DATE	DWN	APVD
-	-	SEE SHEET 1	-	-	-

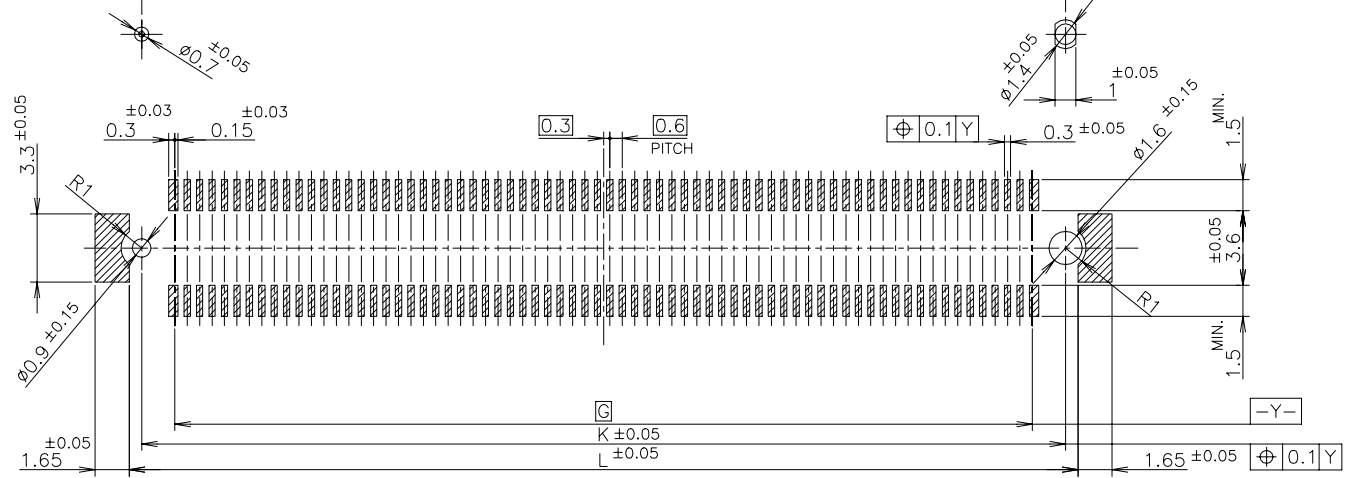
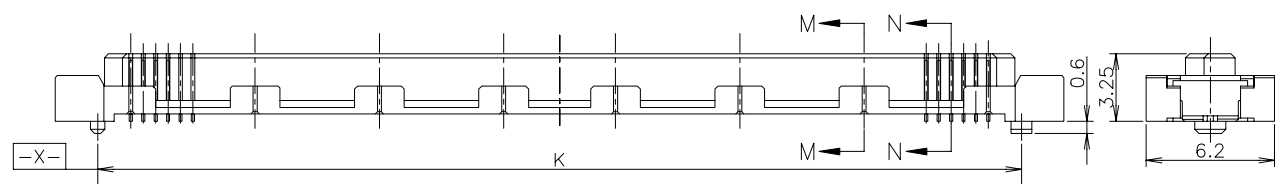
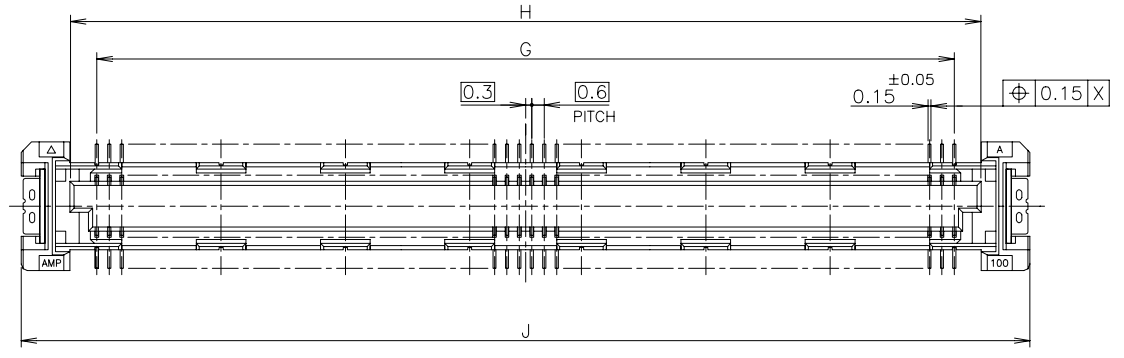


NOT AVAILABLE		160	
AVAILABLE	10.5	140	1-2069480-0
NOT AVAILABLE		120	
NOT AVAILABLE		100	
NOT AVAILABLE		90	
TOOLING STATUS	F	POS	CAP P/N

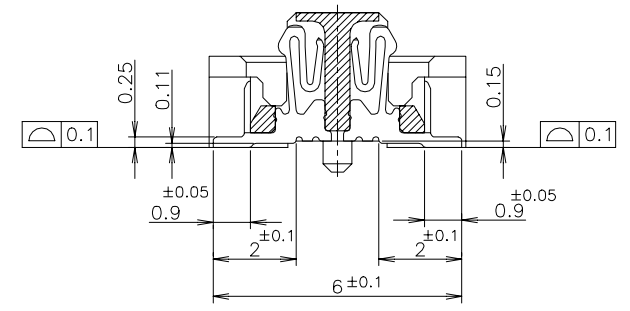
5 CONNECTORS DIMENSION AND REFERENCE P.C BOARD LAYOUT : SEE SHEET 3.

THIS DRAWING IS A CONTROLLED DOCUMENT.		DWN	TE TE Connectivity Ltd.	
DIMENSIONS: 單位: 耗 mm		CHK		
TOLERANCES UNLESS OTHERWISE SPECIFIED: 一般公差		APVD	NAME 名称	
0 PLC ± 0.2		PRODUCT SPEC 製品規格	EMBOSS ASSY	
1 PLC ± 0.2		APPLICATION SPEC 取付適用規格	FH 0.6 BTB CONNECTOR	
2 PLC ± 0.2		WEIGHT	REC 4H W/G-CONT WITH 1ROW CAP	
3 PLC ± 0.2		CUSTOMER DRAWING	SIZE A3	DRAWING NO C=2069480
4 PLC ± 0.2			CAGE CODE 00779	RESTRICTED TO
4 ANGLES ± 3'			SCALE 尺度 4:1	SHEET 2 OF 4
MATERIAL 材料	FINISH 仕上			REV C

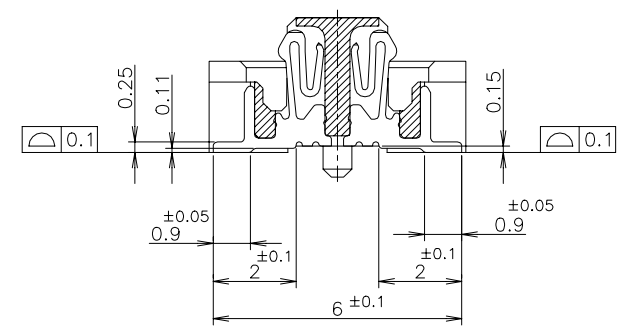
P	LTR	DESCRIPTION	DATE	DWN	APVD
-	-	SEE SHEET 1	-	-	-



REFERENCE P.C. BOARD LAYOUT



N-N
(SIGNAL POSITION)
(SCALE 8:1)



M-M
(GROUND POSITION)
(SCALE 8:1)

NOT AVAILABLE	51.8	50.6	54.7	50	47.4	160
AVAILABLE	45.8	44.6	48.7	44	41.4	140
NOT AVAILABLE	39.8	38.6	42.7	38	35.4	120
	33.8	32.6	36.7	32	29.4	100
	30.8	29.6	33.7	29	26.4	90
	27.8	26.6	30.7	26	23.4	80
	24.8	23.6	27.7	23	20.4	70
	21.8	20.6	24.7	20	17.4	60
NOT AVAILABLE	18.8	17.6	21.7	17	14.4	50
TOOLING STATUS	L	K	J	H	G	POS

THIS DRAWING IS A CONTROLLED DOCUMENT.

DIMENSIONS: 單位: 耗 mm	TOLERANCES UNLESS OTHERWISE SPECIFIED: 一般公差
	0 PLC ± 0.3 1 PLC ± 0.3 2 PLC ± 0.3 3 PLC ± 0.3 4 PLC ± 0.3 ANGLES ± 3°
MATERIAL 材料	FINISH 仕上

DWN	CHK	APVD
PRODUCT SPEC 製品規格	APPLICATION SPEC 取付適用規格	WEIGHT
CUSTOMER DRAWING		

TE Connectivity Ltd.		NAME 名称 EMBOSS ASSY FH 0.6 BTB CONNECTOR REC 4H W/G-CONT WITH 1ROW CAP	
SIZE A3	CAGE CODE 00779	DRAWING NO 番号 G=2069480	RESTRICTED TO
SCALE 尺度 4:1		SHEET 3 OF 4	REV C

4

3

2

1

© 2008 TE Connectivity. All Rights Reserved.

REVISIONS

P	LTR	DESCRIPTION	DATE	DWN	APVD
-		SEE SHEET 1	-	-	-

△ MATERIAL ; HOUSING : HIGH TEMP THERMO PLASTIC
UL94V-0
CONTACT : COPPER ALLOY

△ FINISH ; UNDER PL Ni 0.0013mm MIN ALL OVER.
CONTACT AREA 0.00076 MIN Au PL.
SOLDERING AREA: SIGNAL POS 0.00005 MIN Au PL.
C GROUND POS 0.00005 MIN Au PL.

△ THIS POSITION IS GROUND CIRCUIT.

THIS DRAWING IS A CONTROLLED DOCUMENT.

DWN

TE Connectivity Ltd.

DIMENSIONS:
单位: 耗
mmTOLERANCES UNLESS
OTHERWISE SPECIFIED:
一般公差

0 PLC	± 0.3
1 PLC	± 0.3
2 PLC	± 0.3
3 PLC	± 0.3
4 PLC	± 0.3
ANGLES	± 3°

MATERIAL
材料FINISH
仕上

CHK

NAME
名称

EMBOSS ASSY

FH 0.6 BTB CONNECTOR

REC 4H W/G-CONT WITH 1ROW CAP

APVD

PRODUCT SPEC
製品规格APPLICATION SPEC
取付適用规格

WEIGHT

SIZE

CAGE CODE

DRAWING NO
番号

RESTRICTED TO

A3

00779

C=2069480

CUSTOMER DRAWING

SCALE
尺度

3:1

SHEET

4 OF 4

REV

C

1470-19 (1/15)