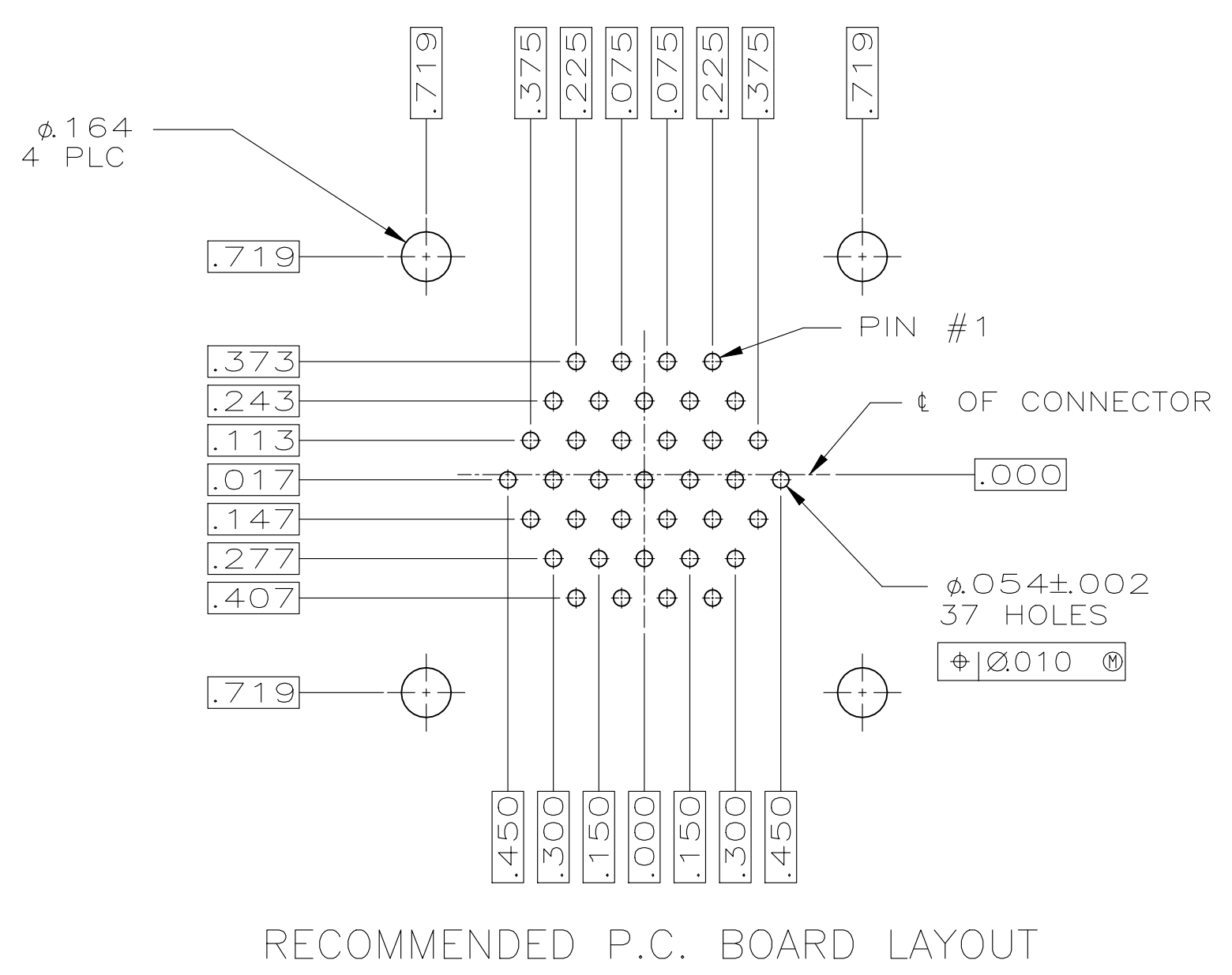
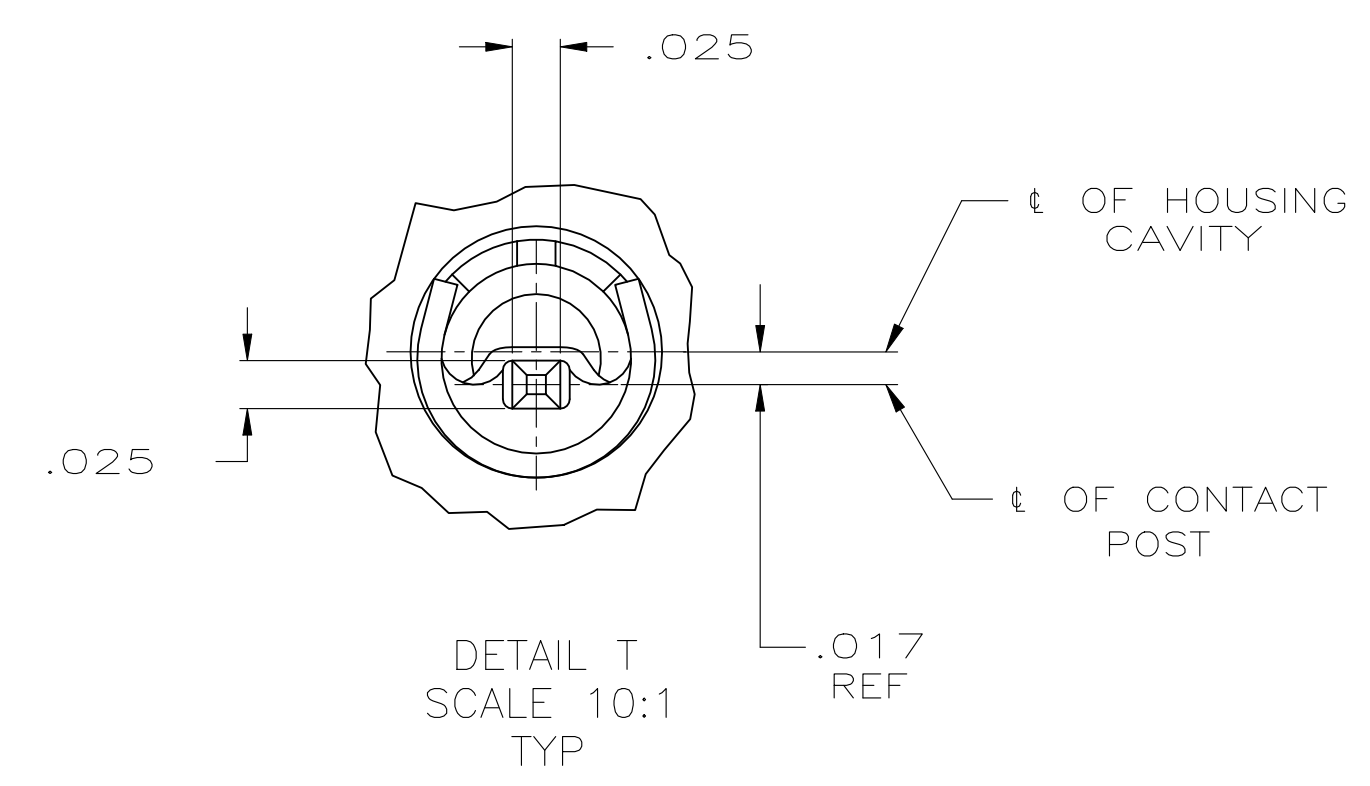
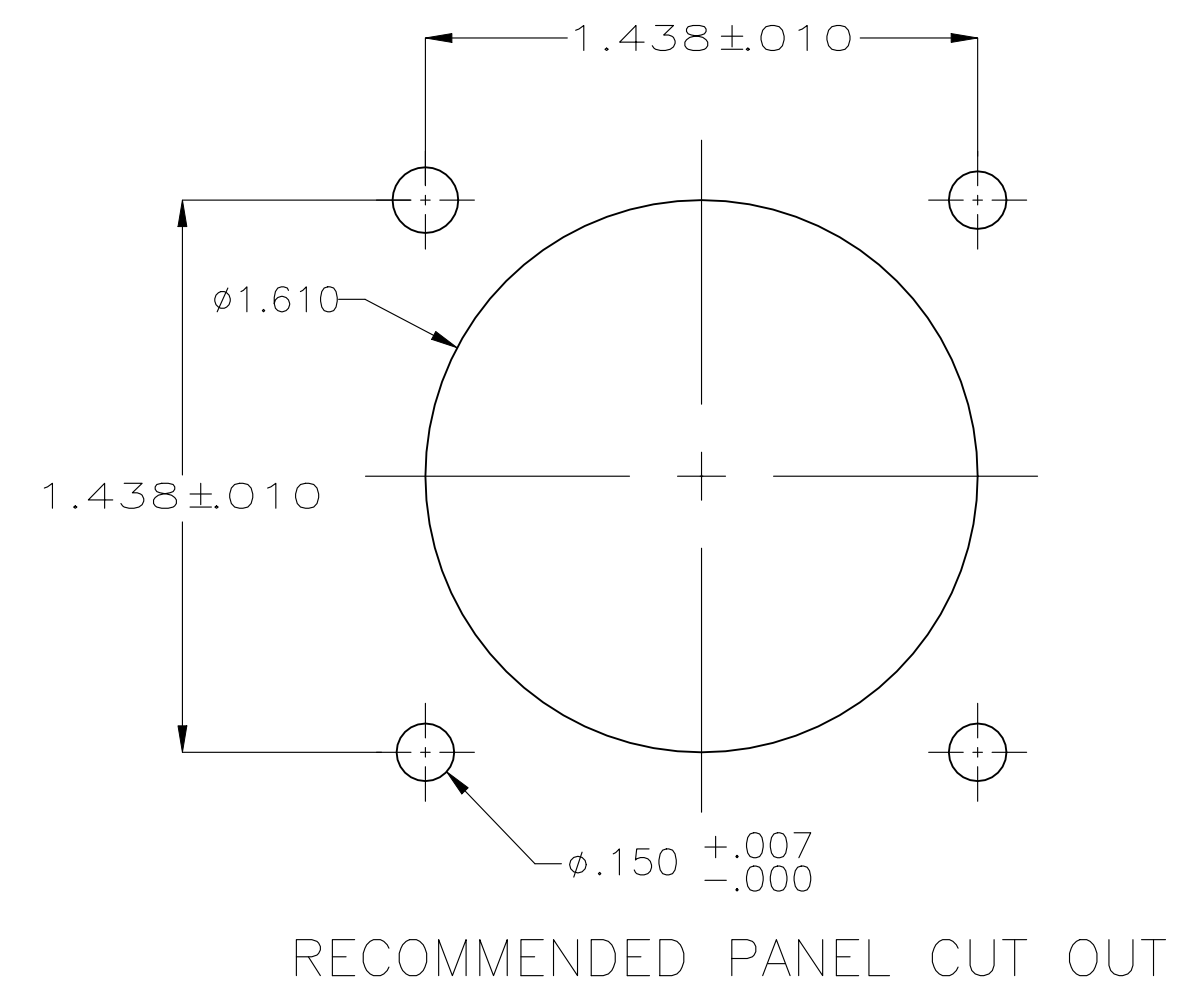
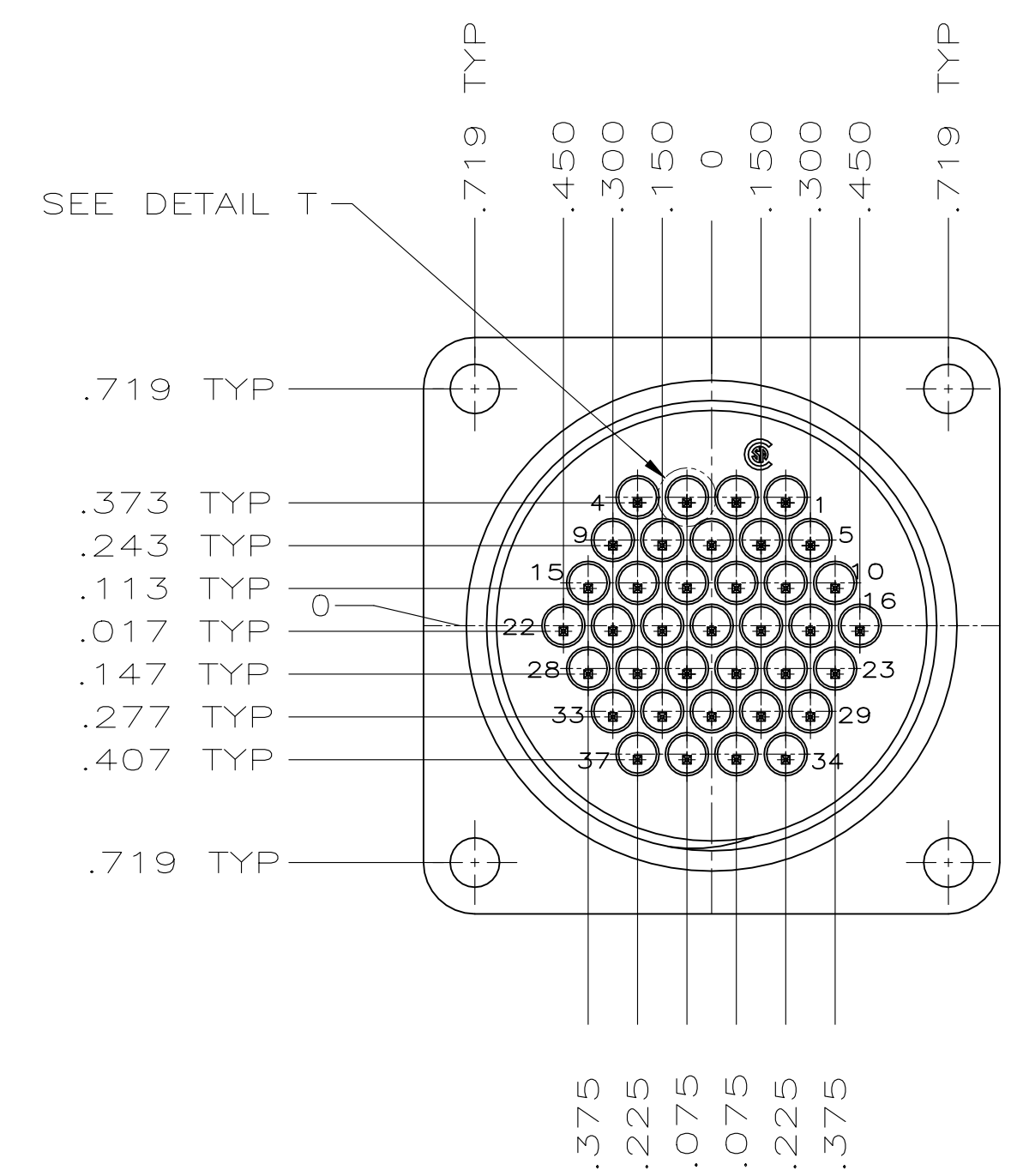
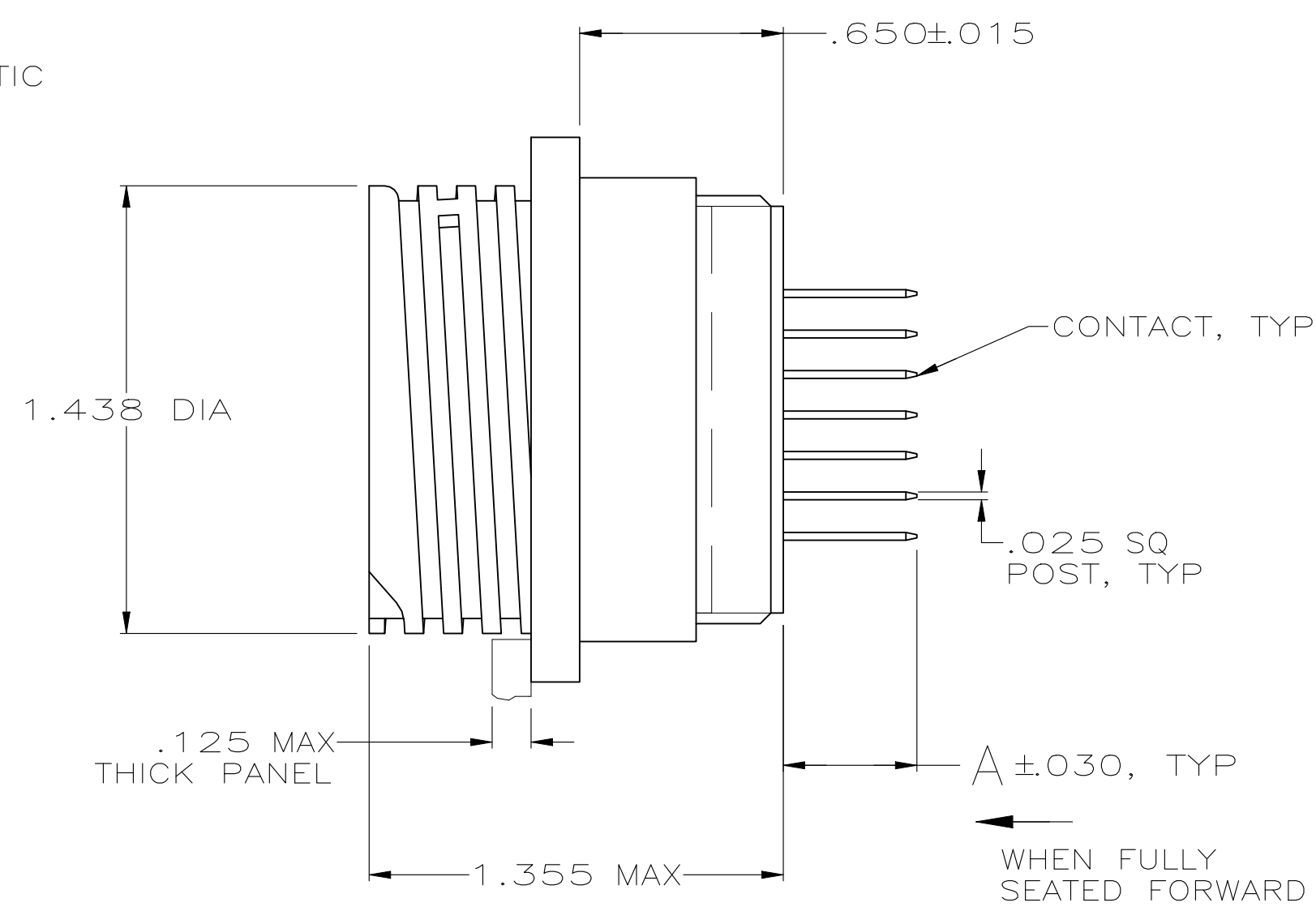
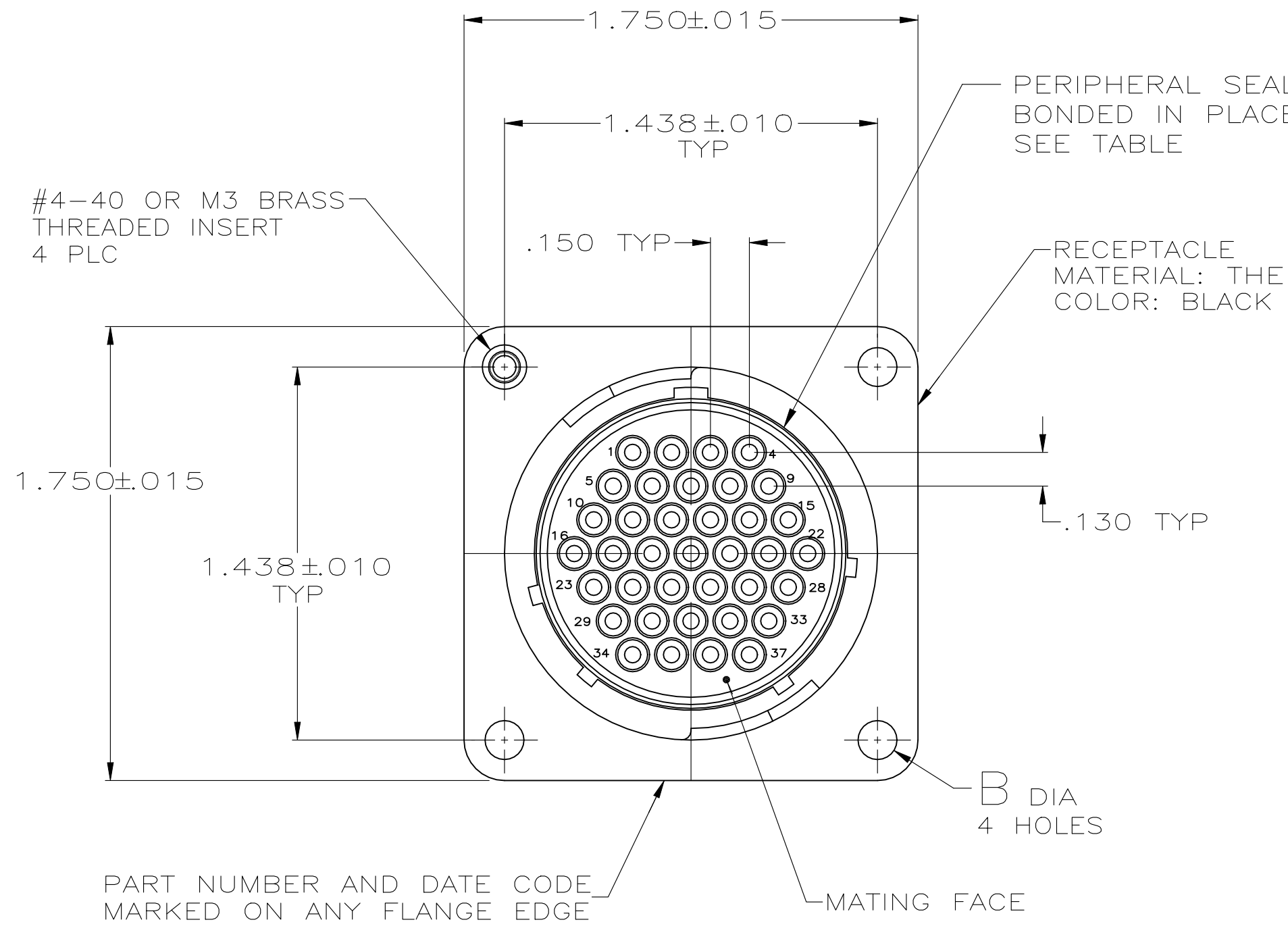


REVISIONS					
P	LTR	DESCRIPTION	DATE	DN	APVD
AJ2	REVISED PER	ECR-22-150475	26AUG2022	RK	MZ



- 1 CONNECTOR WILL ACCEPT POSTED TYPE III+ PIN CONTACTS.
- 2 CONTACT BODY: SELECT GOLD OVER NICKEL.  
CONTACT POST: TIN-LEAD PER MIL-T-10727 OVER COPPER PER MIL-C-14550A.
- 3 RECOMMENDED PC BOARD HOLE SIZE FOR CONTACT POST: 1.02±.008[.040±.003] DIA.
- 4
- 5 CONTACT BODY: SELECT GOLD OVER NICKEL.  
CONTACT POST: TIN OVER NICKEL.
- 6 POSITIONS LOADED WITH CONTACTS: 1-4, 10-17, 19-22, 24, 25, 29, 30, 32, 33.
- 7 POSITIONS LOADED WITH CONTACTS: 1-20, 22-28, 30-37.
- 8 OBSOLETE PARTS: OBSOLETE CIS STREAMLINING PER D.RENAUD/D.SINISI.
- 9 CONTACT BODY: TIN OVER NICKEL.  
CONTACT POST: TIN OVER NICKEL.
- 10 CONTACT BODY: SELECT GOLD OVER NICKEL.  
CONTACT POST: TIN/LEAD OVER NICKEL.
- 11 CONTACT BODY: TIN/LEAD OVER NICKEL.  
CONTACT POST: TIN/LEAD OVER NICKEL.

5	NO	YES	NO	-	.220	3-206934-1
5	NO	YES	NO	-	.220	3-206934-0
5	NO	YES	YES	-	.170	2-206934-9
5	NO	YES	NO	-	.413	2-206934-8
5	NO	YES	NO	-	.257	2-206934-7
5	NO	YES	YES	-	.119	2-206934-6
5	NO	NO	NO	.150±.003	.240	2-206934-5
5	NO	NO	NO	.150±.003	.220	2-206934-3
5	NO	NO	YES	.150±.003	.119	2-206934-2
5	NO	NO	NO	.150±.003	.119	2-206934-1
5	NO	YES	YES	-	.618	2-206934-0
5	NO	NO	NO	.150±.003	.618	1-206934-9
5	NO	NO	NO	.150±.003	.429	1-206934-8
5	NO	YES	YES	-	.119	1-206934-7
5	NO	NO	YES	.150±.003	.429	1-206934-5
5	NO	YES	NO	-	.618	1-206934-4
5	NO	YES	NO	-	.220	1-206934-3
5	NO	NO	NO	.150±.003	.429	1-206934-2
5	NO	NO	NO	.150±.003	.220	1-206934-1
5	YES	NO	YES	-	.119	1-206934-0
5	YES	YES	YES	-	.119	1-206934-9
5	NO	NO	NO	.150±.003	.618	1-206934-7
5	NO	NO	NO	.150±.003	.429	1-206934-6
5	NO	NO	NO	.150±.003	.119	1-206934-5
5	NO	YES	NO	-	.220	1-206934-4
5	NO	NO	NO	.158±.001	.618	1-206934-3
5	NO	NO	NO	.158±.001	.429	1-206934-2
5	NO	NO	NO	.150±.003	.220	1-206934-1

CONTACT FINISH	M3 INSERTS	4-40 INSERTS	PERIPHERAL SEAL	B	A	PART NUMBER

THIS DRAWING IS A CONTROLLED DOCUMENT. DIMENSIONS: INCHES. TOLERANCES UNLESS OTHERWISE SPECIFIED: 0 PLC ±.005, 1 PLC ±.005, 2 PLC ±.005, 3 PLC ±.005, 4 PLC ±.005, ANGLES ±.005. MATERIAL: SEE CALLOUT. FINISH: CONTACT: A. WEIGHT: -. SIZE: A1. CASE CODE: 00779. DRAWING NO: 206934. RESTRICTED TO: CUSTOMER DRAWING. SCALE: 2:1. SHEET: 1 OF 1. REV: AJ2.