

LOC J	DIST —	REVISIONS 変更			DATE	DWN	APVD
		P	LTR	DESCRIPTION			
		A		RELEASED	02SEP'08	J.S	T.K

注記

1. 詳細は DWG NO. : 1747820参照
2. 材料 : ガラス入り熱可塑性 ポリエステル樹脂 (94V-0)

NOTE

1. FOR DETAIL SEE DWG NO. : 1747820
2. MATERIAL : GRASS FILLED THERMO PLASTIC POLYESTER (94V-0)

2-2069332-3	Y-Y	青色 BLUE	2-2069331-3
3-2069332-2	X-Y	黄色 YELLOW	3-2069331-2
1-2069332-1	X-X	自然色 NATURAL	1-2069331-1
かん合相手型番 MATING HSG P/N	キーイング形状 TYPE OF KEYING	色調 COLOR	型番 PART NUMBER

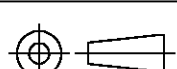

RELEASED FOR PUBLICATION

ALL RIGHTS RESERVED.

BY TYCO ELECTRONICS CORPORATION.

COPYRIGHT

THIS DRAWING IS UNPUBLISHED.

DIMENSIONS: 単位 : 耗 mm TOLERANCES UNLESS OTHERWISE SPECIFIED: 一般公差 0 PLC ± 1 PLC ± 2 PLC ± 3 PLC ± 4 PLC ± ANGLES ± 	DWN J.SATO 02SEP2008	MATERIAL 材料 SEE NOTE 2	FINISH 仕上
	CHK T.KUDO 02SEP2008	 Tyco Electronics Corporation Kawasaki, Japan	
	APVD T.KUDO 02SEP2008		
	PRODUCT SPEC 製品規格 108-5453	NAME 名称 DYNAMIC D5300D 10.16mm PITCH TAB HSG(REVERSE MOUNT TYPE)	
	APPLICATION SPEC 取付適用規格 114-5206	SIZE A4	CAGE CODE 00779
WEIGHT	RESTRICTED TO —		
CUSTOMER DRAWING			SCALE 尺度 NONE
			SHEET 1 OF 1
			REV A