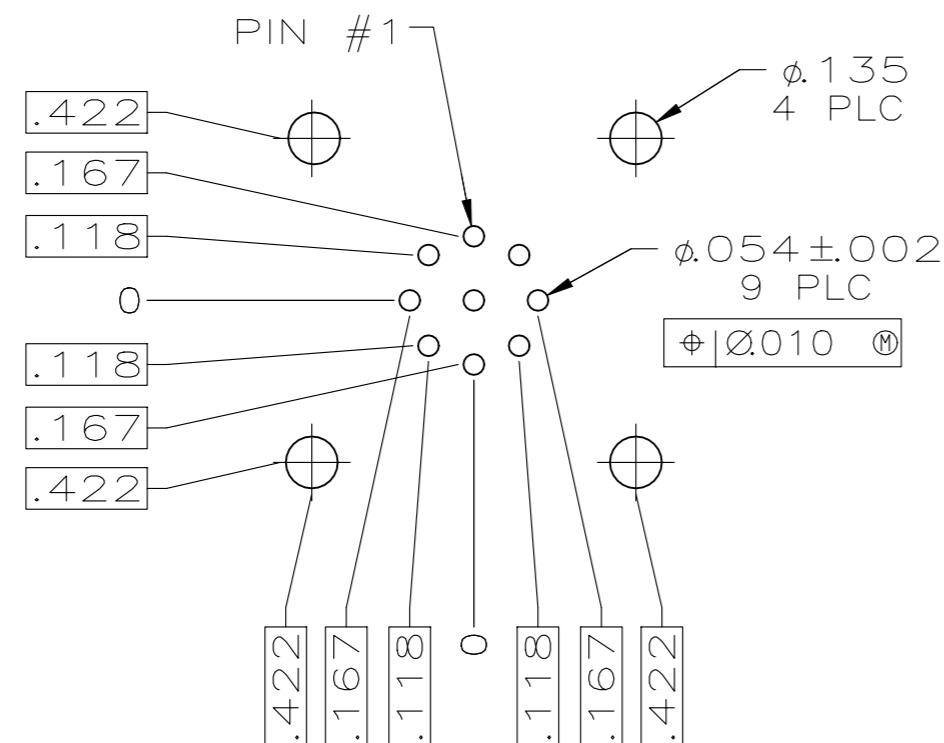
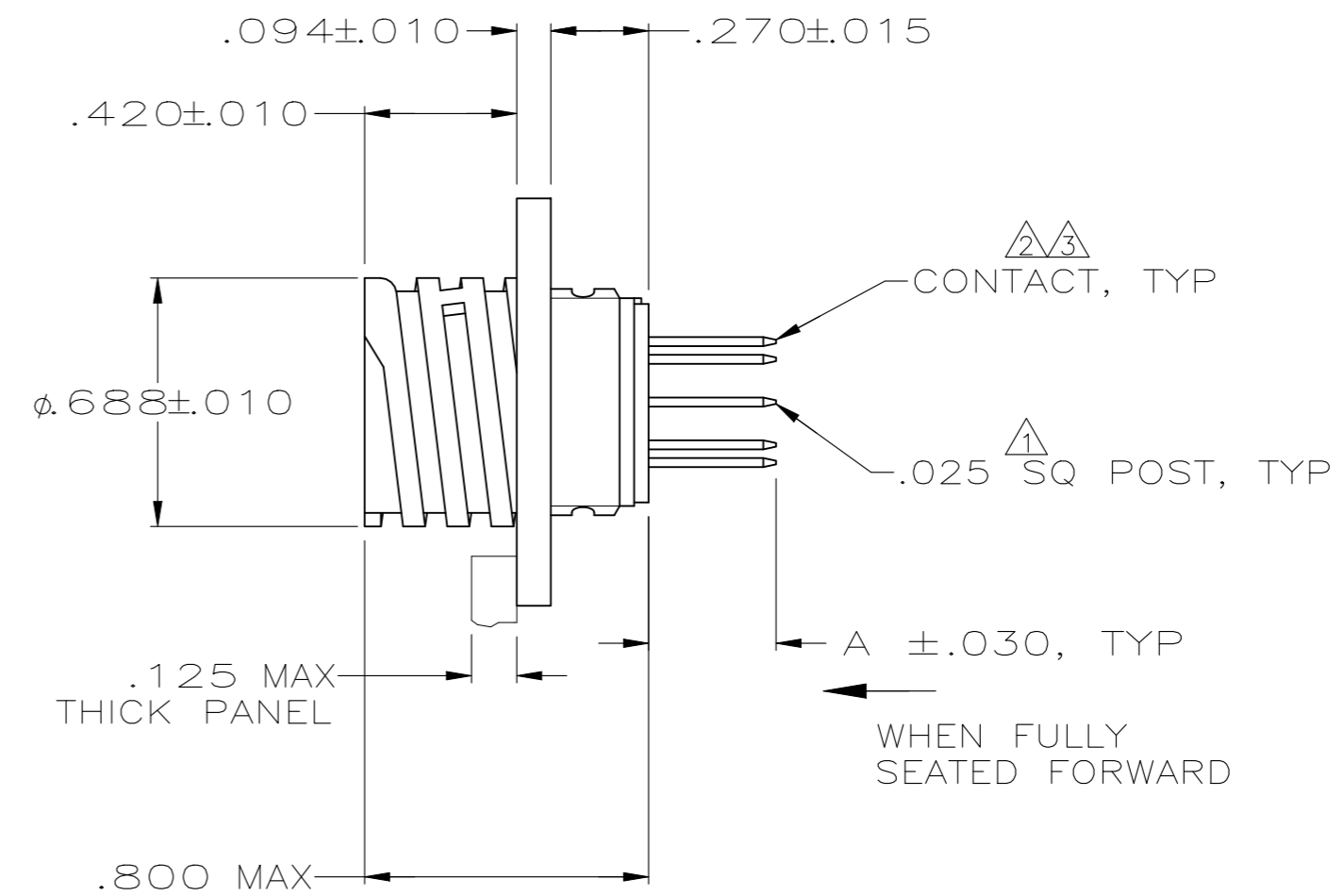
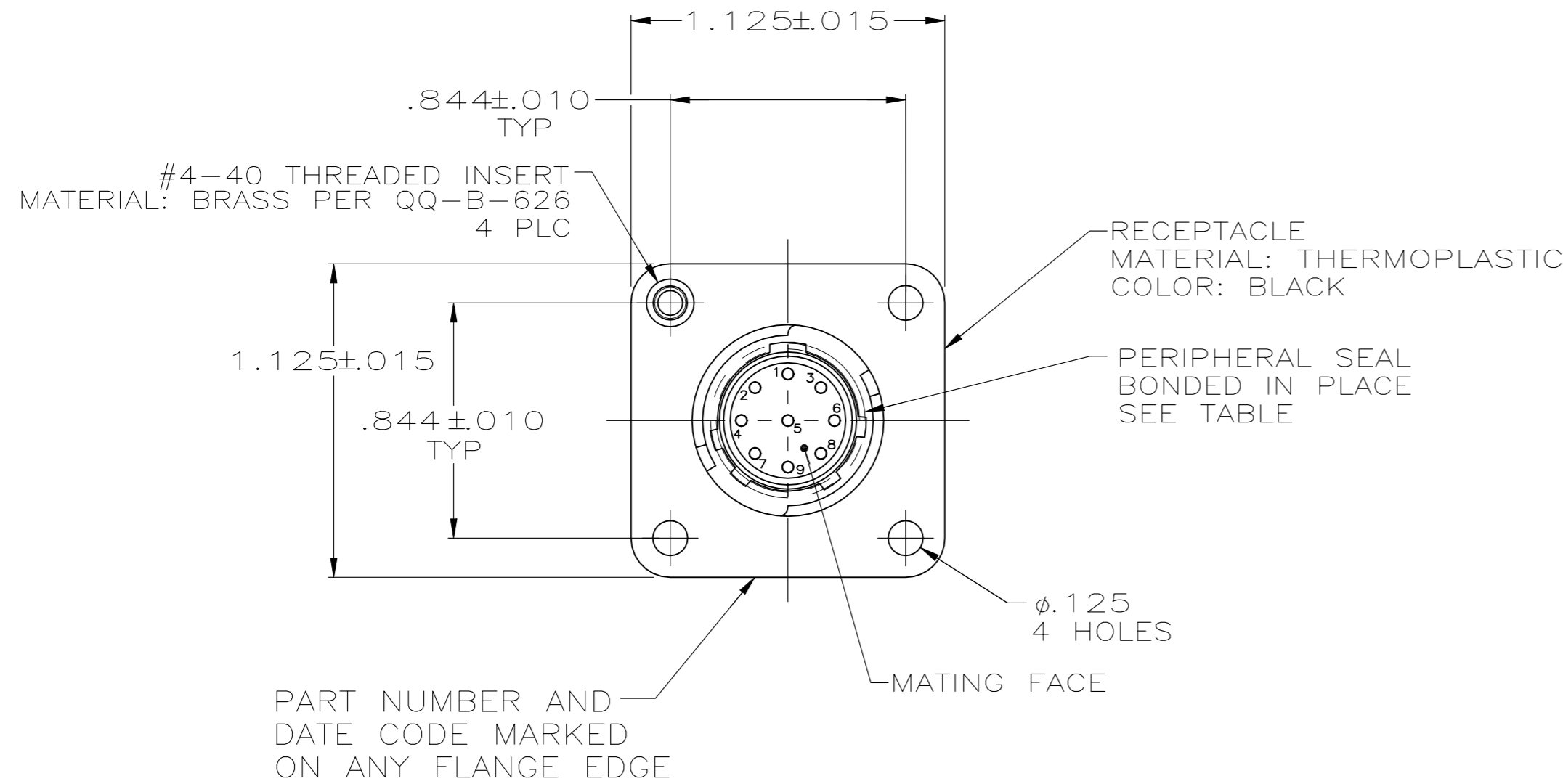


REVISIONS					
P	LTR	DESCRIPTION	DATE	DWN	APVD
V1		REVISED PER ECN-23-205702	12JUL2023	RK	MZ

- 1 POSTS WILL BE ORIENTED WITH SEAM TOWARD INK STAMPED EDGE, OR ROTATED 180°.
- 2 .000030 MIN GOLD FOR A LENGTH OF .200 MIN FROM MATING END, .000100 MIN TIN-LEAD FOR A LENGTH OF DIMENSION 'A' FROM OPPOSITE END, ALL OVER .000050 MIN NICKEL.
- 3 .000030 MIN GOLD FOR A LENGTH OF .200 MIN FROM MATING END, .000100 MIN TIN FOR A LENGTH OF DIMENSION 'A' FROM OPPOSITE END, ALL OVER .000050 MIN NICKEL.



RECOMMENDED PC BOARD LAYOUT

	3	.125	NO	NO	1-206852-2
	3	.352	NO	NO	1-206852-1
OBSOLETE	2	.125	YES	YES	-1-206852-0
OBSOLETE	2	.796	YES	YES	-206852-9
	-	-	NO	YES	206852-8
OBSOLETE	2	-	NO	NO	-206852-7
OBSOLETE	2	-	NO	NO	-206852-6
OBSOLETE	2	-	NO	NO	-206852-5
OBSOLETE	2	.352	NO	NO	-206852-4
OBSOLETE	2	.574	NO	NO	-206852-3
OBSOLETE	2	.125	NO	NO	206852-2
OBSOLETE	2	.352	NO	NO	-206852-1
		CONTACT FINISH	DIM A	PERIPHERAL SEAL	THREADED INSERTS

THIS DRAWING IS A CONTROLLED DOCUMENT.

DWN J GALLUCCI BG 5-22-91
 CHK W.G.LENKER 4-13-92
 APVD - NAME
 PRODUCT SPEC 108-10024
 APPLICATION SPEC -

MATERIAL SEE CALLOUT
 FINISH -
 WEIGHT -
 CUSTOMER DRAWING

SIZE A2
 CAGE CODE 00779
 DRAWING NO C=206852
 RESTRICTED TO -
 SCALE 2:1
 SHEET 1 OF 1
 REV V1

TE TE Connectivity
 RECEPTACLE ASSEMBLY, POSTED, STD SEX, SERIES 2, 11-9, CPC