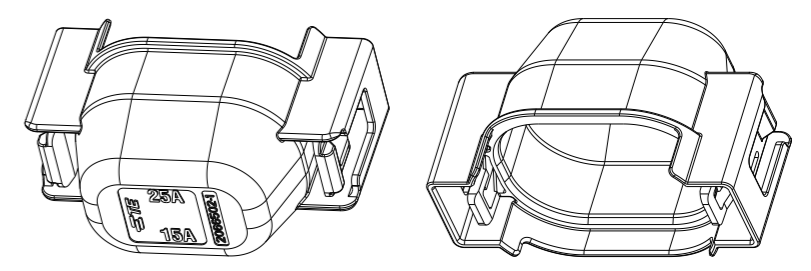
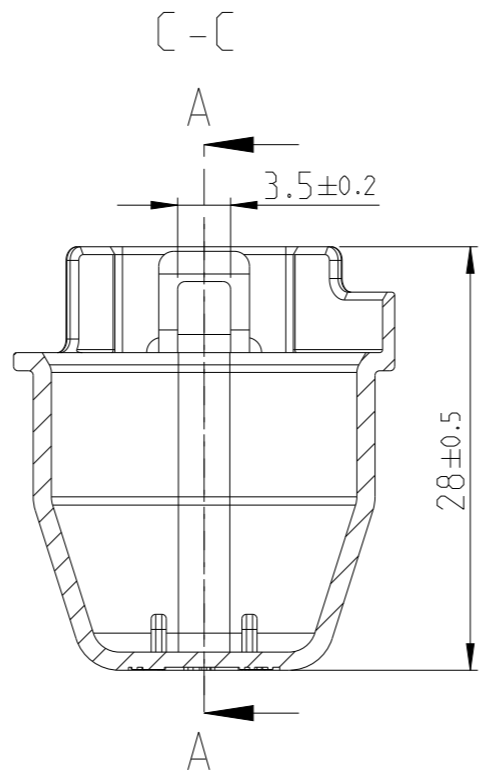
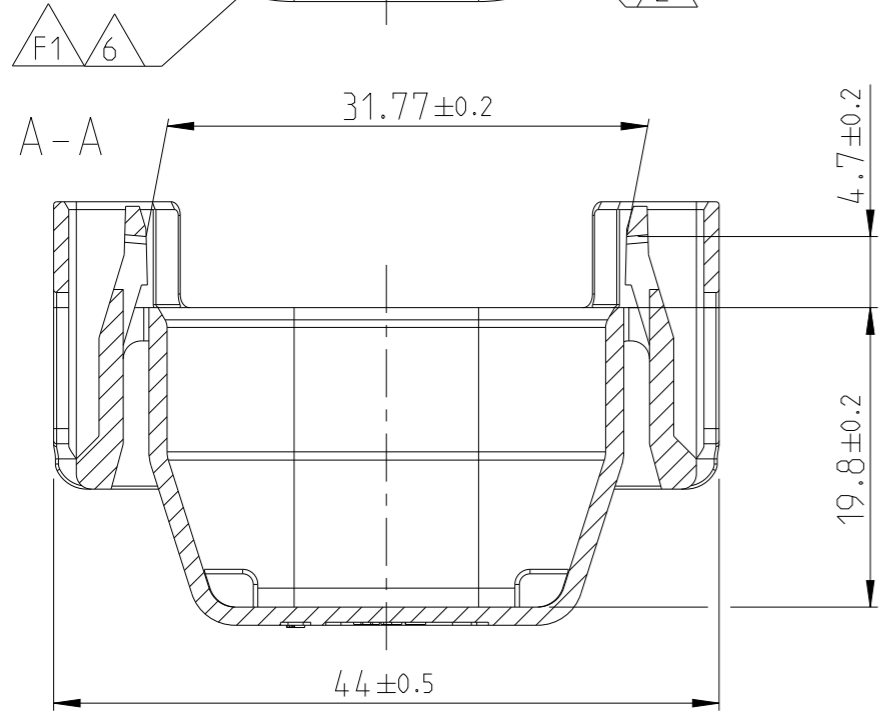
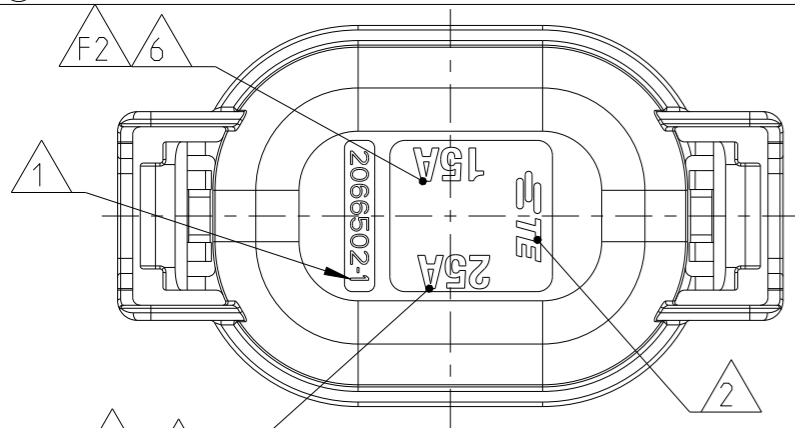


THIS DRAWING IS UNPUBLISHED. RELEASED FOR PUBLICATION 2014  
 © COPYRIGHT 2014 Tyco Electronics AMP GmbH ALL RIGHTS RESERVED.

LOC	DIST	REVISIONS					
IT	-	P	LTR	DESCRIPTION	DATE	DWN	APVD
		A3	ECR-17-002833		27FEB2017	CS	VVB
		B	ECR-19-014414		16SEP2019	STK	VVB
		B1	ECO-20-016025		09NOV2020	STK	DH
		B2	PCN: E-21-002727		08MAR2021	AP	DH

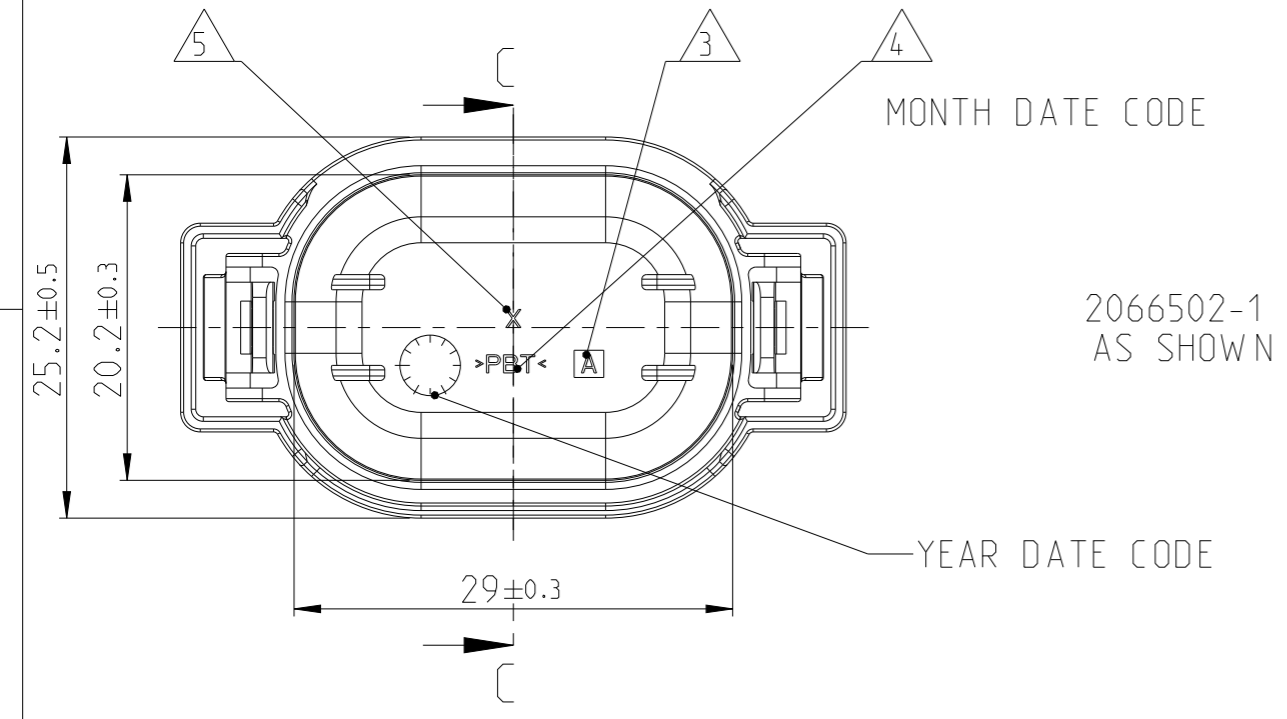
TABLE 1

PART NO.	FUZE CURRENT MATRIX			
	2066502-1	2066502-2	2066502-3	1-2066502-4
F1	25A	25A	-	15A
F2	15A	10A	-	10A



- 1 TE PART NO.
- 2 TE TRADEMARK
- 3 PART REVISION INDEX
- 4 MATERIAL IDENTIFICATION
- 5 MOLD CAVITY IDENTIFICATION NUMBER
- 6 MARKING FOR CURRENT RATING
- 7 15% MAX. PERMITTED REGRIND MATERIAL, PROCESSED IN CLOSED LOOP.

8. DRAWING SHOWN FOR P/N: 2066502-1. REFER TABLE 1 FOR DETAILS REGARDING OTHER PART NUMBERS.



PART STATUS	TE PART NO	REV	DESCRIPTION	MATERIAL	WEIGHT [g]	SURFACE COLOR	ITEM
ACTIVE	1-2066502-4	A	COVER, MINI FUSE 2POS.	PBT(Source 2)	5	BLACK	7
	1-2066502-3	A	COVER, MINI FUSE 2POS.		5	BLACK	6
	1-2066502-2	A	COVER, MINI FUSE 2POS.		5	GRAY	5
	1-2066502-1	A	COVER, MINI FUSE 2POS.		5	BLACK	4
SUPERSEDED BY 1-2066502-3	2066502-3	A	COVER, MINI FUSE 2POS.	PBT(Source 1)	5	BLACK	3
SUPERSEDED BY 1-2066502-2	2066502-2	A	COVER, MINI FUSE 2POS.		5	GRAY	2
SUPERSEDED BY 1-2066502-1	2066502-1	A	COVER, MINI FUSE 2POS.		5	BLACK	1

THIS DRAWING IS A CONTROLLED DOCUMENT.

DWN VISHWA. A 19JUN2012  
 CHK MADHUL. L 13JUL2012  
 APVD MADHUL. L 13JUL2012

DIMENSIONS: mm TOLERANCES UNLESS OTHERWISE SPECIFIED: DIN 16901-140

0 PLC ±  
 1 PLC ±  
 2 PLC ±  
 3 PLC ±  
 4 PLC ±  
 ANGLES ±°  
 FINISH -

MATERIAL SEE TABLE

PRODUCT SPEC 108-72108  
 APPLICATION SPEC -  
 WEIGHT -

NAME COVER, 2POS MINIFUSE BOX HOUSING

SIZE A3 CAGE CODE 00779 DRAWING NO C=2066502 RESTRICTED TO

CUSTOMER DRAWING SCALE 2:1 SHEET 1 OF 1 REV B2

TE Connectivity