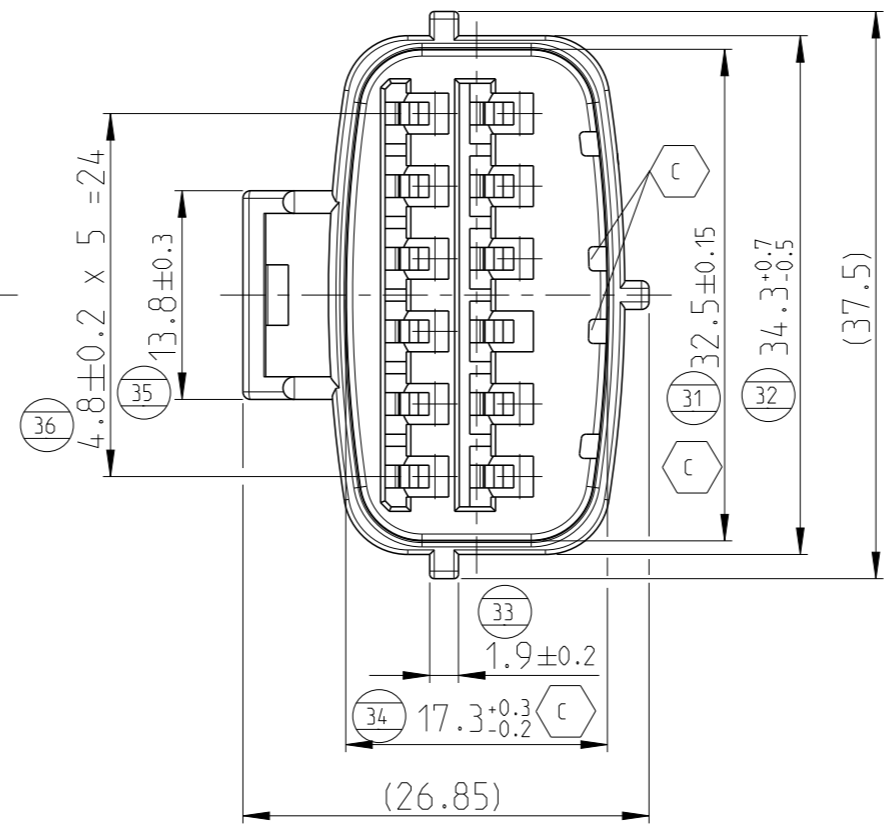
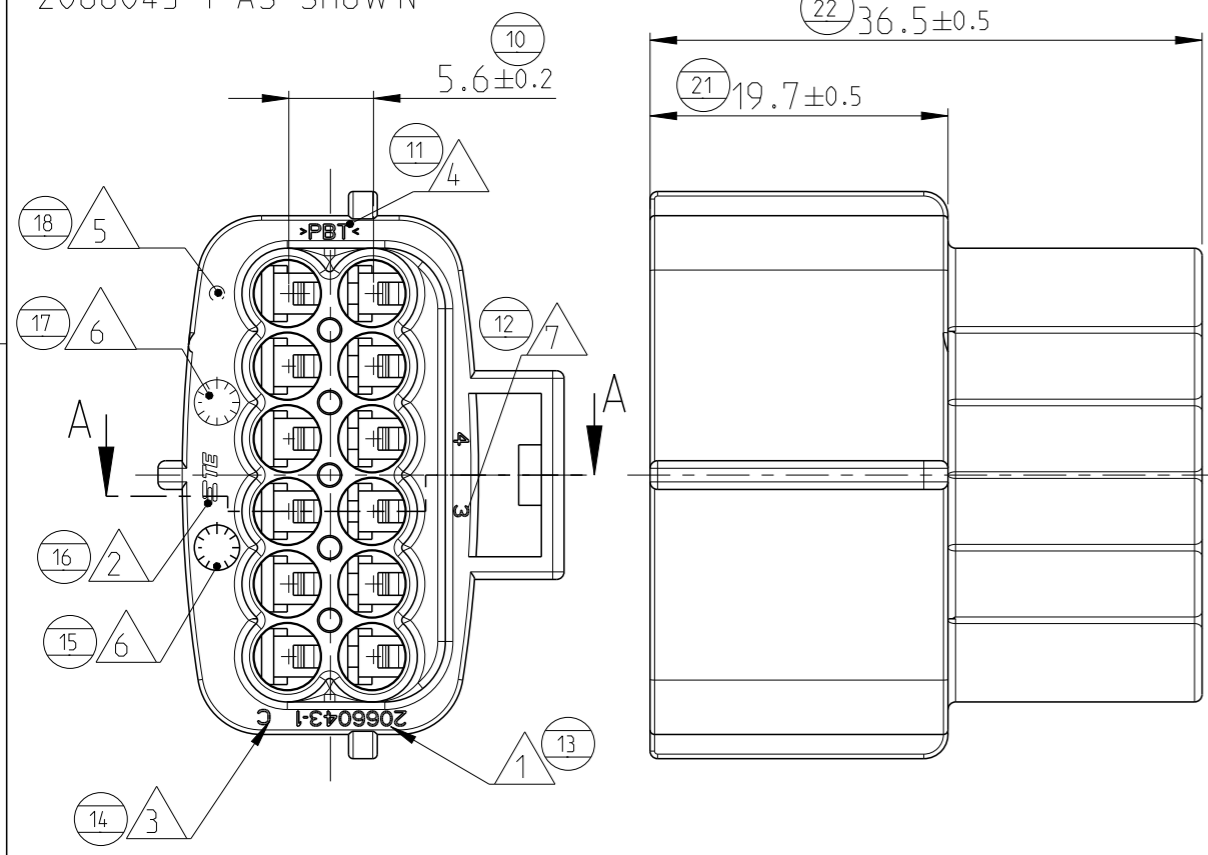


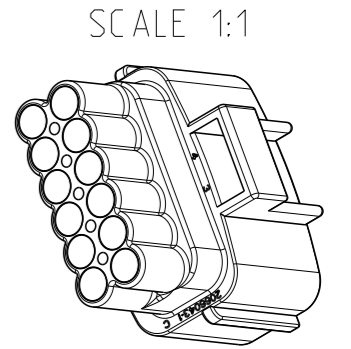
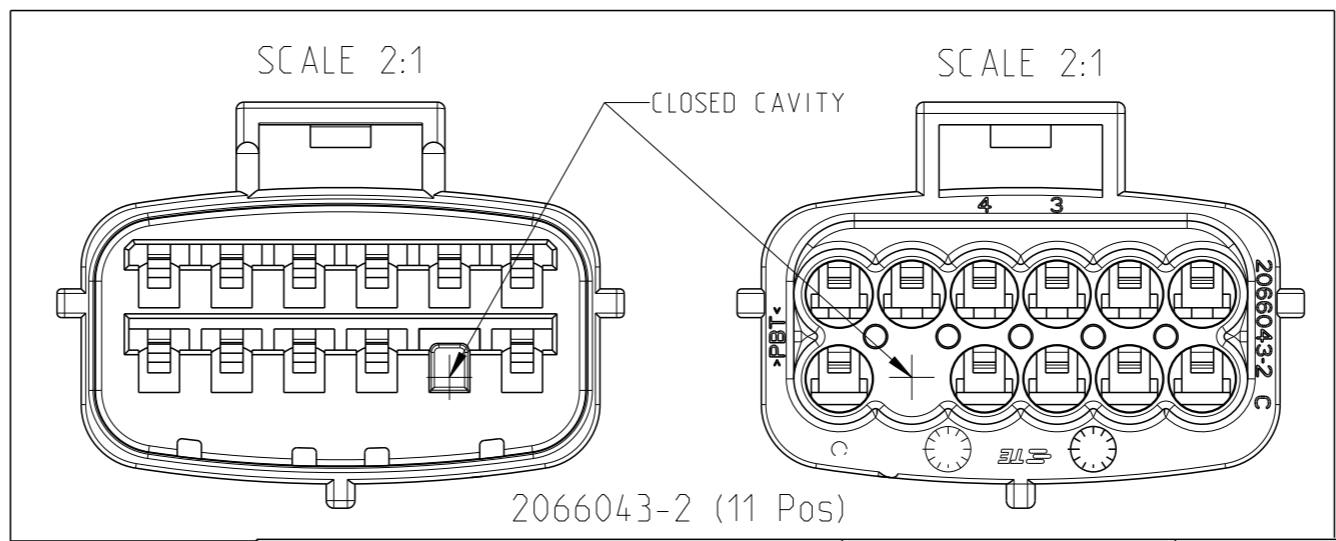
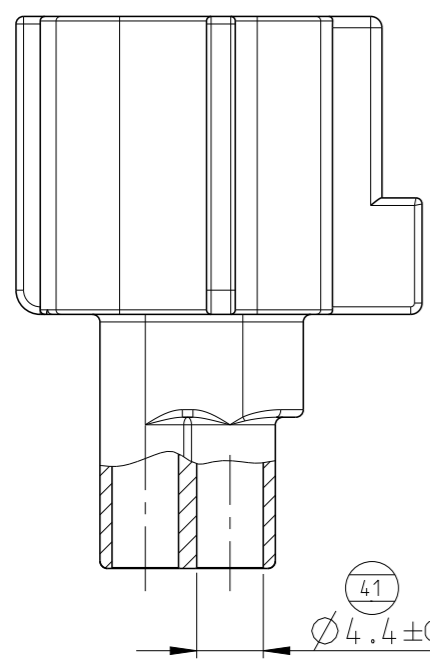
2066043-1 AS SHOWN

REVISIONS					
P	LTR	DESCRIPTION	DATE	DWN	APVD
A		NEW DRAWING	11FEB2014	MT	VVB
B		INBETWEEN CAVITIES RIBS ADDED AND ENTRY ROUND INCREASED	19SEP2014	PV	VVB
B1		NEW VARIANT ADDED(2066043-2) ECR-19-005556	23MAY2019	CHS	VVB
C		AS PER PCN: E-20-010631	11SEP2020	AP	DH



- NOTES:
- 1 TE CONNECTIVITY (TE) PART NUMBER
 - 2 TE TRADEMARK
 - 3 PART REVISION INDEX - SEE TABLE
 - 4 MATERIAL IDENTIFICATION
 - 5 MOLD CAVITY IDENTIFICATION NUMBER
 - 6 PRODUCTION DATE
 - 7 CONTACT CAVITY NUMBERS
 - 8. MATED WITH PLUG HOUSING P/N: 2066042-1/2
 - 9. THIS PART MUST BE USED WITH DOUBLE LOCK PLATE P/N 2066499-1
 - 10. FOR DETAILS OF APPLICABLE TERMINALS, SINGLE WIRE SEAL AND WIRE TYPE - SEE PRODUCT SPEC. : 108-94594 OR EJ MK II SEALED CONNECTOR CATALOGUE

SECTION A-A



TE PART NO.	REV.	POS	MATERIAL	COLOR	DESCRIPTION	ITEM
2066043-2	C	11	PBT	BLACK	12P CAP HOUSING	2
2066043-1	C	12	PBT	BLACK	12P CAP HOUSING	1

THIS DRAWING IS A CONTROLLED DOCUMENT.

DIMENSIONS:	TOLERANCES UNLESS OTHERWISE SPECIFIED:
mm	0 PLC ±
	1 PLC ±
	2 PLC ±
	3 PLC ±
	PLC ±
ANGLES	±
FINISH	-

DWN	Mithun.T	11FEB2014
CHK	Danappa.H	12FEB2014
APVD	V.V. Bidi	12FEB2014
PRODUCT SPEC	108-94594	
APPLICATION SPEC	114-5082	
WEIGHT	8.5 g	

TE Connectivity				NAME		
				12 P. ECONOSEAL J-MARK II+ CONNECTOR CAP HOUSING		
SIZE	CAGE CODE	DRAWING NO	RESTRICTED TO			
A3	00779	C=2066043	-			
Customer Drawing		SCALE	SHEET	REV		
		2:1	1 OF 1	C		