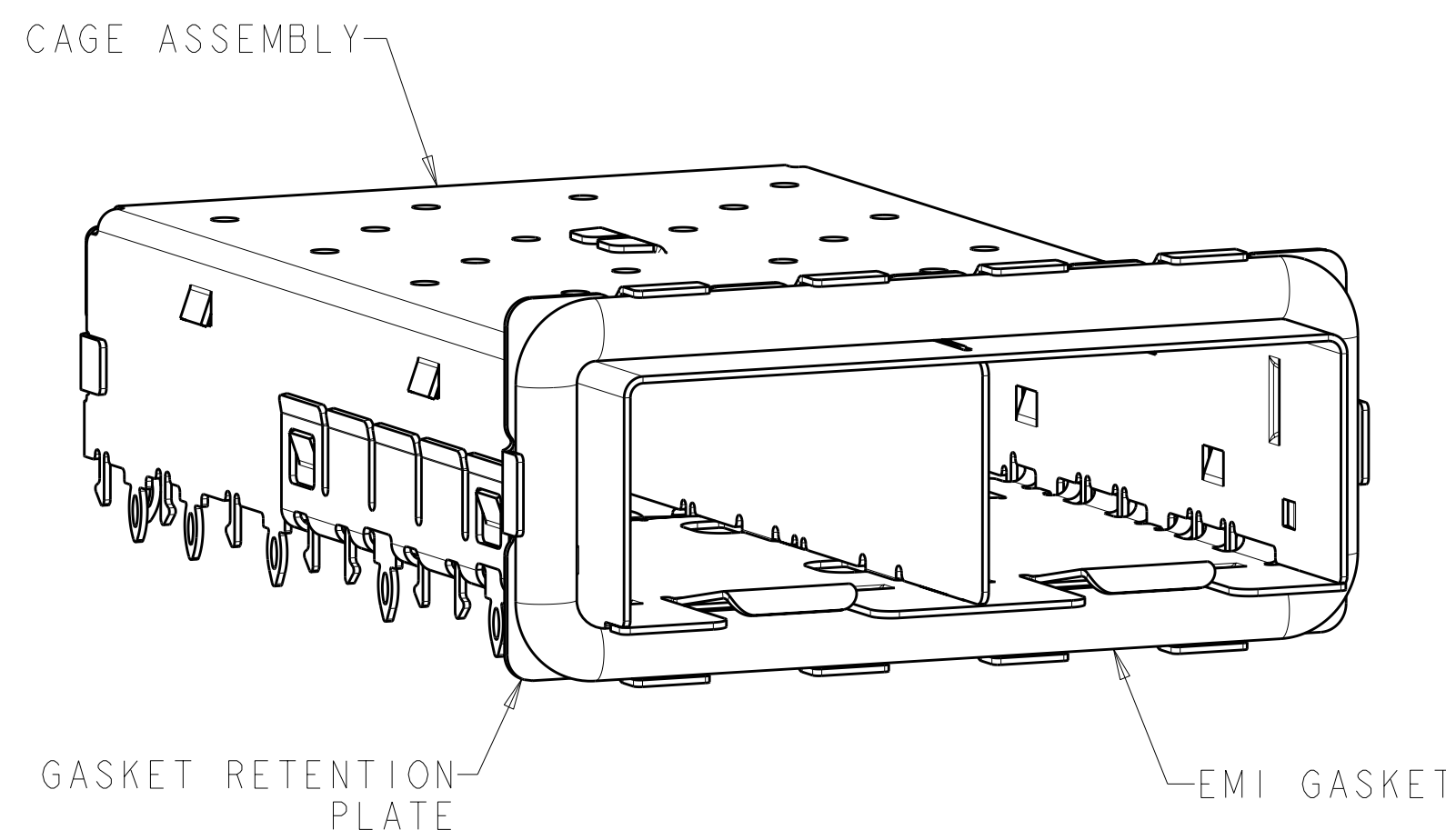
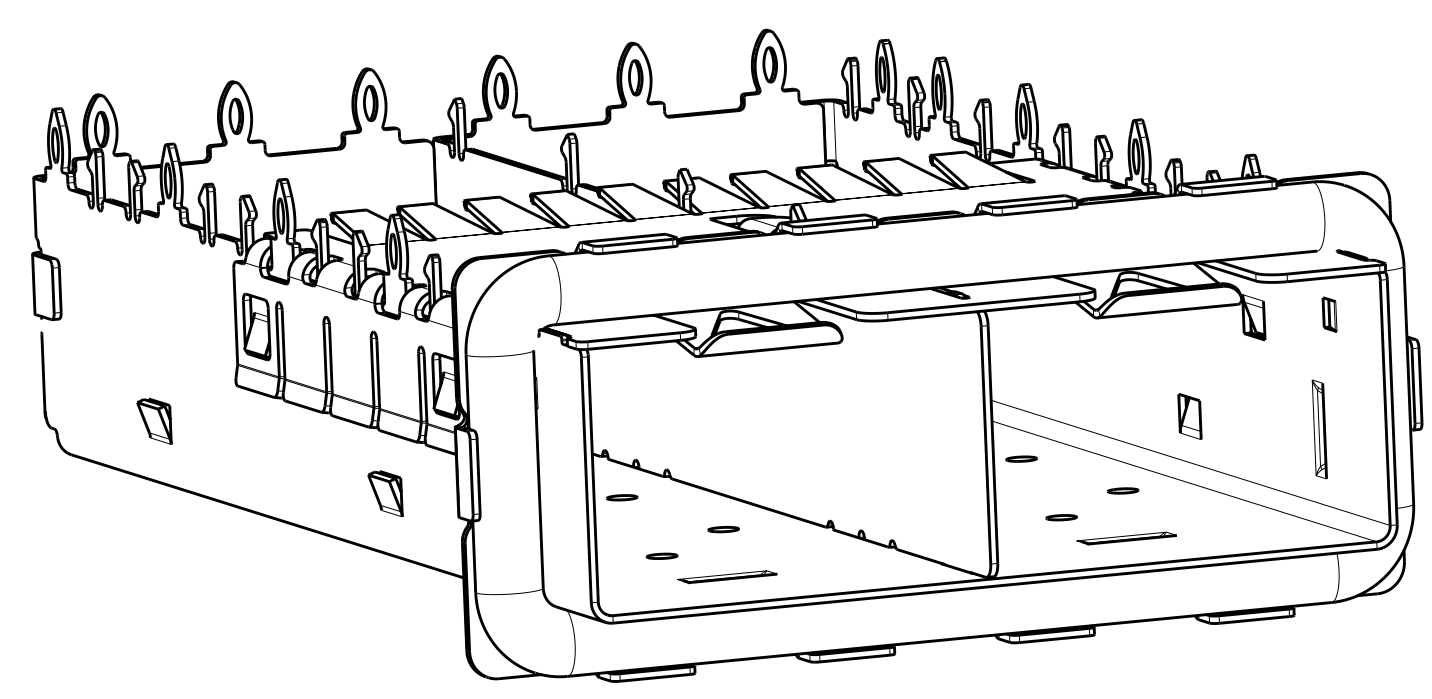


LOC	DIST	REV	DESCRIPTION	DATE	OWN	APPD
GP	00	A	RELEASED PER ECO-10-025263	17FEB2011	CJV	JTL

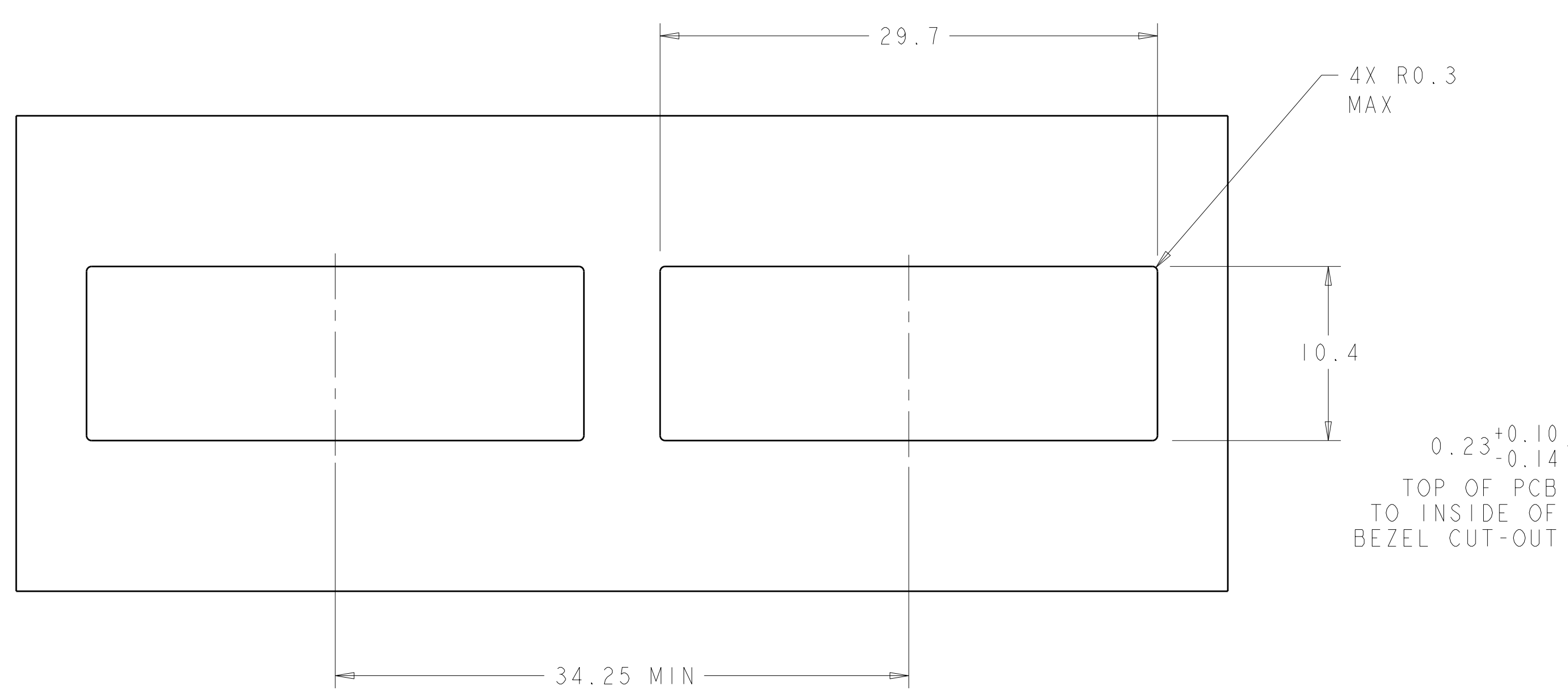
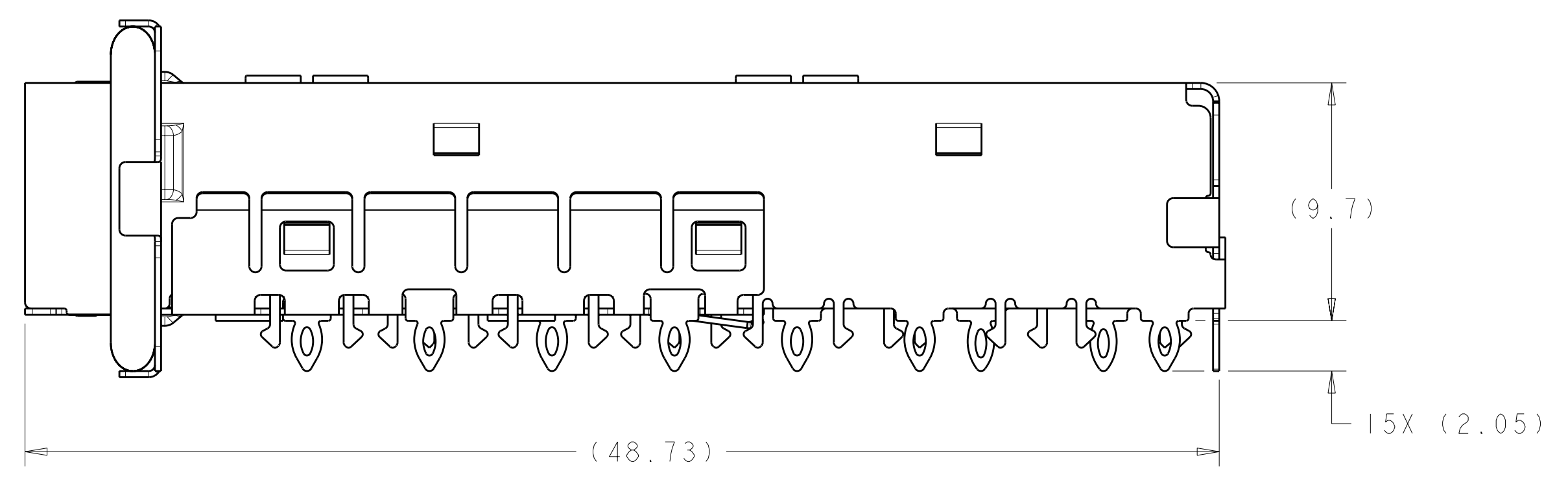
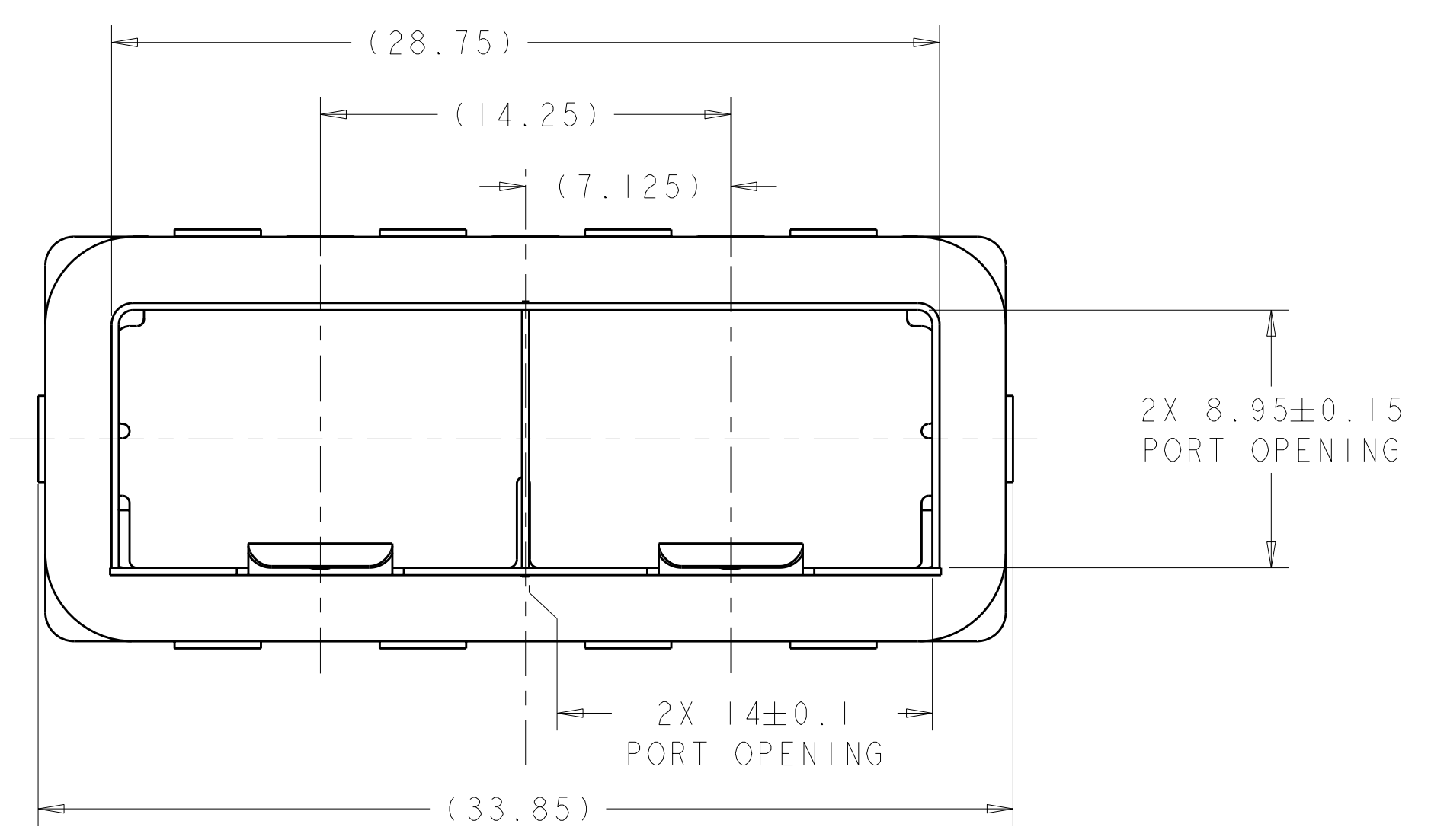


2057070-1
 SCALE 4:1

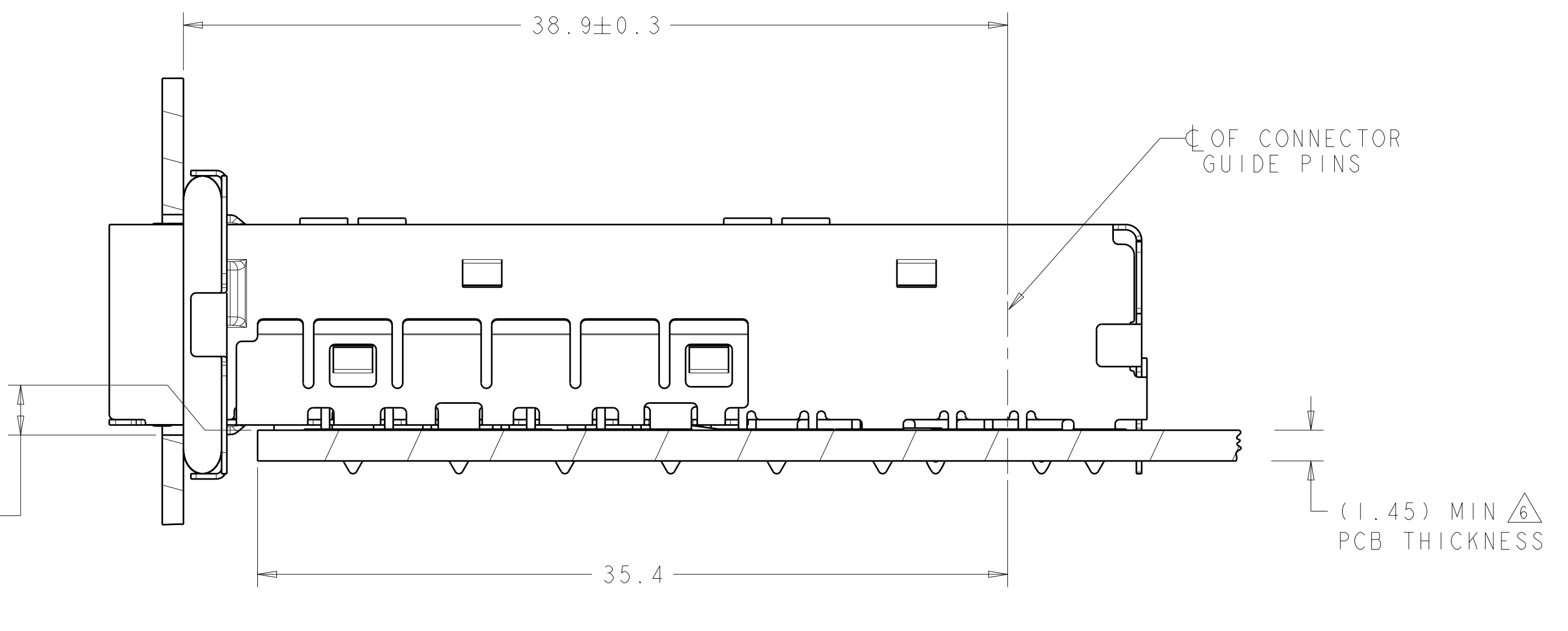


ISOMETRIC BOTTOM VIEW
 SCALE 4:1

- △ MATERIAL:
 CAGE ASSEMBLY: NICKEL SILVER ALLOY, 0.25mm THK.
 GASKET RETENTION PLATE: STAINLESS STEEL
 EMI GASKET: PLATED FILLED SILICONE
- △ DATUM AND BASIC DIMENSION ESTABLISHED BY CUSTOMER.
- 3. MATES WITH SFP MSA COMPLIANT TRANSCEIVERS.
- △ PADS AND VIAS CHASSIS GROUND.
- 5. INTERPRETATION OF DATUM REFERENCE FRAME IN ACCORDANCE WITH SECT 4.4.1.1 OF ASME Y14.5M-1994.
- △ MINIMUM PC BOARD THICKNESS:
 SINGLE SIDED = 1.45mm
- △ HOLE PATTERN REPEATS FOR EACH PORT, SPACING BETWEEN PORTS IS 14.25mm.
- △ REFERENCE APPLICATION SPEC. 114-13120, HOLE A, FOR RECOMMENDED DRILL HOLE DIAMETER AND PLATING THICKNESS.
- △ REFERENCE APPLICATION SPEC. 114-13120, HOLE B, FOR RECOMMENDED DRILL HOLE DIAMETER AND PLATING THICKNESS.



RECOMMENDED BEZEL CUT-OUT
 SCALE 4:1

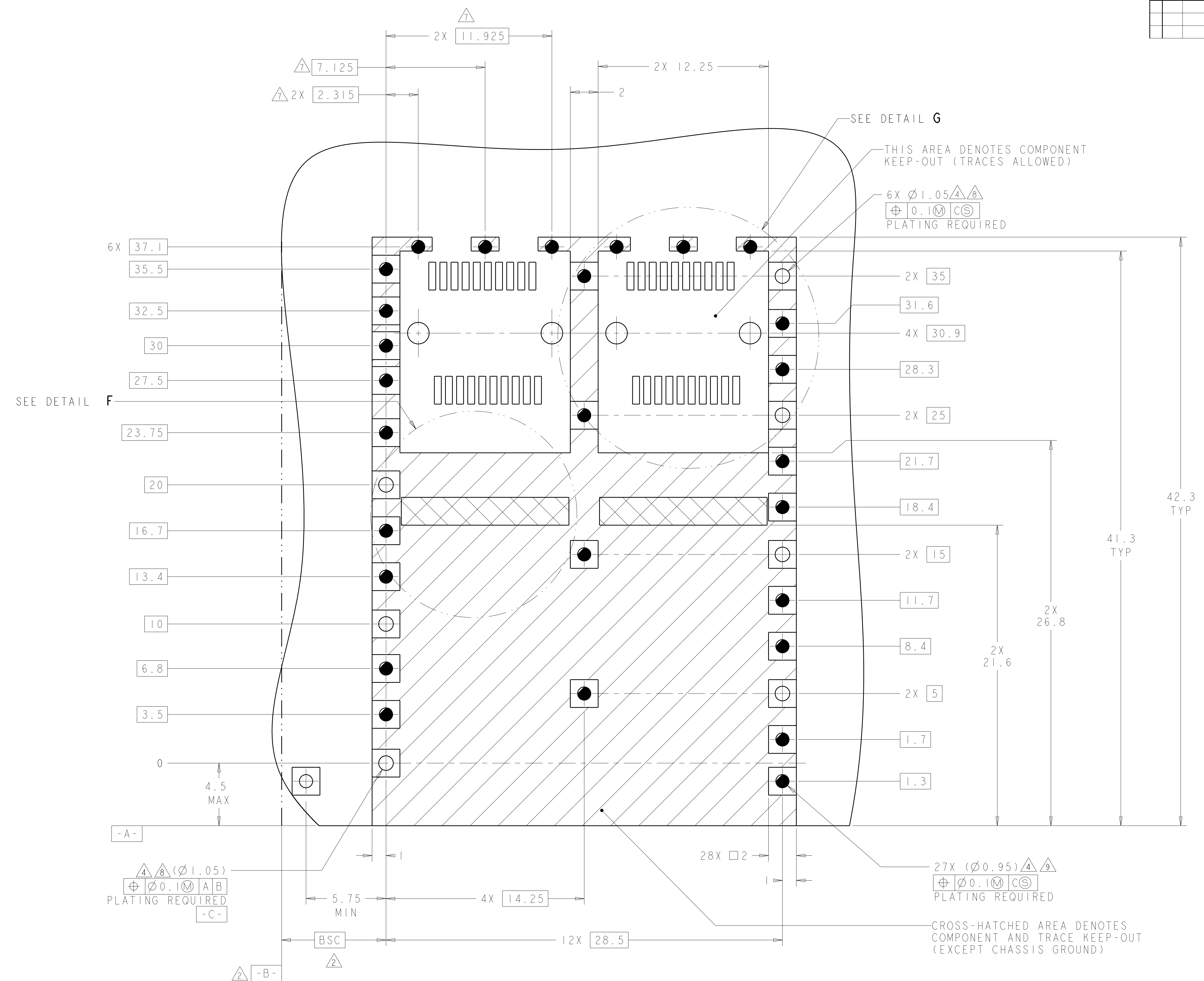


2057070-1
 MOUNTED ON PCB, SHOWN THRU RECOMMENDED BEZEL

2057070-1
 PART NUMBER

DIMENSIONS: mm 		TOLERANCES UNLESS OTHERWISE SPECIFIED: 9 PLC ±0.13 1 PLC ±0.1 2 PLC ±0.08 3 PLC ±0.05 4 PLC ±0.05 ANGLES ±1°		DWN Z.M.REAM 12MAY2008 CHK M.R.SCHMITT 12MAY2008 APVD R.H.WERTZ 12MAY2008		Tyco Electronics Harrisburg, PA 17105-3608	
MATERIAL △ FINISH -		PRODUCT SPEC 108-2364 APPLICATION SPEC 114-13120		NAME SFP+ ENHANCED, 1X2 CAGE ASSEMBLY, PRESS FIT, EMI GASKET		SIZE CAGE CODE DRAWING NO RESTRICTED TO A 00779 C-2057070 -	
CUSTOMER DRAWING		WEIGHT -		SCALE 2:1		SHEET 1 OF 3 REV A	

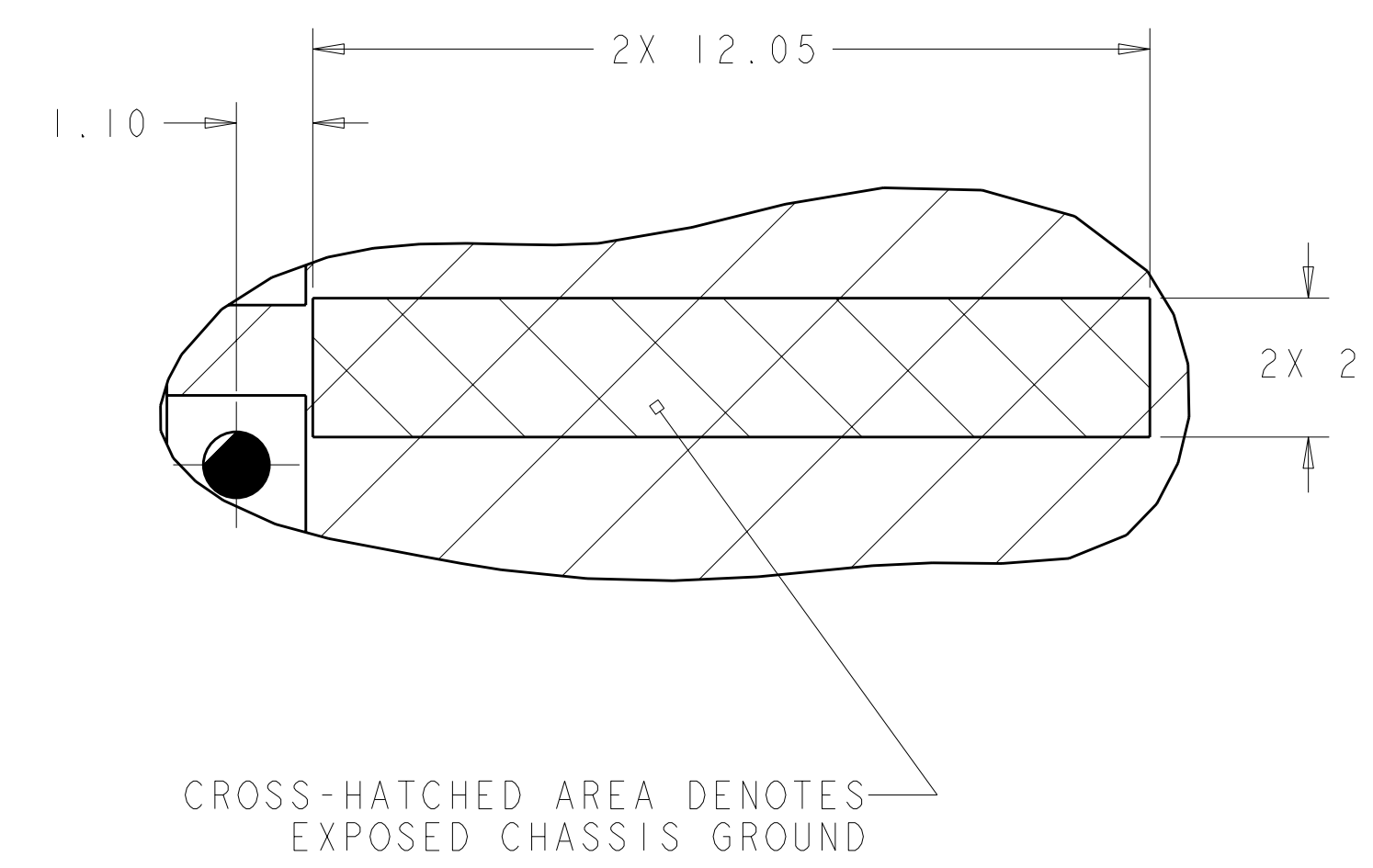
LOC	DIST	REV	DATE	BY	APPD
GP	00				
REVISIONS					
		1	SEE SHEET 1		



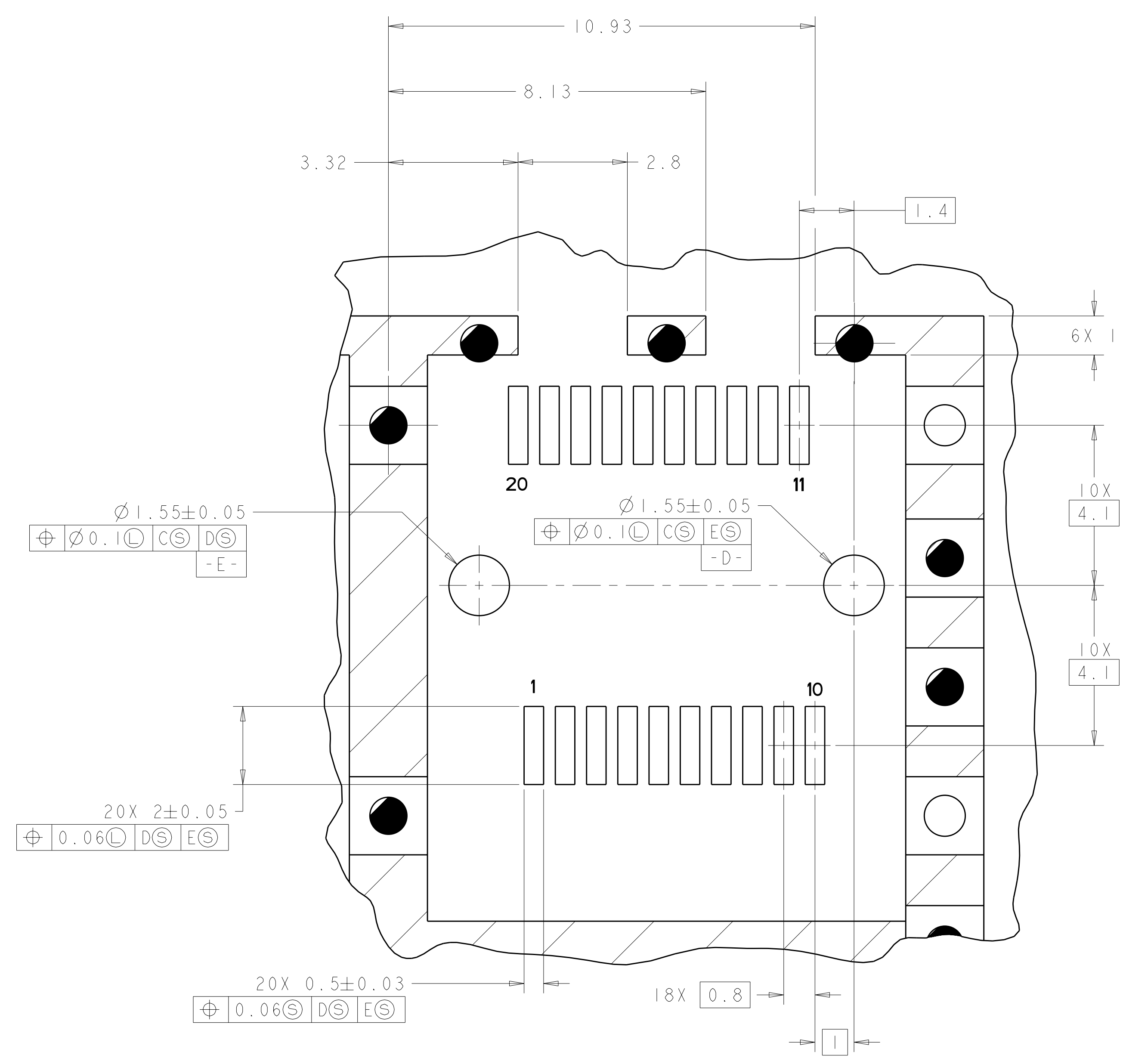
RECOMMENDED PCB CONFIGURATION
 W/ KEEP-OUT AREAS
 SINGLE SIDED APPLICATIONS
 SCALE 7:1

DIMENSIONS: mm 		TOLERANCES UNLESS OTHERWISE SPECIFIED: 9 PLC ± 0.13 1 PLC ± 0.1 2 PLC ± 0.08 3 PLC ± 0.05 4 PLC ± 0.05 ANGLES $\pm 1^\circ$		DWN Z.M. BEAM 12MAY2008 CHK M.R. SCHMITT 12MAY2008 APVD P.H. WERTZ 12MAY2008		Tyco Electronics Harrisburg, PA 17105-3608	
MATERIAL: - FINISH: -		PRODUCT SPEC 108-2364 APPLICATION SPEC 114-13120		NAME SFP+ ENHANCED, 1X2 CAGE ASSEMBLY, PRESS FIT, EMI GASKET		SIZE CAGE CODE DRAWING NO A 00779 C-2057070	
CUSTOMER DRAWING		WEIGHT: -		RESTRICTED TO: -		SCALE 2:1 SHEET 2 OF 3 REV A	

LOC	DIST	REVISIONS			
GP	00	REV	DATE	BY	APPD
-	-	SEE SHEET 1	-	-	-



DETAIL F
SCALE 10:1



DETAIL G
RECOMMENDED PT CONNECTOR LAYOUT
2X INDIVIDUALLY
SCALE 12:1

DIMENSIONS: mm 		TOLERANCES UNLESS OTHERWISE SPECIFIED: 9 PLC ±0.13 1 PLC ±0.1 2 PLC ±0.08 3 PLC ±0.05 4 PLC ±0.05 ANGLES ±1°		DWN Z. M. BEAM 12MAY2008 CHK M. R. SCHMITT 12MAY2008 APVD P. H. WERTZ 12MAY2008		Tyco Electronics Harrisburg, PA 17105-3608	
MATERIAL: - FINISH: -		PRODUCT SPEC: 108-2364 APPLICATION SPEC: 114-13120		NAME: SFP+ ENHANCED, 1X2 CAGE ASSEMBLY, PRESS FIT, EMI GASKET		SIZE: A1 CAGE CODE: 00779 DRAWING NO: C=2057070	
CUSTOMER DRAWING		SCALE: 2:1		SHEET: 3 OF 3		REV: A	