

THIS DRAWING IS UNPUBLISHED.

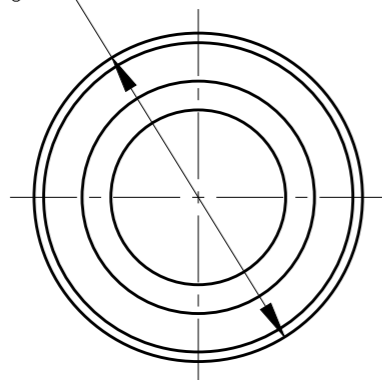
RELEASED FOR PUBLICATION

© COPYRIGHT - BY - ALL RIGHTS RESERVED.

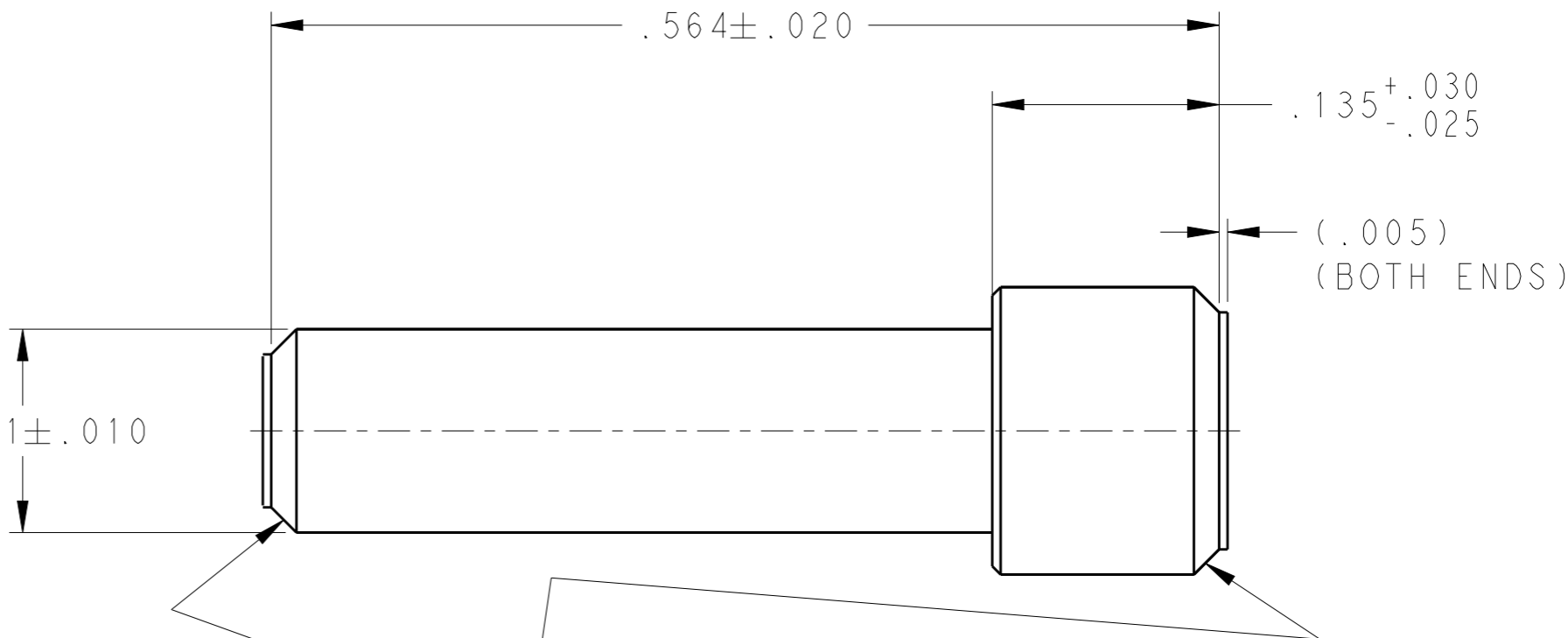
REVISIONS

P	LTR	DESCRIPTION	DATE	DWN	APVD
	A	REV PER ECO 18-000371	11JAN2018	CT	EO

∅ .171 ± .005



∅ .121 ± .010



1 MAT'L: POLYTETRAFLUROETHYLENE; COLOR: YELLOW

2. COMPLIES WITH MS27488-12.

205574-1

PART NUMBER

THIS DRAWING IS A CONTROLLED DOCUMENT.

DWN C.C. THOMAS 11 JAN 2018

CHK E. OCHOA 1-11-18

APVD E. OCHOA 1-11-18

PRODUCT SPEC -

APPLICATION SPEC -

WEIGHT -

CUSTOMER DRAWING



TE Connectivity

NAME SEALING PLUG, SIZE 12, ARINC

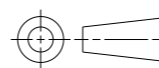
SIZE CAGE CODE DRAWING NO RESTRICTED TO

A300779 C-205574

SCALE 10:1 SHEET 1 OF 1 REV A

DIMENSIONS: INCHES

TOLERANCES UNLESS OTHERWISE SPECIFIED:



0 PLC	±-
1 PLC	±-
2 PLC	±-
3 PLC	±-
4 PLC	±-
ANGLES	±2°

MATERIAL FINISH

