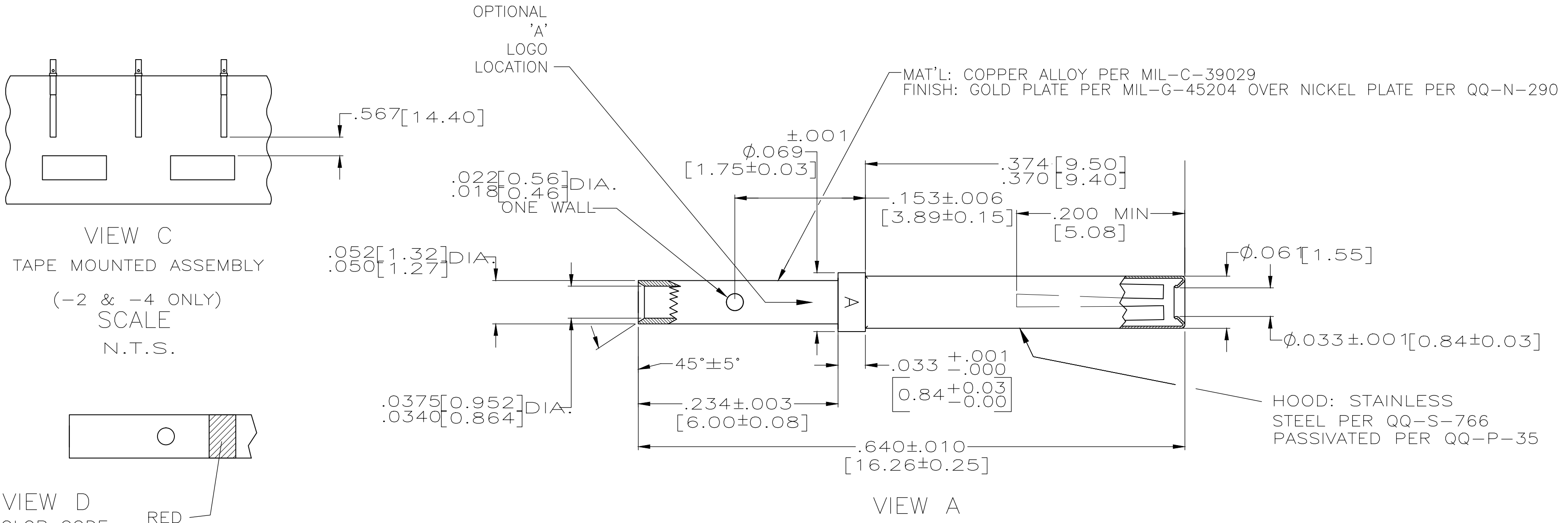
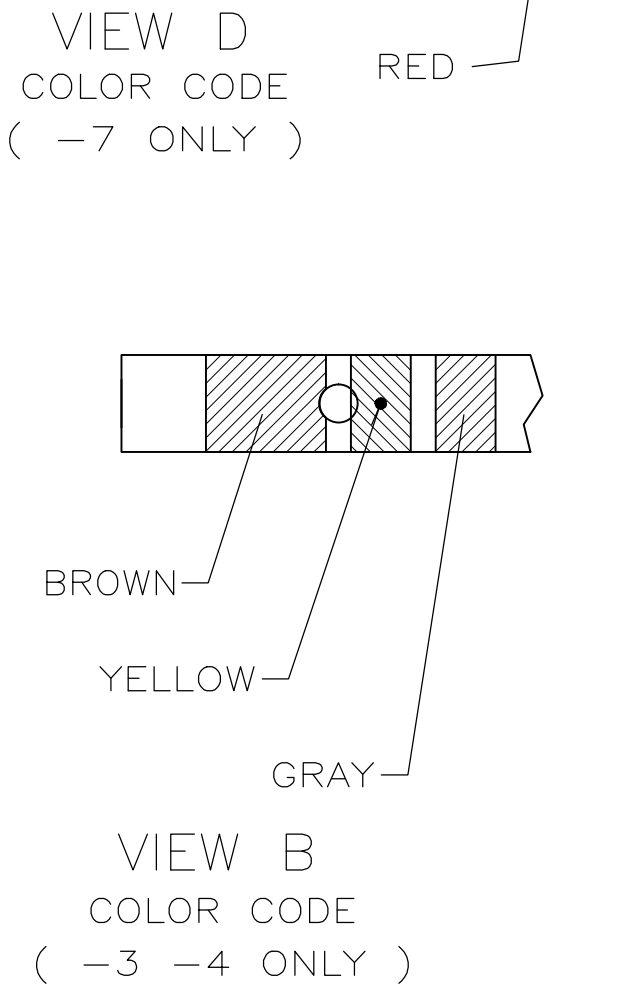


| LOC | | DIST | | REVISIONS | | | |
|-----|-----|-------------|---------------------------|-----------|------|----|--|
| P | LTR | DESCRIPTION | DATE | DWN | APVD | | |
| DF | A0 | W | REVISED PER ECO-14-012828 | 30AUG2014 | MGM | CT | |



| | | |
|----------|--------------|----------|
| OBSOLETE | ----- | 205103-8 |
| | SEE VIEW D | 205103-7 |
| OBSOLETE | ----- | 205103-6 |
| OBSOLETE | ----- | 205103-5 |
| OBSOLETE | SEE VIEW B+C | 205103-4 |
| | SEE VIEW B | 205103-3 |
| OBSOLETE | ----- | 205103-2 |
| | SEE VIEW A | 205103-1 |
| | REMARKS | PART NO. |



| | | | | | | | | |
|--|--|------------------|--------------|------------------|---|-----------|------------|---------------|
| THIS DRAWING IS A CONTROLLED DOCUMENT. | | DWN | JESSE BAKER | 08-04-92 | STE TE Connectivity | | | |
| DIMENSIONS: INCHES | | CHK | ALEX SHARPE | 09-16-92 | | | | |
| TOLERANCES UNLESS OTHERWISE SPECIFIED: | | APVD | - | - | ASSEMBLY, SOCKET, SIZE 22 ARINC404, REAR RELEASE | | | |
| 0 PLC ± - | | PRODUCT SPEC | - | - | | | | |
| 1 PLC ± - | | APPLICATION SPEC | - | - | SIZE | CAGE CODE | DRAWING NO | RESTRICTED TO |
| 2 PLC ± - | | MATERIAL | SEE CALLOUTS | WEIGHT | A2 | 00779 | C-205103 | - |
| 3 PLC ± .005 [0.13] | | FINISH | SEE CALLOUTS | CUSTOMER DRAWING | SCALE | 10:1 | SHEET | 1 OF 1 |
| 4 PLC ± - | | | | | | | REV | W |
| ANGLES ± - | | | | | | | | |