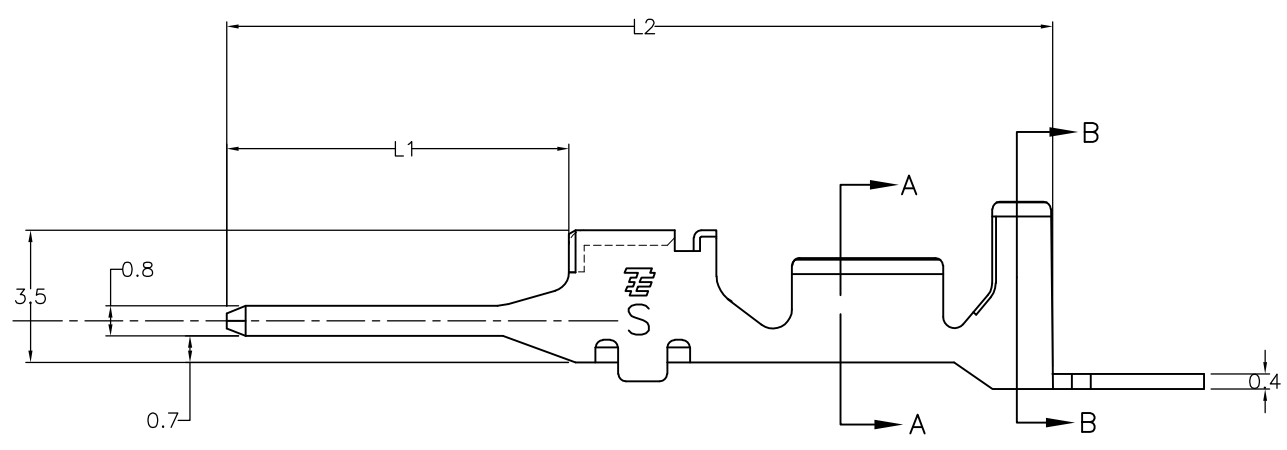
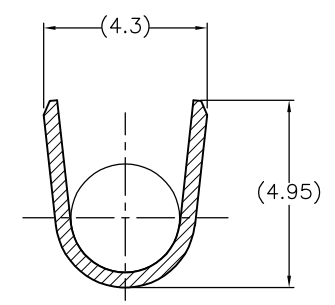
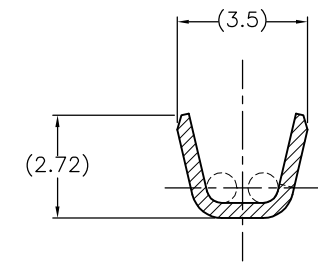
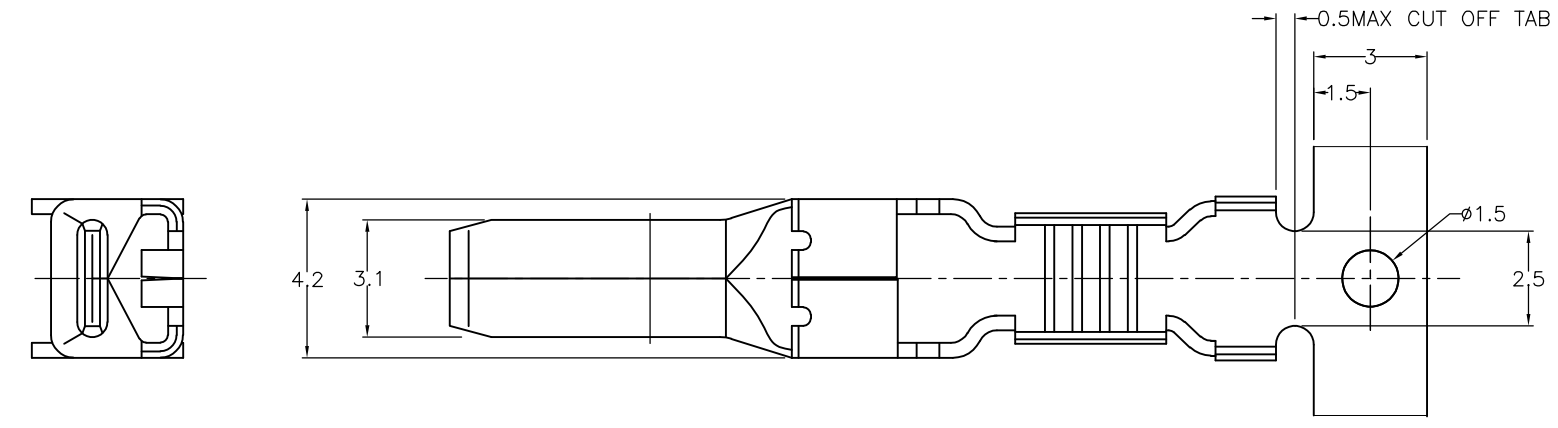
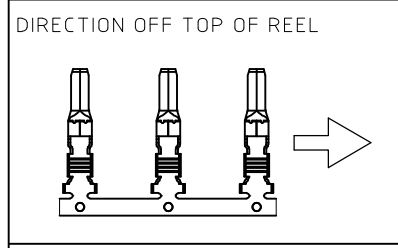


THIS DRAWING IS UNPUBLISHED. RELEASED FOR PUBLICATION JUN , 2008.
 © COPYRIGHT 2008 BY TYCO ELECTRONICS CORPORATION. ALL INTERNATIONAL RIGHTS RESERVED.

| LOC | DIST | REVISIONS 変更 | | | | | |
|-----|------|-----------------|-----|-----------------------|-----------|-----|------|
| J | — | P | LTR | DESCRIPTION | DATE | DWN | APVD |
| | | B | | REVISED ECR-10-016584 | 10AUG2010 | T.T | T.M |



- 1.一般公差：±0.25
- 2.材料：銅合金全面Niめつき1.3μm以上
接点部金めつき0.38μm以上めつき
- 3.適用電線：AWG#20-#16 (被覆外径φ1.8~φ3.23)

- 1.GENERAL TOLERANCE: ±0.25
- 2.MATERIAL: COPPER ALLOY, FINISH: OVER NI PLATING 1.3um MIN.
(CONTACT AREA) 0.38um MIN GOLD PLATING
- 3.APPLICABLE WIRE: AWG#20-#16 (INS DIA φ1.8~φ3.23)

| | | |
|------|-------|-------------|
| 25.5 | 12.75 | 1-2040016-2 |
| 21.8 | 9.05 | 2040016-2 |
| L2 | L1 | PART NUMBER |

| | | | | |
|---|--------------|--|---|--------------------|
| THIS DRAWING IS A CONTROLLED DOCUMENT. | | DWN H.URUSHIBATA 18JUN2008 | Tyco Electronics Corporation Kawasaki, Japan | |
| DIMENSIONS: 単位： 耗 mm | | CHK T.KUDO 18JUN2008 | NAME S.MANABE | |
| TOLERANCES UNLESS OTHERWISE SPECIFIED: 一般公差 | | APVD S.MANABE 18JUN2008 | PRODUCT SPEC 製品規格 108-78182 | |
| 0 PLC ± - 1 PLC ± - 2 PLC ± - 3 PLC ± - 4 PLC ± - ANGLES ± - | | APPLICATION SPEC 取付適用規格 114-5369 | SIZE A3 | CAGE CODE 00779 |
| MATERIAL 材料 COPPER ALLOY | FINISH 仕上 | WEIGHT | DRAWING NO 番号 G-2040016 | RESTRICTED TO |
| CUSTOMER DRAWING | | | SCALE 尺度 5:1 | SHEET 1 OF 1 |
| | | | REV B | |