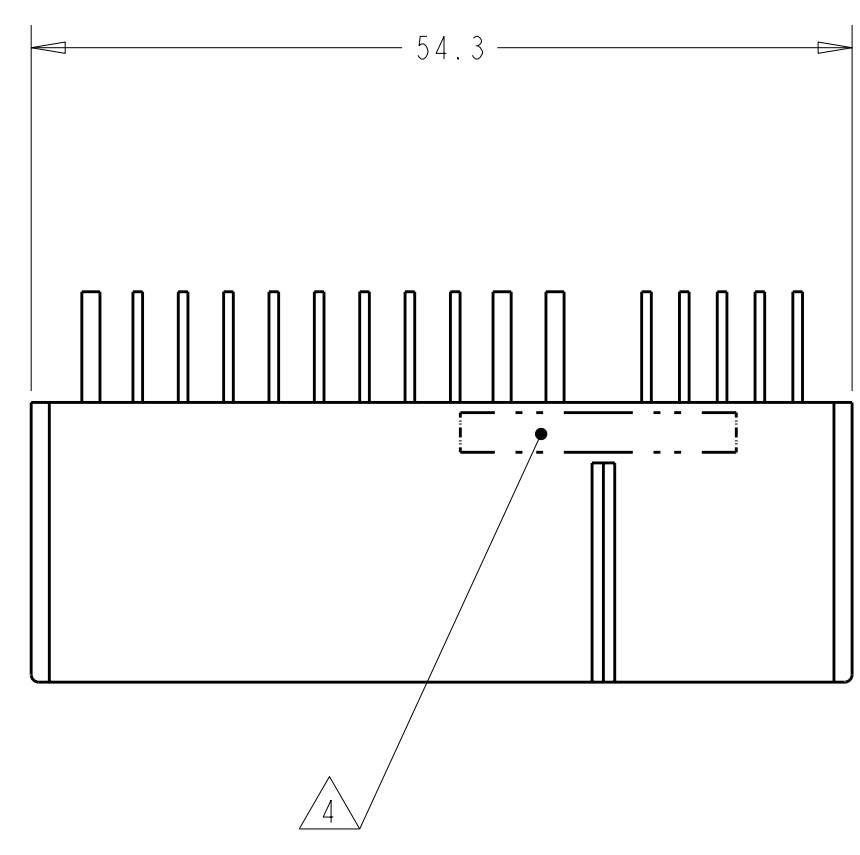
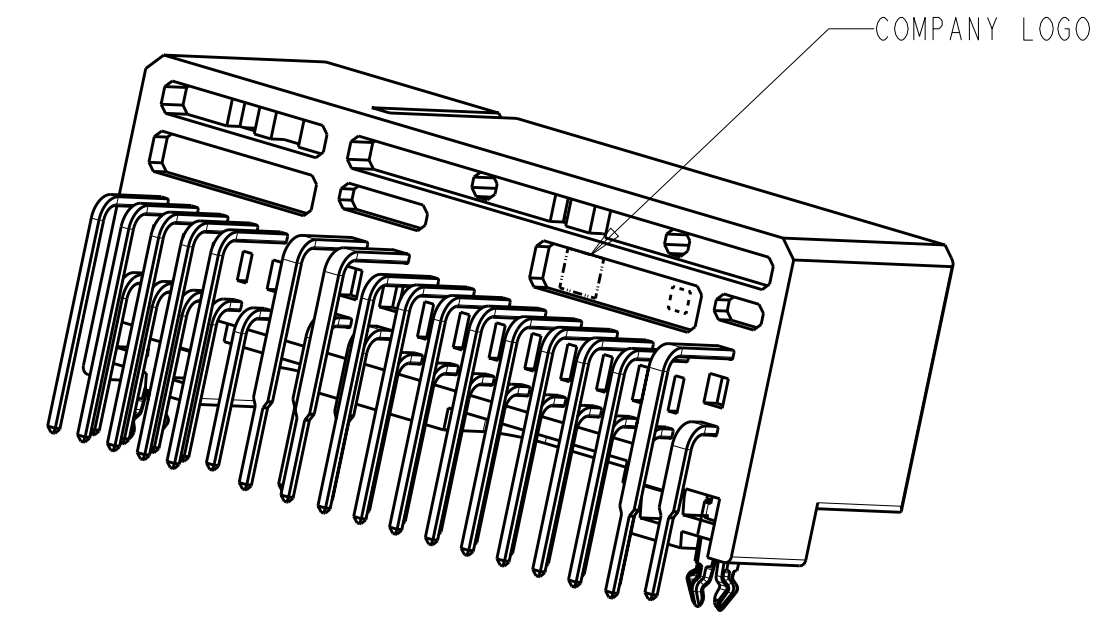
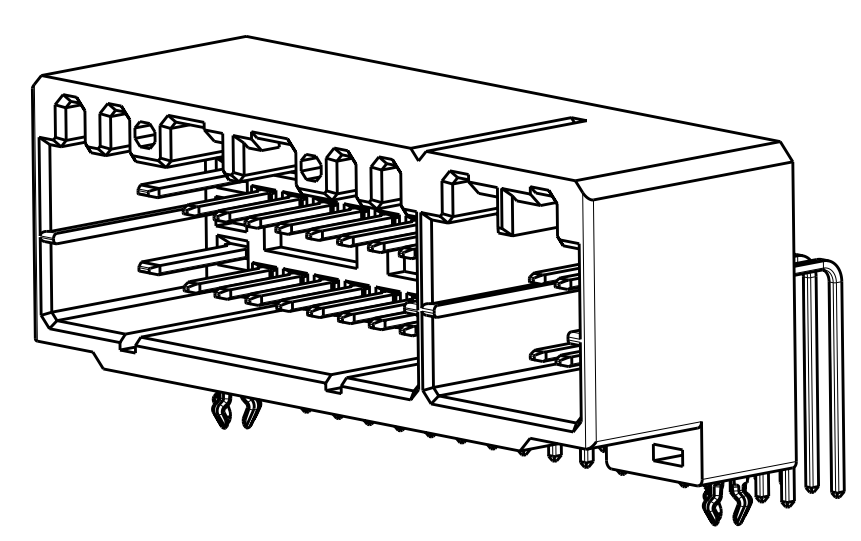
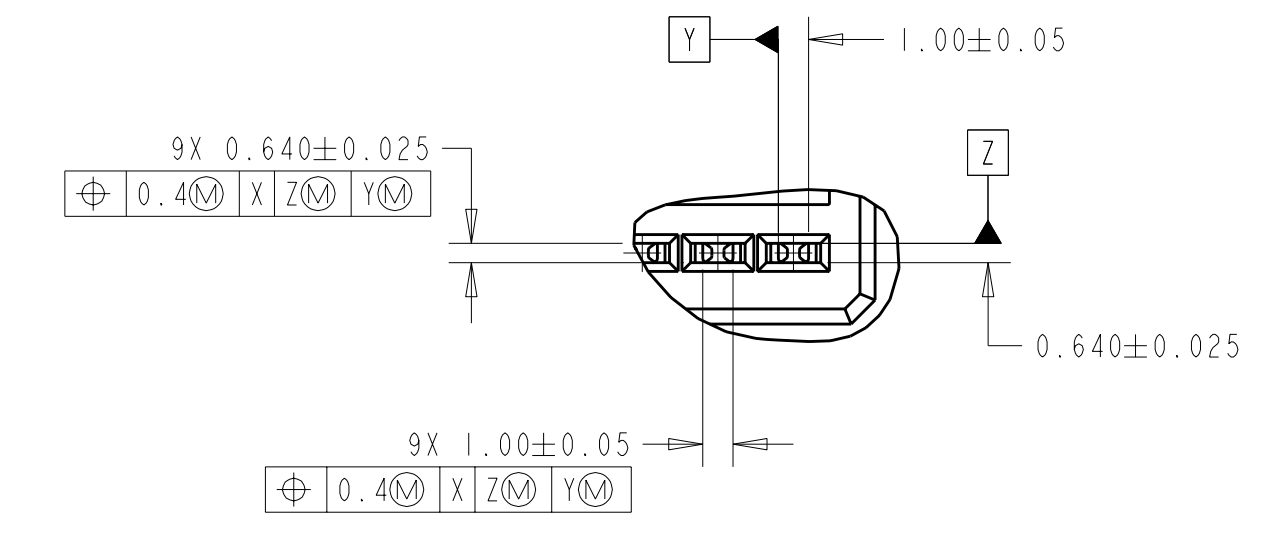
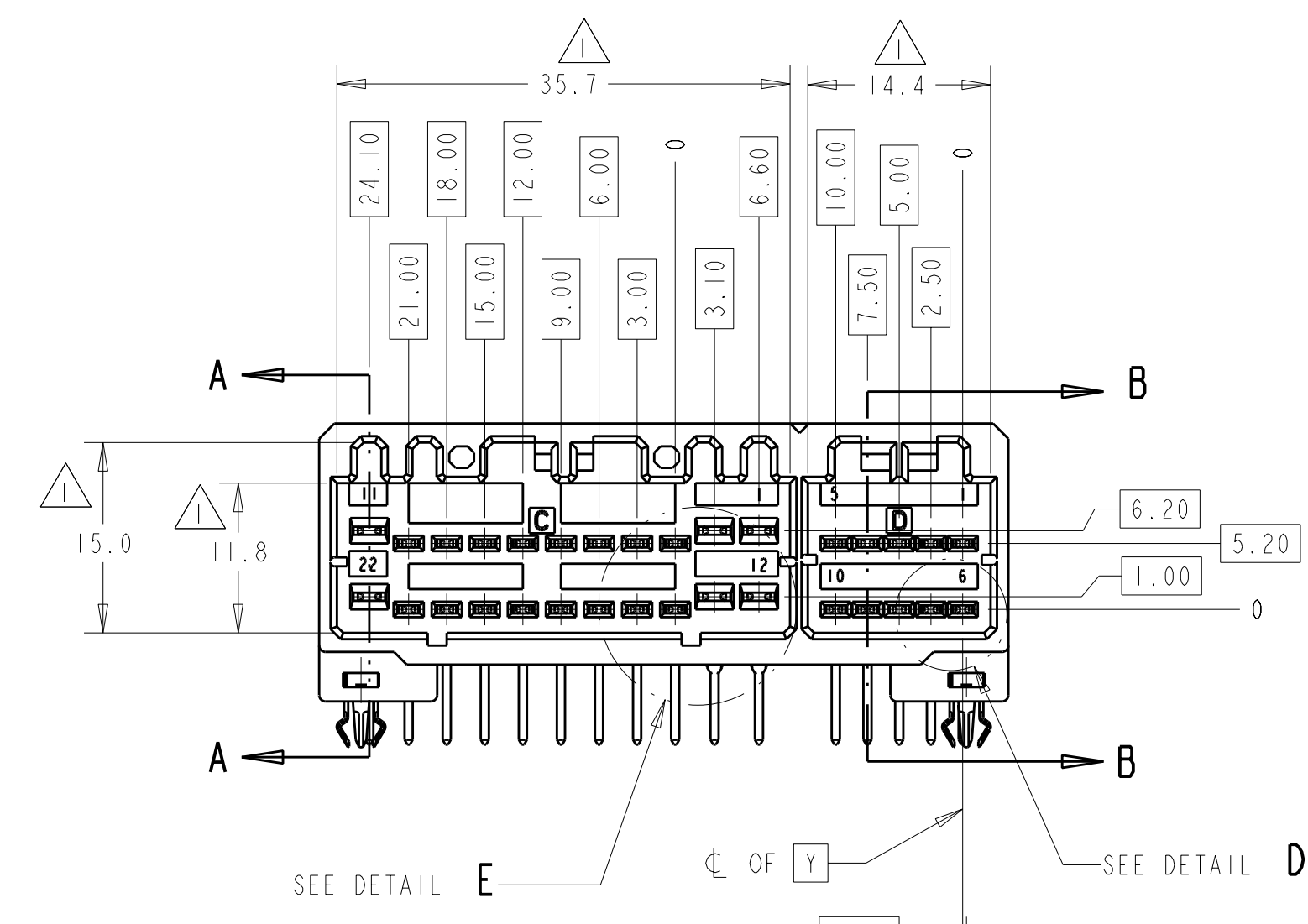
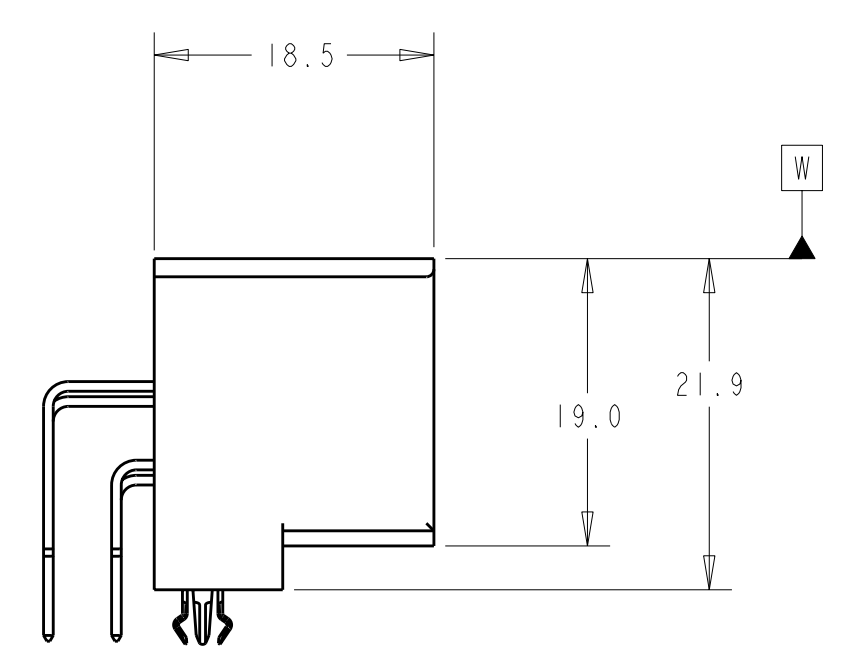


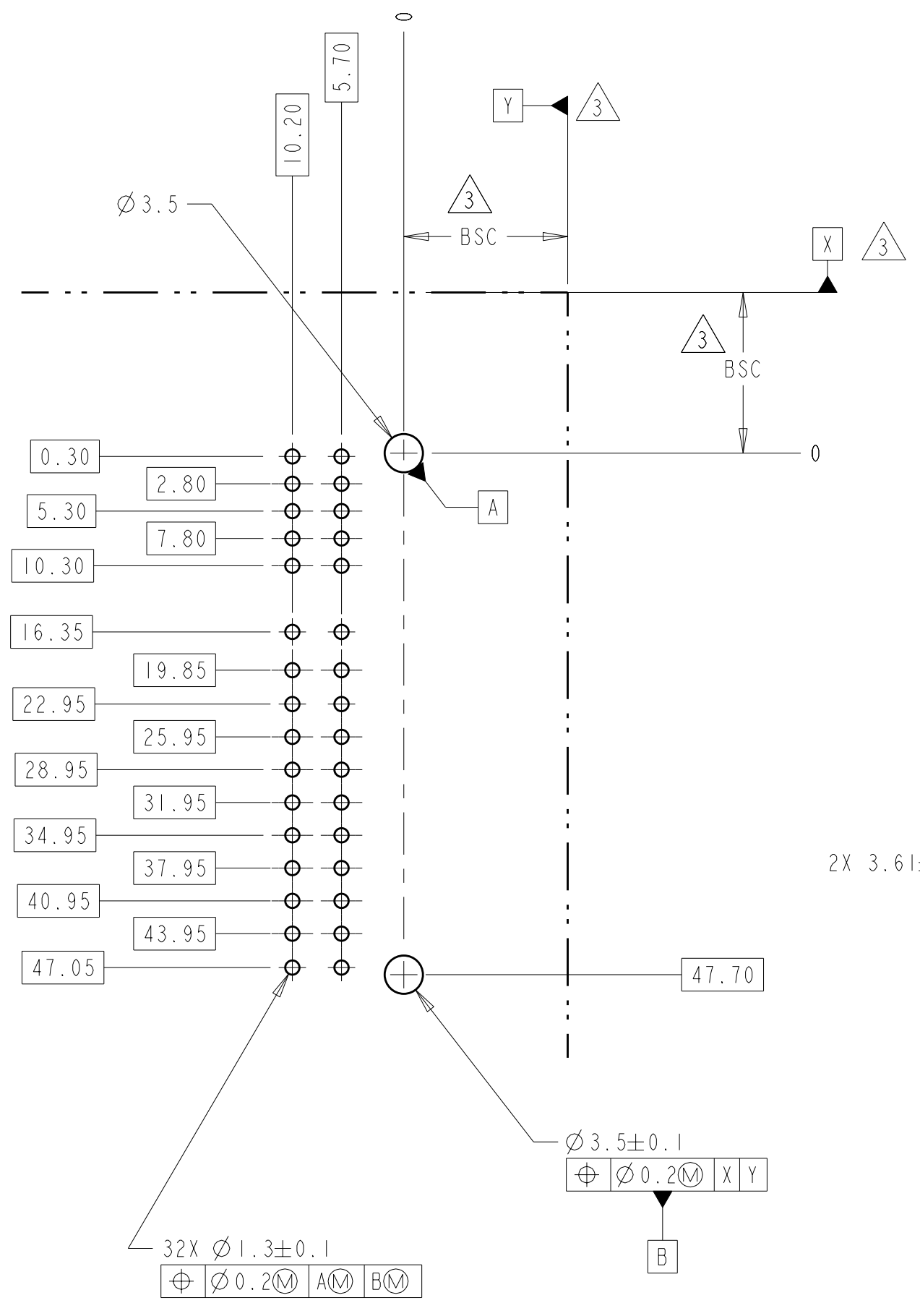
LOC	DIST	REVISIONS			
P	LTB	DESCRIPTION	DATE	DWN	APVD



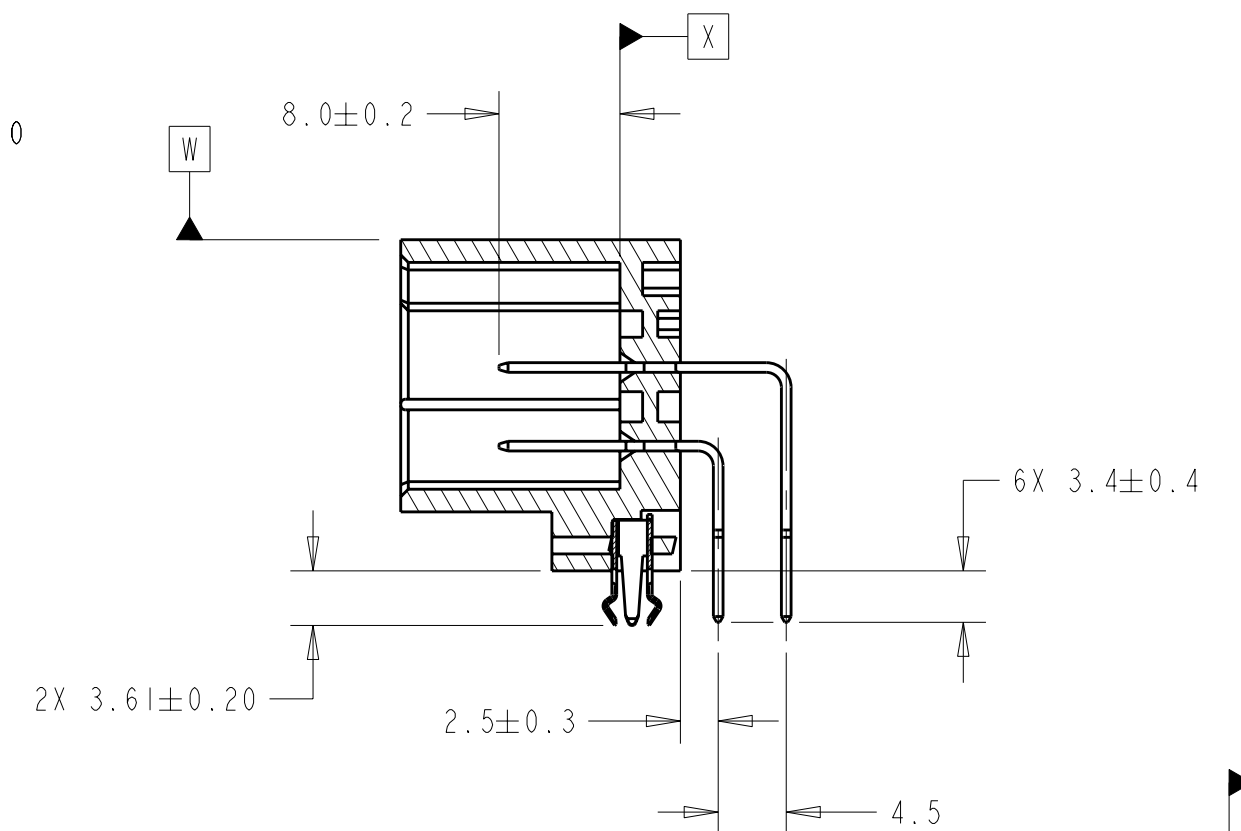
- △ DIMENSION MUST BE HELD BETWEEN [X] AND 2.0mm FROM [X]
- 2. MATING PLUGS: 22 POS 917989-2
10 POS 638207-6
- △ DATUMS AND BASIC DIMENSIONS ESTABLISHED BY CUSTOMER.
- △ DATE CODE



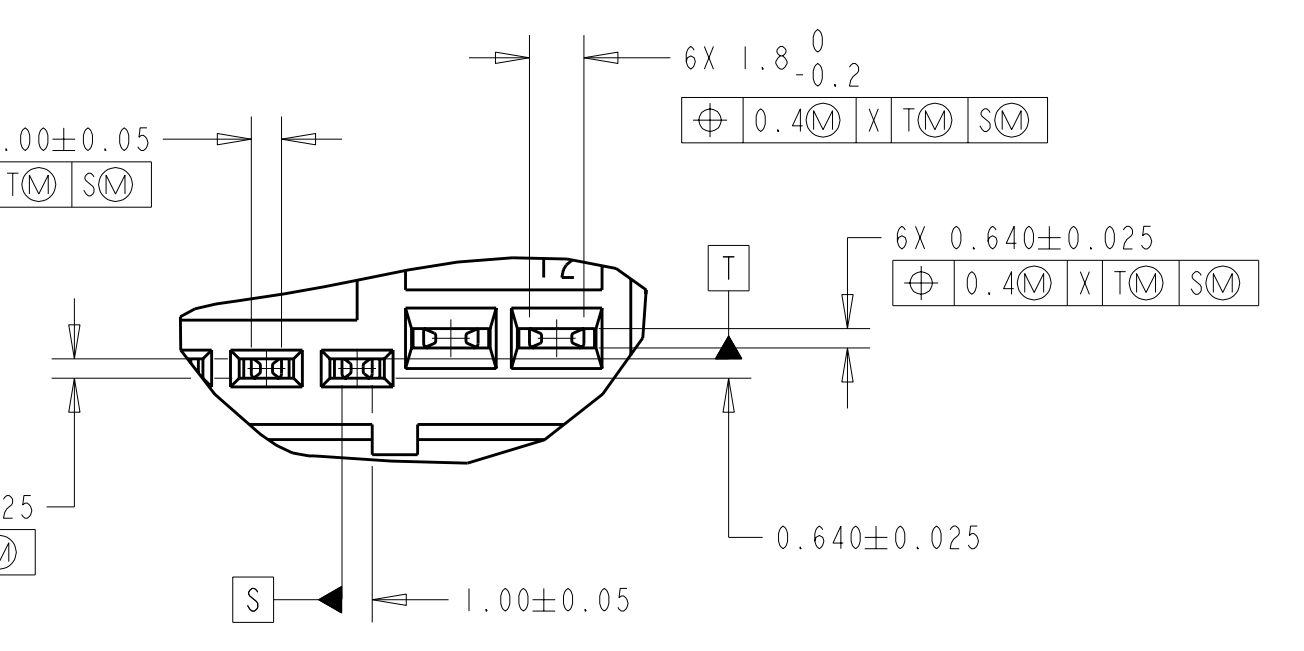
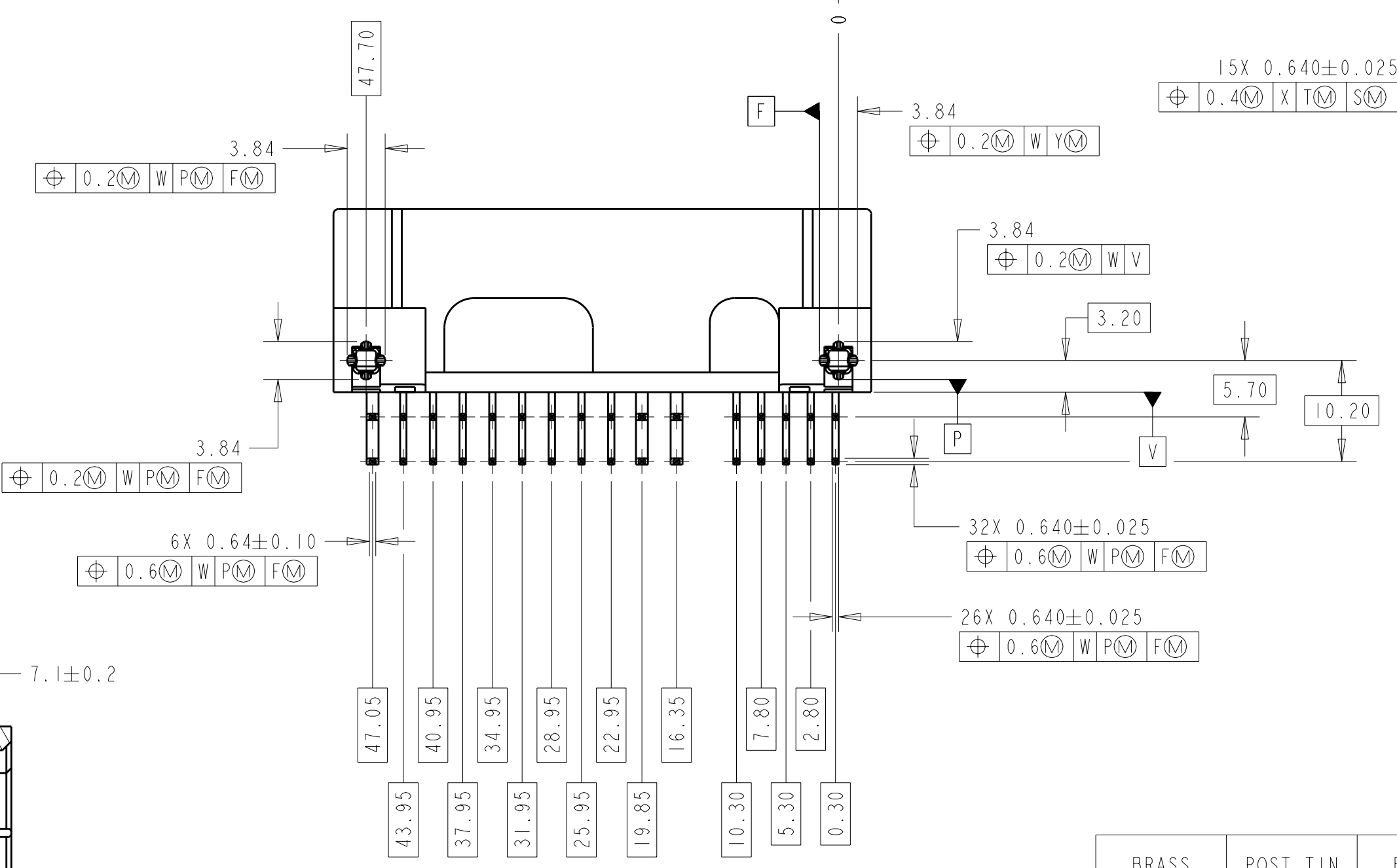
DETAIL D
SCALE 4:1



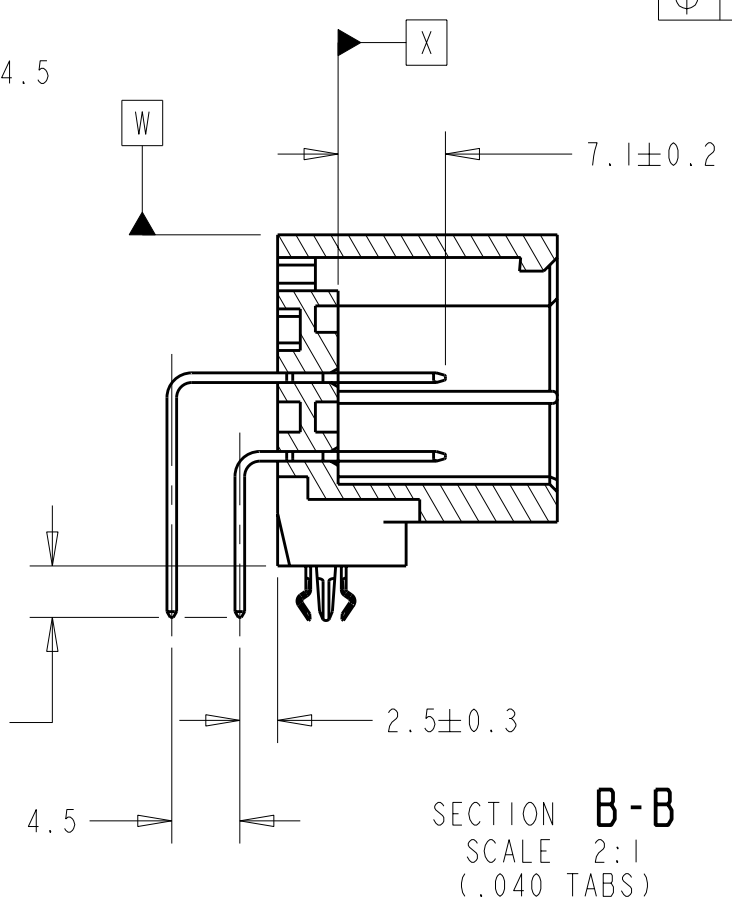
P.C. BOARD LAYOUT
COMPONENT SIDE
(RECOMMENDED BOARD THICKNESS 1.57mm)



SECTION A-A
SCALE 2:1
(.070 TABS)



DETAIL E
SCALE 4:1



SECTION B-B
SCALE 2:1
(.040 TABS)

MATERIAL	FINISH	MATERIAL	FINISH	MATERIAL	COLOR	PART NUMBER
BRASS	POST TIN	BRASS	TIN OVER NICKEL	PBT	BLACK	9-2035312-2
BOARDLOCK		CONTACT		HOUSING		
DIMENSIONS: mm TOLERANCES UNLESS OTHERWISE SPECIFIED: 9 PLC ±0.3 1 PLC ±0.3 5 PLC ±0.15 4 PLC ± ANGLES ±°						
MATERIAL SEE TABLE		FINISH SEE TABLE		WEIGHT		CUSTOMER DRAWING SCALE 2:1 SHEET 1 OF 1 REV A1