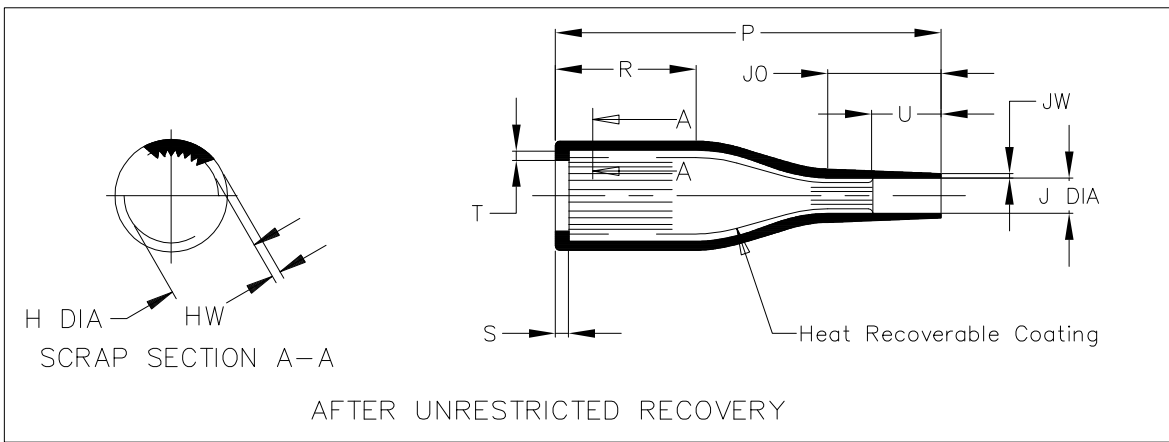
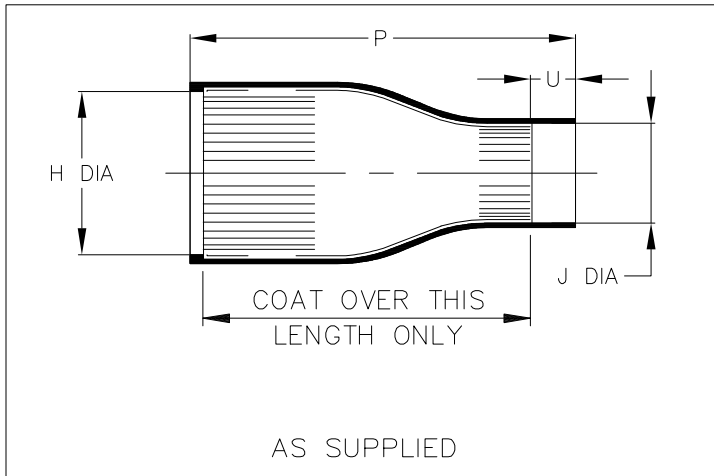


REVISIONS					
P	LTR	DESCRIPTION	DATE	DWN	APVD
1		PRODUCTION ISSUE	24JUN2016	KH	AP



Part No.	H		J		P		R	S	T	U		JO	HW	JW
	Min a	Max b	Min a	Max b	±5% a	±10% b	±10% b	Ref b	Ref b	Min a	±20% b	Ref b	±30% b	±30% b
202S121-100C-0	14 [.55]	10.4 [.41]	10 [.39]	5.0 [.20]	45 [1.77]	45 [1.77]	17 [.67]	3.0 [.12]	1.0 [.04]	6.0 [.24]	10 [.39]	15 [.59]	2.0 [.08]	1.0 [.04]
202S132-100C-0	20 [.79]	14.2 [.56]	12 [.47]	6.0 [.24]	60 [2.36]	60 [2.36]	28 [1.10]	3.0 [.12]	1.0 [.04]	6.0 [.24]	10 [.39]	17 [.67]	2.0 [.08]	1.0 [.04]
202S142-100C-0	26 [1.02]	18.0 [.71]	14 [.55]	7.2 [.28]	72 [2.83]	72 [2.83]	32 [1.26]	3.0 [.12]	1.0 [.04]	6.0 [.24]	10 [.39]	20 [.79]	2.0 [.08]	1.0 [.04]
202S152-100C-0	32 [1.26]	22.4 [.88]	20 [.79]	8.5 [.33]	85 [3.35]	85 [3.35]	31 [1.22]	3.0 [.12]	1.0 [.04]	9.0 [.35]	15 [.59]	25 [.98]	2.0 [.08]	1.0 [.04]
202S163-100C-0	38 [1.50]	28.2 [1.11]	24 [.94]	10.0 [.39]	110 [4.33]	110 [4.33]	50 [1.97]	3.0 [.12]	1.7 [.07]	12.0 [.47]	20 [.79]	30 [1.18]	2.2 [.09]	1.2 [.05]
202S174-100C-0	41 [1.61]	35.1 [1.38]	32 [1.26]	15.8 [.62]	132 [5.20]	135 [5.31]	70 [2.76]	3.0 [.12]	1.7 [.07]	12.0 [.47]	20 [.79]	30 [1.18]	3.0 [.12]	1.5 [.06]

RELEASED FOR PUBLICATION

ALL RIGHTS RESERVED.

COPYRIGHT 2017 BY TE CONNECTIVITY

THIS DRAWING IS UNPUBLISHED.

DIMENSIONS: mm [INCHES]	DWN K. HOTAL	24JUN2016	MATERIAL	-	FINISH	-
	CHK N. NAGAR	24JUN2016				
TOLERANCES UNLESS OTHERWISE SPECIFIED:	APVD A. POOLE	24JUN2016				
0 PLC ± - 1 PLC ± - 2 PLC ± - 3 PLC ± - 4 PLC ± - ANGLES ± -	PRODUCT SPEC -	NAME STRAIGHT BOOT, COATED 202S1XX-100C-0				
	APPLICATION SPEC -	SIZE A4	CAGE CODE 00779	DRAWING NO C-202S1XX-100C-0	RESTRICTED TO -	
	WEIGHT 00	CUSTOMER DRAWING				SCALE DNS
				SHEET 1 OF 2	REV 1	

REVISIONS

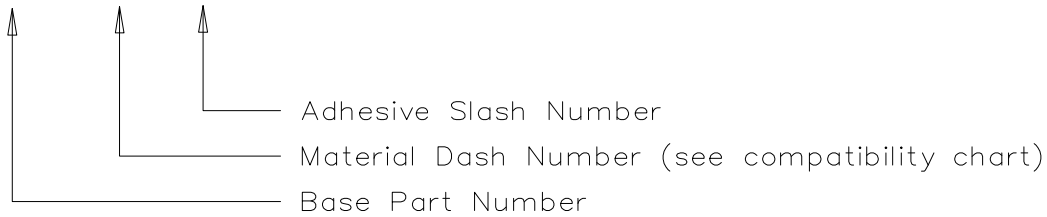
P	LTR	DESCRIPTION	DATE	DWN	APVD
-	-	SEE SHEET 1	-	-	-

COMPATIBILITY CHART

Material Dash No.	Material Description	SPEC No.	Coating Slash No.
-100C	POLYOLEFIN/SILVER COMPOSITE (ZEROHAL™)	RW-3046	/86, /200

ORDERING INFORMATION

202S1**-100C/**-0



NOTES


- As supplied dimensions are for parts without adhesive, when an adhesive layer is added entry diameters will reduce by 1.5mm Max.
- For method of measuring recovered diameter, see appropriate RW specification (SPEC No.) section 2.2.
- ZEROHAL is a trademark of TE Connectivity.

RELEASED FOR PUBLICATION

ALL RIGHTS RESERVED.

© COPYRIGHT 2017 By TE CONNECTIVITY

THIS DRAWING IS UNPUBLISHED.

DIMENSIONS: mm [INCHES]	DWN K. HOLAL	08JUN2016	MATERIAL -	FINISH -		
	CHK N. NAGAR	08JUN2016	 TE Connectivity			
TOLERANCES UNLESS OTHERWISE SPECIFIED:	APVD A. POOLE	08JUN2016			NAME STRAIGHT BOOT, COATED 202S1XX-100C-0	
0 PLC ± -	PRODUCT SPEC	-	SIZE	CAGE CODE	DRAWING NO	RESTRICTED TO
1 PLC ± -	APPLICATION SPEC	-	A4	00779	C-202S1XX-100C-0	-
2 PLC ± -	WEIGHT	00	CUSTOMER DRAWING		SCALE	DNS
3 PLC ± -			SCALE		DNS	SHEET 2 OF 2
4 PLC ± -			SCALE		DNS	REV 1
ANGLES ± -			SCALE		DNS	REV 1

