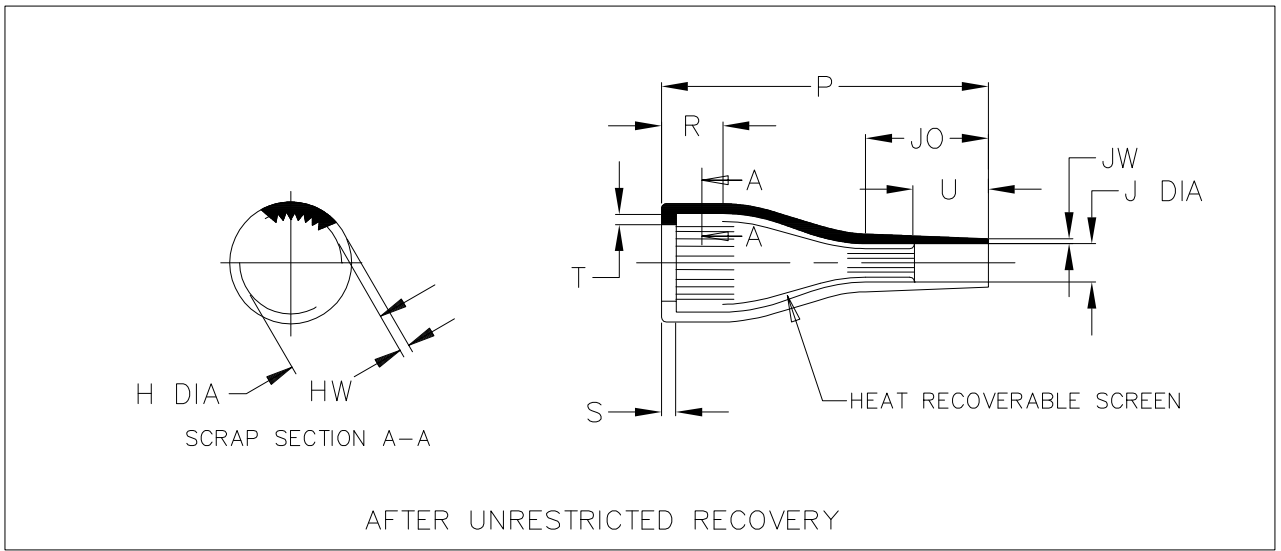
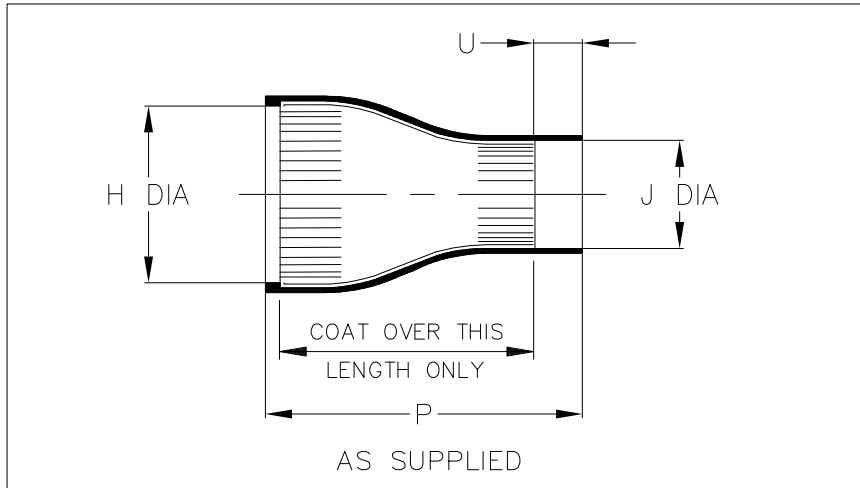


REVISIONS

P	LTR	DESCRIPTION	DATE	DWN	APVD
	1	PRODUCTION ISSUE	04JUL2017	PV	AP



THIS PART HAS A REDUCED Jb DIAMETER
MODIFIED DIMENSIONS ARE SHOWN THUS: - #

Part No.	H		J		P		R	S	T	U		JO	HW	JW
	Min a	Max b	Min a	Max b #	±5% a	±10% b	REF b	REF b	REF b	Min a	20% b	REF b	20% b	20% b #
202S121-XXC-G13-0	20 [.79]	10.4 [.41]	11 [.43]	3.5 [.14]	45 [1.77]	45 [1.77]	17 [.67]	3.0 [.12]	1.0 [.04]	6.0 [.24]	10 [.39]	15 [.59]	2.0 [.08]	1.5 [.06]

RELEASED FOR PUBLICATION

ALL RIGHTS RESERVED.

THIS DRAWING IS UNPUBLISHED.

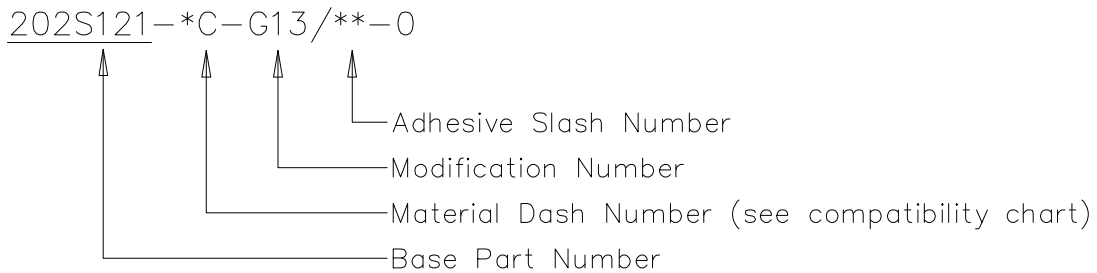
© COPYRIGHT 2017 By TE Connectivity

DIMENSIONS: mm [INCHES]	DWN P. VU	04JUL2017	MATERIAL	-	FINISH	-	
	CHK N. NAGAR	04JUL2017					
TOLERANCES UNLESS OTHERWISE SPECIFIED:	APVD A. POOLE	04JUL2017					
0 PLC ± -	PRODUCT SPEC	-	NAME STRAIGHT BOOT, COATED				
1 PLC ± -	APPLICATION SPEC	-	202S121-XXC-G13-0				
2 PLC ± -	WEIGHT	0	SIZE	A4	CAGE CODE	00779	
3 PLC ± -		CUSTOMER DRAWING	DRAWING NO	G-202S121-XXC-G13-0		RESTRICTED TO	-
4 PLC ± -			SCALE	DNS	SHEET	1 OF 2	REV
ANGLES ± -							

REVISIONS				
P	LTR	DESCRIPTION	DATE	APVD
-	-	SEE SHEET 1	-	-

COMPATIBILITY CHART			
Material Dash No.	Material Description	SPEC No.	Coating Slash No.
-3C	POLYOLEFIN/SILVER COMPOSITE	RW-3045	/86, /200
-25C	ELASTOMER/SILVER COMPOSITE	RW-3047	/86, /200

ORDERING INFORMATION



NOTES


- As supplied dimensions are for parts without adhesive, when an adhesive layer is added entry diameters will reduce by 1.5mm Max.
- For method of measuring recovered diameter, see appropriate RW specification (SPEC No.) section 2.2.

RELEASED FOR PUBLICATION

ALL RIGHTS RESERVED.

THIS DRAWING IS UNPUBLISHED.

© COPYRIGHT 2017 By TE Connectivity

DIMENSIONS: mm [INCHES]	DWN P. VU	04JUL2017	MATERIAL	-	FINISH	-
	CHK N. NAGAR	04JUL2017	 TE Connectivity			
TOLERANCES UNLESS OTHERWISE SPECIFIED:	APVD A. POOLE	04JUL2017				
0 PLC ± -	PRODUCT SPEC	-	NAME STRAIGHT BOOT, COATED			
1 PLC ± -	APPLICATION SPEC	-	202S121-XXC-G13-0			
2 PLC ± -	WEIGHT	0	SIZE	A4	CAGE CODE	00779
3 PLC ± -	CUSTOMER DRAWING		DRAWING NO	G-202S121-XXC-G13-0		RESTRICTED TO
4 PLC ± -	SCALE		DNS	SHEET	2 OF 2	REV 1
ANGLES ± -	