

REVISIONS

P	LTR	DESCRIPTION	DATE	DWN	APVD
	A	INITIAL RELEASE	04DEC2019	TC	NP

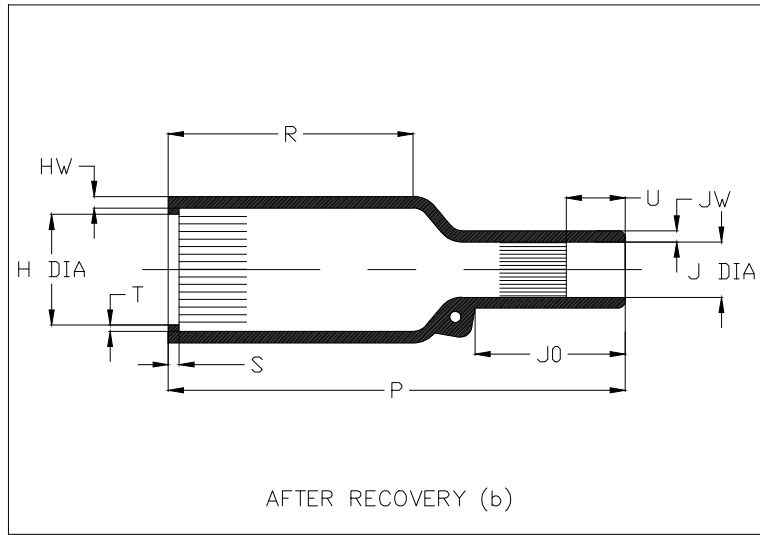
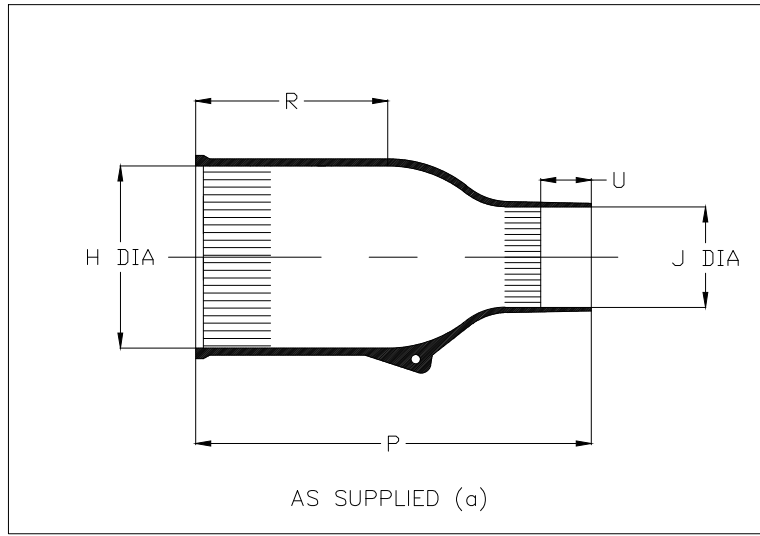


TABLE OF DIMENSIONS


PART No.	H		J		P		R Ref	S Ref b	T Ref b	U		J0 Ref b	HW ±30% b	JW ±30% b
	Min a	Max b	Min a	Max b	±5% a	±10% b				Min a	±20% b			
202K185-25C-0	57 [2.24]	43.6 [1.72]	45 [1.77]	16.5 [.65]	168 [6.61]	170 [6.69]	90 [3.54]	3.0 [.12]	2.0 [0.08]	13.5 [0.53]	20 [0.79]	50 [1.97]	3.2 [0.13]	2.0 [0.08]

RELEASED FOR PUBLICATION

ALL RIGHTS RESERVED.

THIS DRAWING IS UNPUBLISHED.

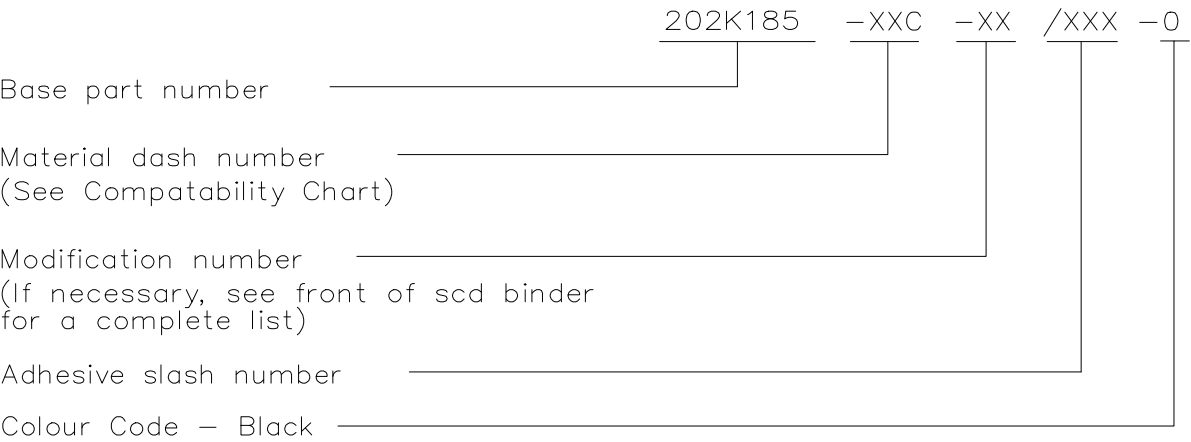
© COPYRIGHT 2019 TE Connectivity Ltd.

DIMENSIONS: mm [INCHES]	DWN	T. CORREIA	04DEC2019	MATERIAL	(25) TYPE H1021	FINISH	-
	CHK	R. MACNAUGHTON	04DEC2019	 TE Connectivity Ltd.			
TOLERANCES UNLESS OTHERWISE SPECIFIED:	APVD	N. PRZYBYLSKA	04DEC2019				
	0 PLC	± -	PRODUCT SPEC	-	NAME	STRAIGHT BOOT, COATED	
1 PLC	± -	APPLICATION SPEC	-	SIZE	A4	CAGE CODE	06090
2 PLC	± -	WEIGHT	0	DRAWING NO	G-202K185-25C-0		RESTRICTED TO
3 PLC	± -						
4 PLC	± -						
ANGLES	± -						
				CUSTOMER DRAWING		SCALE	DNS
						SHEET	1 OF 2
						REV A	

REVISIONS					
P	LTR	DESCRIPTION	DATE	DWN	APVD
	-	SEE SHEET 1	-	-	-

COMPATIBILITY CHART			
Material Dash No.	Material Description	SPEC No.	Coating Slash No.
-25C	ELASTOMER/SILVER COMPOSITE	RW-3047	/86, /200

ORDERING INFORMATION



NOTES


- As supplied dimensions are for parts without adhesive, when an adhesive layer is added entry diameters will reduce by 1.5mm Max.
- Dimensions appearing in table are as follows -
 - a - As supplied
 - b - After unrestricted Recovery

THIS DRAWING IS SUBJECT TO CHANGE WITHOUT NOTICE;
CONSULT YOUR NEAREST FIELD REPRESENTATIVE FOR CURRENT REVISION.

RELEASED FOR PUBLICATION

ALL RIGHTS RESERVED.

© COPYRIGHT 2019 TE Connectivity Ltd.

DIMENSIONS: mm [INCHES]	DWN T. CORREIA 04DEC2019	MATERIAL (25) TYPE 1021	FINISH -		
	CHK R. MACNAUGHTON 04DEC2019	 TE Connectivity Ltd.			
	APVD N. PRZYBYLSKA 04DEC2019				
	PRODUCT SPEC -	NAME STRAIGHT BOOT, COATED 202K185-25C-0			
TOLERANCES UNLESS OTHERWISE SPECIFIED: 0 PLC ± - 1 PLC ± - 2 PLC ± - 3 PLC ± - 4 PLC ± - ANGLES ± -	APPLICATION SPEC -	SIZE A4	CAGE CODE 06090	DRAWING NO C-202K185-25C-0	RESTRICTED TO -
	WEIGHT 0	CUSTOMER DRAWING		SCALE DNS	SHEET 2 of 2