

| REVISIONS | | | | |
|-----------|-----|------------------|-----------|--------|
| P | LTR | DESCRIPTION | DATE | APVD |
| U | | PRODUCTION ISSUE | 18JAN2019 | PNT MT |

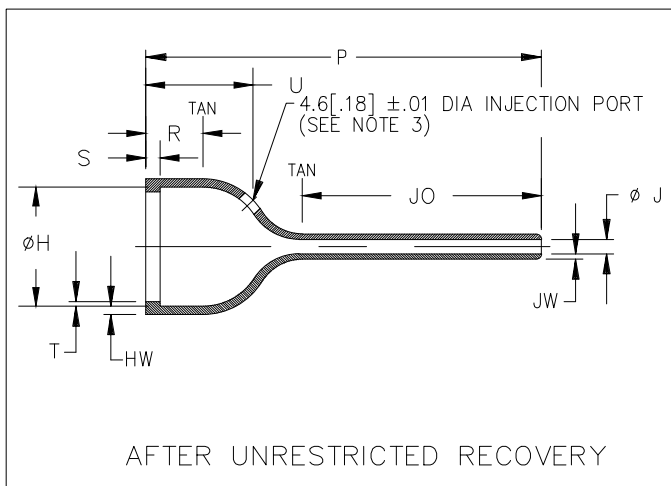
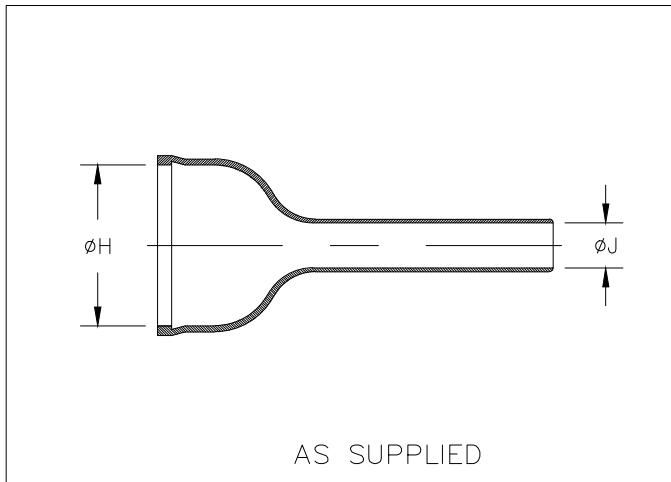


TABLE OF DIMENSIONS

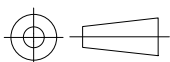
| PART NUMBER | H | | J | | | P | R | S | T | U | JO | HW | JW |
|-------------|----------------|----------------|---------------------------|--------------------------|--------------|----------------|---------------|--------------|----------------|----------------|----------------|--------------|----------------|
| | Min | Max | Min -3,-4, -25 a | Min -12, -100 a | Max | ±10% | Ref | Ref | Ref | ±10% | ±10% | ±20% | ±20% |
| | a | b | a | a | b | b | b | b | b | b | b | b | b |
| 202D921 | 19.3 [.76] | 13.0 [.51] | 6.3 [.25] | 4.5 [.18] | 2.1 [.08] | 60.2 [2.37] | 11.7 [.46] | 3.0 [.12] | 1.0 [.04] | 15.7 [.62] | 37.6 [1.48] | 1.5 [.06] | 1.14 [.045] |
| 202D932 | 26.1 [1.03] | 19.1 [.75] | 7.6 [.30] | 5.5 [.22] | 2.6 [.10] | 74.2 [2.92] | 12.2 [.48] | 3.0 [.12] | 1.0 [.04] | 20.3 [.80] | 45.0 [1.77] | 1.8 [.07] | 1.14 [.045] |
| 202D953 | 34.2 [1.35] | 26.0 [1.02] | 9.6 [.38] | 6.6 [.26] | 3.1 [.12] | 84.3 [3.32] | 12.2 [.48] | 3.0 [.12] | 1.0 [.04] | 20.9 [.90] | 51.1 [2.01] | 1.8 [.07] | 1.14 [.045] |
| 202D963 | 43.6 [1.72] | 34.1 [1.34] | 11.4 [.45] | 7.8 [.31] | 3.6 [.14] | 99.6 [3.92] | 12.2 [.48] | 3.0 [.12] | 1.65 [.065] | 26.2 [1.03] | 57.7 [2.27] | 1.8 [.07] | 1.14 [.045] |

THIS DRAWING IS UNPUBLISHED.

ALL RIGHTS RESERVED.

COPYRIGHT - TE Connectivity Ltd.

| | | | | | | | |
|--|------------------|-----------|----------------------|-------------|--------------------------|---------------|----------------|
| DIMENSIONS: mm [INCHES] | DWN | 18JAN2019 | MATERIAL | SEE SHEET 2 | FINISH | - | |
| | CHK | 18JAN2019 | TE Connectivity Ltd. | | | | |
| TOLERANCES UNLESS OTHERWISE SPECIFIED: | APVD | 18JAN2019 | | | | | |
| 0 PLC ± - | PRODUCT SPEC | - | NAME | | | | BOOT, STRAIGHT |
| 1 PLC ± - | APPLICATION SPEC | - | SIZE | CAGE CODE | DRAWING NO | RESTRICTED TO | |
| 2 PLC ± - | WEIGHT | - | A4 | 00779 | 202D921-XX-0THRU963-XX-0 | - | |
| 3 PLC ± - | CUSTOMER DRAWING | | SCALE | DNS | SHEET | 1 OF 2 | |
| 4 PLC ± - | | | | | | REV U | |
| ANGLES ± - | | | | | | | |



| REVISIONS | | | | | |
|-----------|-----|-------------|------|-----|------|
| P | LTR | DESCRIPTION | DATE | DWN | APVD |
| | - | SEE SHEET 1 | - | - | - |

| COMPATABILITY CHART | | | | |
|---------------------|-----------------------------------|---------|-------------------|-------------------|
| MATERIAL DASH NO. | MATERIAL DESCRIPTION | RT SPEC | COATING SLASH NO. | COATING S NO. |
| -3 | Polyolefin, Semi-rigid | RT-301 | /42;/86;/180 | S1017;S1048;S1030 |
| -4 | Polyolefin, Flexible | RT-1304 | /42;/86;/180 | S1017;S1048;S1030 |
| -12 | Fluoroelastomer, Flexible | RT-1312 | N/A | N/A |
| -25 | Elastomer, Fluid Resistant | RW-2070 | /42;/86;/225 | S1017;S1048;S1206 |
| -100 | Polyolefin, Semi-flexible ZEROHAL | RW-2082 | /86;/180 | S1048,S1030 |

ORDERING INFORMATION

202D9XX -XX -XX /XX -0

Base part number _____

Material dash number _____
(See Compatability Chart)

Modification number _____


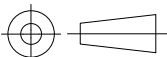
Adhesive slash number _____
(If necessary, see Compatability Chart)

Color Designator _____

NOTES

- Dimensions appearing in table are as follows:
 - a - As Supplied
 - b - After Unrestricted Recovery
- Coating is optional. As supplied dimensions appearing in table are for uncoated parts. When coating is added, entry diameters will be reduced by 1.5mm[.06] max.
- Molding port is optional. When -00 modification number is specified molding port will be located as shown.

THIS DRAWING IS UNPUBLISHED. ALL RIGHTS RESERVED. © COPYRIGHT - TE Connectivity Ltd.

| | | | | | | |
|---|---------------------------------|---|-------------|----------------------------|-----------------|----------|
| DIMENSIONS: mm [INCHES] | DWN PRAVEEN N T 18JAN2019 | MATERIAL - | FINISH - | | | |
| | CHK N NAGAR 18JAN2019 |  TE Connectivity Ltd. | | | | |
| TOLERANCES UNLESS OTHERWISE SPECIFIED: | APVD M TAYLOR 18JAN2019 | | | NAME BOOT, STRAIGHT | | |
| 0 PLC ± - | PRODUCT SPEC | SIZE | CAGE CODE | DRAWING NO | RESTRICTED TO | |
| 1 PLC ± - | - | A4 | 00779 | C-202D921-XX-0THRU963-XX-0 | - | |
| 2 PLC ± - | APPLICATION SPEC | | | | | |
| 3 PLC ± - | - | | | | | |
| 4 PLC ± - | WEIGHT | | | | | |
| ANGLES ± - | | | | | | |
|  | | CUSTOMER DRAWING | | SCALE DNS | SHEET 2 OF 2 | REV U |