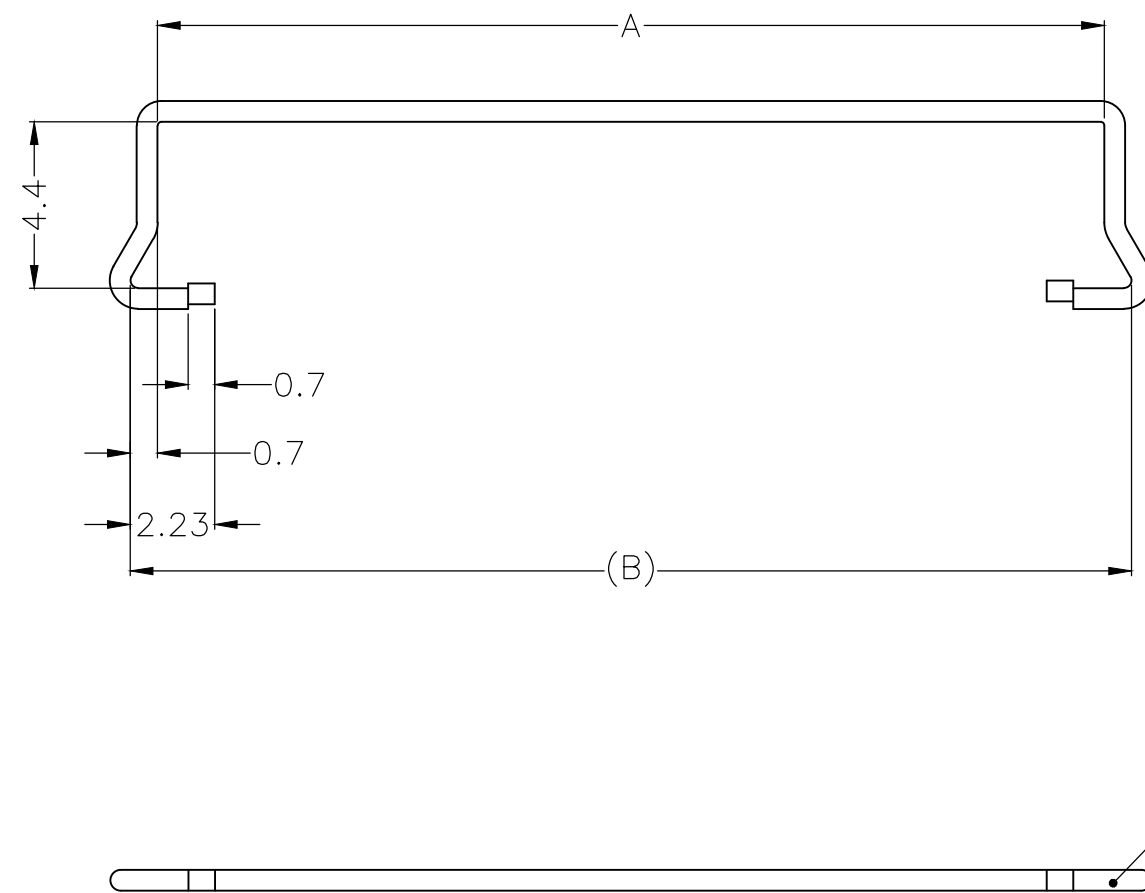


THIS DRAWING IS UNPUBLISHED. RELEASED FOR PUBLICATION
 © COPYRIGHT - TE Connectivity Ltd. ALL RIGHTS RESERVED.

REVISIONS 変更				
P	LTR	DESCRIPTION	DATE	APVD
	B	RELEASED	07JAN2019	K.G W.H

PART NO.	POS NO.	A	B	TOOLING STATUS
2023348-3	40	25.05	26.45	NOT AVAILABLE
2023348-2	30	20.05	21.45	NOT AVAILABLE
2023348-1	20	15.05	16.45	NOT AVAILABLE



①	PULL BAR	STAINLESS STEAL
ITEM	PART NAME	MATERIAL & FINISH Δ

GENERAL TOLERANCE	
6 MAX.	± 0.2
6 OVER MAX. 30	± 0.3
30 OVER MAX. 120	± 0.5
ANGLE	$\pm 2^\circ$

THIS DRAWING IS A CONTROLLED DOCUMENT.		DWN Y.SHINO 18SEP2009	TE Connectivity													
DIMENSIONS: 単位: 耗 mm		CHK S.KAJINUMA 18SEP2009														
TOLERANCES UNLESS OTHERWISE SPECIFIED: 一般公差		APVD S.KAJINUMA 18SEP2009	NAME 名称 LCD COAXIAL EMBEDDED DISPLAY INTERFACE													
<table border="1"> <tr><td>0 RLC</td><td>$\pm -$</td></tr> <tr><td>1 PLC</td><td>$\pm -$</td></tr> <tr><td>2 PLC</td><td>$\pm -$</td></tr> <tr><td>3 PLC</td><td>$\pm -$</td></tr> <tr><td>4 PLC</td><td>$\pm -$</td></tr> <tr><td>ANGLES</td><td>$\pm -$</td></tr> </table>		0 RLC	$\pm -$	1 PLC	$\pm -$	2 PLC	$\pm -$	3 PLC	$\pm -$	4 PLC	$\pm -$	ANGLES	$\pm -$	PRODUCT SPEC 製品規格 108-78659	0.5 PITCH PLUG PULL BAR	
0 RLC	$\pm -$															
1 PLC	$\pm -$															
2 PLC	$\pm -$															
3 PLC	$\pm -$															
4 PLC	$\pm -$															
ANGLES	$\pm -$															
MATERIAL 材料		APPLICATION SPEC 取付適用規格 114-5456	SIZE A3	CAGE CODE 00779												
FINISH 仕上		WEIGHT 0.000000	DRAWING NO 番号 C-2023348	RESTRICTED TO -												
CUSTOMER DRAWING			SCALE 尺度 5:1	SHEET 1 OF 1												