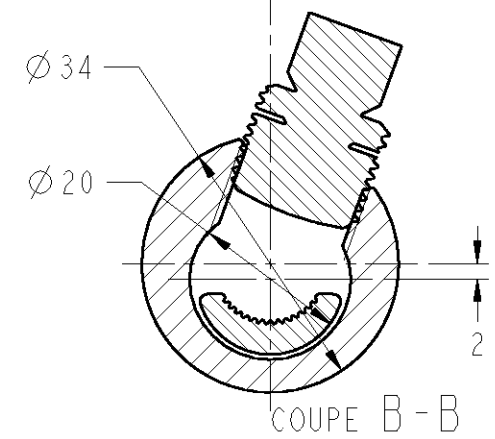
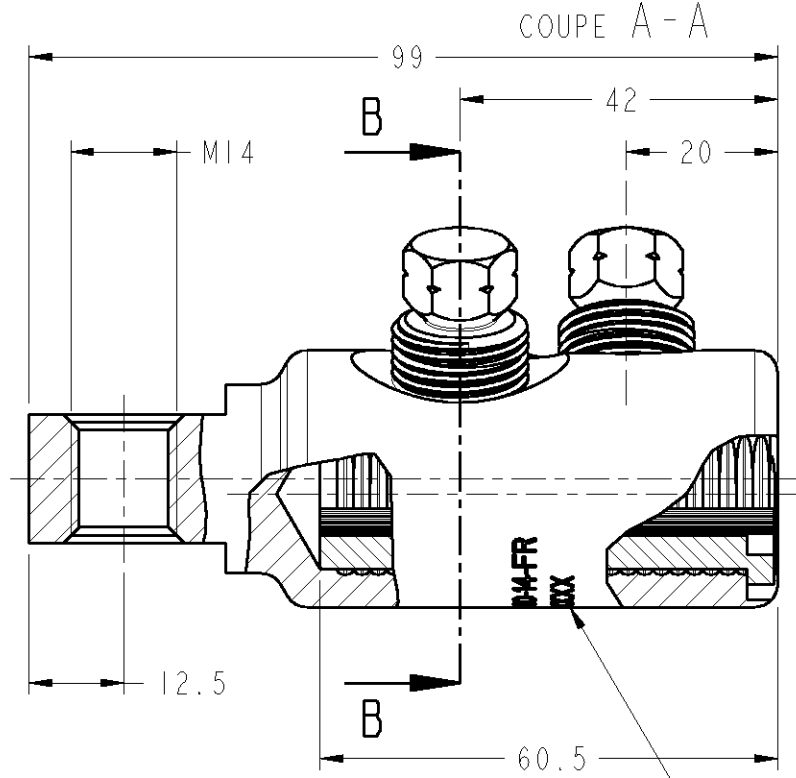
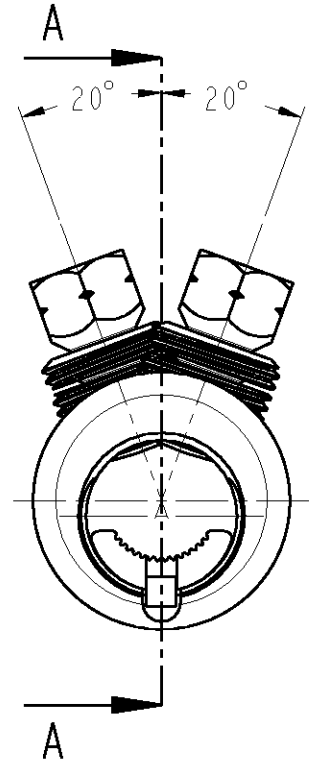


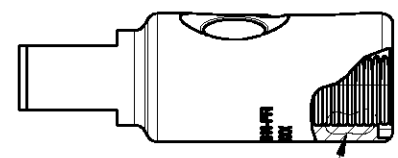
THIS DRAWING IS UNPUBLISHED.
 DIFFUSION RESTREINTE
 © COPYRIGHT 20 BY TYCO ELECTRONICS CORPORATION. ALL RIGHTS RESERVED.
 TOUS DROITS RESERVES

RELEASED FOR PUBLICATION
 LIBRE A LA DIFFUSION
 20

LOC	DIST	REVISIONS				
P	LTR REV	DESCRIPTION MODIFICATIONS	DATE	DWN DESS.	APVD APP.	
FH	00	A	19JUN2007	BP	AG	
		B	18JUN2008	BM	AG	

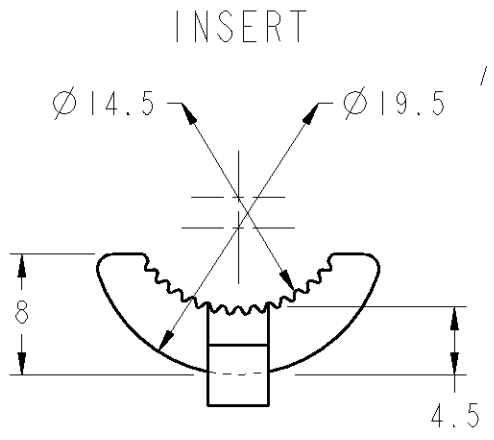


BODY / CORPS



SEE/VOIR DETAIL A

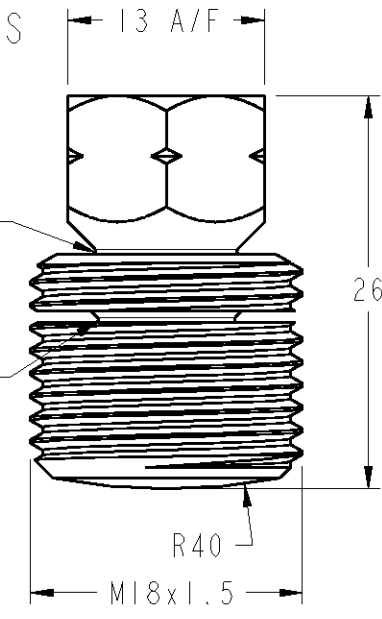
COUPE A-A
 SCALE/ECHELLE 1:2



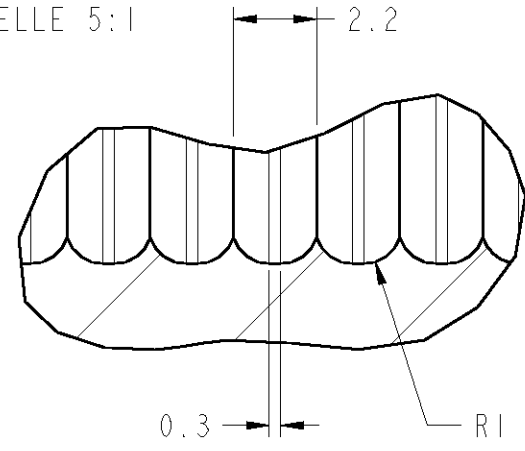
SCALE /ECHELLE 2:1

2nd SHEAR POINT
 SET TO : 33 -2/+7Nm
 2ème POINT DE RUPTURE
 AJUSTE A : ...
 1st SHEAR POINT
 SET TO : 33±2Nm
 1er POINT DE RUPTURE
 AJUSTE A : ...

BOLT / VIS



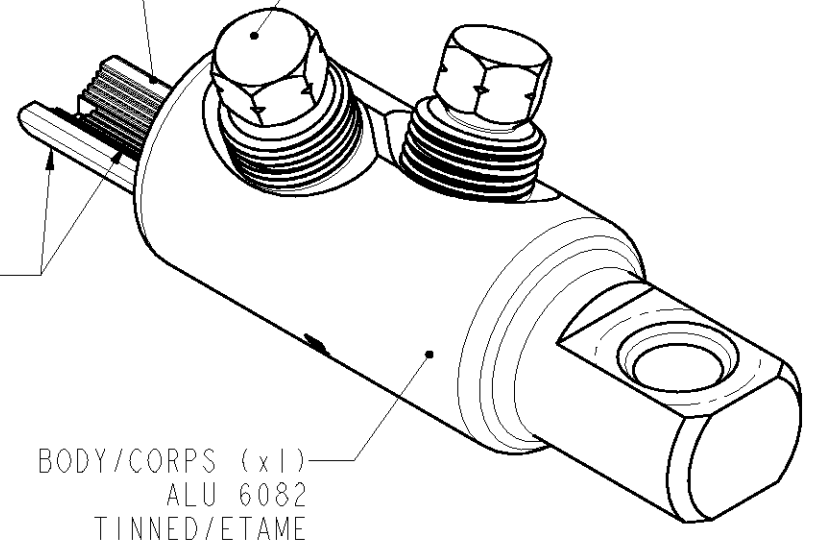
DETAIL A - SCALE/ECHELLE 5:1



MARKING/MARQUAGE :
 BLMC-95/240-14-FR
 'LOGO' '#LOT'

INSERT (x1)
 ALU 6XXX
 TINNED/ETAME
 BOLTS/VIS (x2)
 ALU 2007
 LUBRICATED/LUBRIFIE

GREASE /GRAISSE



BODY/CORPS (x1)
 ALU 6082
 TINNED/ETAME

BLMC-95/240-14-FR	2019102-1
DESCRIPTION	PART NUMBER

TOLERANCES UNLESS OTHERWISE SPECIFIED: -
 TOLERANCES NON SPECIFIEES: -

THIS DRAWING IS A CONTROLLED DOCUMENT FOR TYCO ELECTRONICS CORPORATION IT IS SUBJECT TO CHANGE AND THE CONTROLLING ENGINEERING ORGANIZATION SHOULD BE CONTACTED FOR THE LATEST REVISION. CE PLAN EST UN DOCUMENT CONTROLE PAR TYCO ELECTRONICS CORPORATION IL EST SUSCEPTIBLE D'ETRE REVISE, POUR OBTENIR LA DERNIERE REVISION. CONTACTER LE SERVICE TECHNIQUE DE TYCO ELECTRONICS SIMEL SAS, 21220 BEVRET-CHAMBERTIN, FRANCE.		DWN/DESSINE 19JUN2007 B. PELTIER CHK/VERIFIE - R. BUTHIOT APVD/APPROUVE - A. GUILCHARD		SIMEL PRODUCTS	
DIMENSIONS: mm		TOLERANCES UNLESS OTHERWISE SPECIFIED: TOLERANCES NON SPECIFIEES: 0 PLC/DEC: ±0 1 PLC/DEC: ±0 2 PLC/DEC: ±0 3 PLC/DEC: ±0 4 PLC/DEC: ±0 ANGLES ±-		NAME TITRE BLMC-95/240-14-FR	
MATERIAL MATIERE -		FINISH FINITION -		PRODUCT SPEC SPEC. PRODUIT - APPLICATION SPEC SPEC. APPLICATION - WEIGHT MASSE APPROX. 160 g	
RESTRICTED CUSTOMER/PLAN CLIENT		UNIQUEMENT POUR REFERENCE		RESTRICTED TO RESERVE A EDF	
SIZE FORMAT A3		CAGE CODE -		DRAWING NO No PLAN C-2019102	
SHEET FEUILLE		OF DE		REV B	