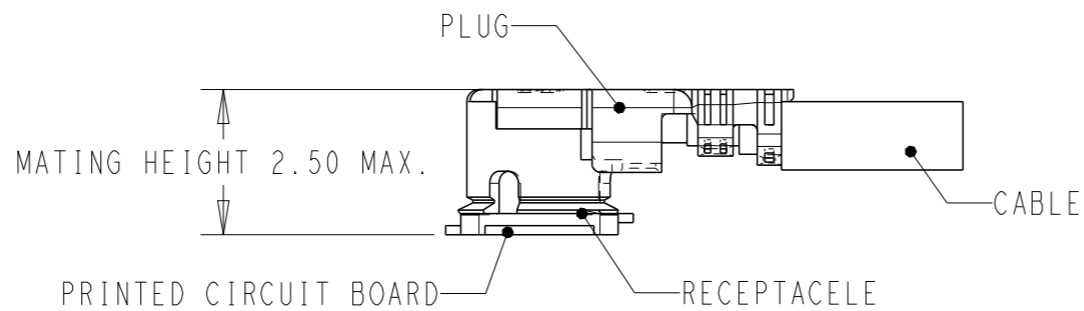
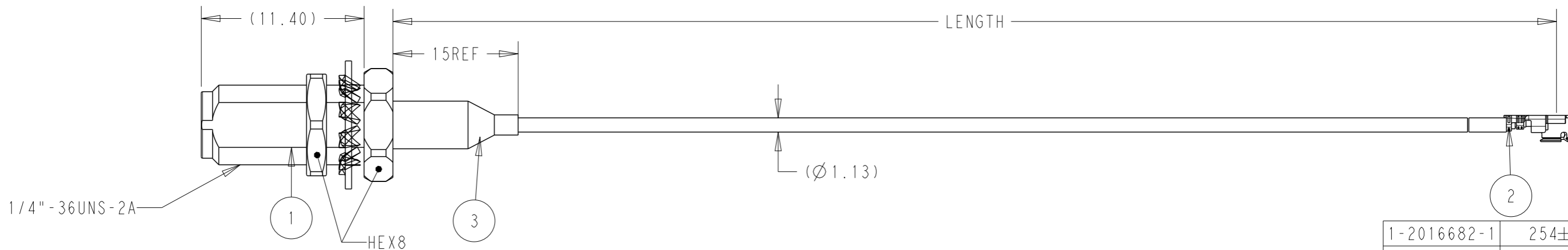


RECOMMEND PANEL HOLE



P	LTR	DESCRIPTION	DATE	DWN	APVD
	A	INITIAL CREATED	09MAR2020	CL	RS
	A1	ECR-15-001339	18MAY2020	CL	SZ
	A2	ECR-22-136185	18APR2022	JZ	WKH



1-2016682-1	254±3
1-2016682-0	1000±10
2016682-9	750±5
2016682-8	500±5
2016682-7	350±5
2016682-6	300±3
2016682-5	250±3
2016682-4	200±3
2016682-3	150±3
2016682-2	100±3
2016682-1	50±3
PART NUMBER	LENGTH

- NOTES:
- MATERIAL AND PROCESSING MUST MEET REQUIREMENTS OF TEC-138-702
  - SMA BULKHEAD NEED ASSEMBLY NUT AND WASHER
  - PRODUCT RATING:  
 TEMPERATURE: -45°C TO +85°C  
 VOLTAGE: 30V (RMS)  
 CHARACTERISTIC IMPEDANCE: 50 OHMS Normal  
 FREQUENCY RANGE: DC TO 9GHz  
 BEND RADIUS: 5MM MIN
  - CABLE ASSEMBLY TO BE 100% OPEN AND SHORT TESTED
  - SMA INTERFACE FOLLOW IEC 60169-15  
 UMCC GEN1 CAN MATE WITH I-PEX MHF SERIES AND HIROSE U.FL SERIES

PC	Q'TY	UNIT	DESCRIPTION	ITEM
PC	1		HEAT SHRINK TUBE	3
PC	0.5		RF CA,UMCC GEN1 BOTH END, WITH 1.13CABLE	2
PC	1		SMA BULKHEAD, FOR 1.13 CABLE	1

THIS DRAWING IS A CONTROLLED DOCUMENT.		DWN 25MAR2019 Cedar Liu														
DIMENSIONS: mm		CHK 26MAR2019 Cedar Liu														
TOLERANCES UNLESS OTHERWISE SPECIFIED:		APVD 09MAR2020 Roger Song	NAME RF CA,SMA BK TO UMCC GEN1													
<table border="1"> <tr><td>0 PLC</td><td>±-</td></tr> <tr><td>1 PLC</td><td>±0.5</td></tr> <tr><td>2 PLC</td><td>±0.13</td></tr> <tr><td>3 PLC</td><td>±0.013</td></tr> <tr><td>4 PLC</td><td>±0.0001</td></tr> <tr><td>ANGLES</td><td>±-</td></tr> </table>		0 PLC	±-	1 PLC	±0.5	2 PLC	±0.13	3 PLC	±0.013	4 PLC	±0.0001	ANGLES	±-	PRODUCT SPEC -	SIZE 1.13	
0 PLC	±-															
1 PLC	±0.5															
2 PLC	±0.13															
3 PLC	±0.013															
4 PLC	±0.0001															
ANGLES	±-															
MATERIAL -		APPLICATION SPEC -	WEIGHT -	RESTRICTED TO -												
FINISH -		RESTRICTED CUSTOMER		SCALE 1:1												
		CAGE CODE 00779		DRAWING NO C-2016682												
		SHEET 1 OF 1		REV A2												