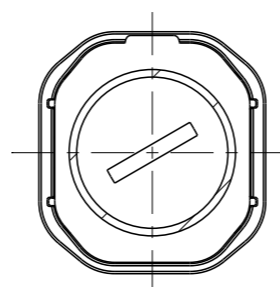
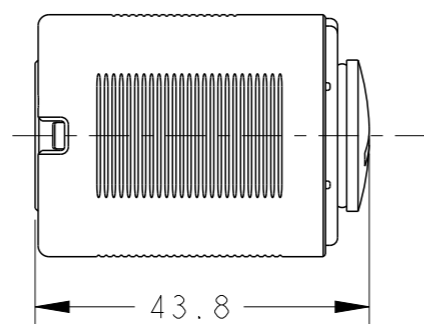
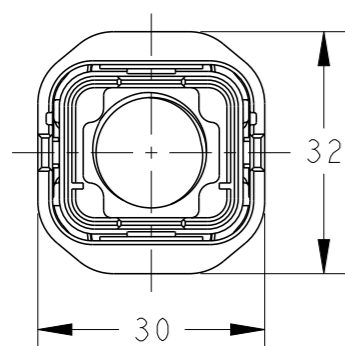
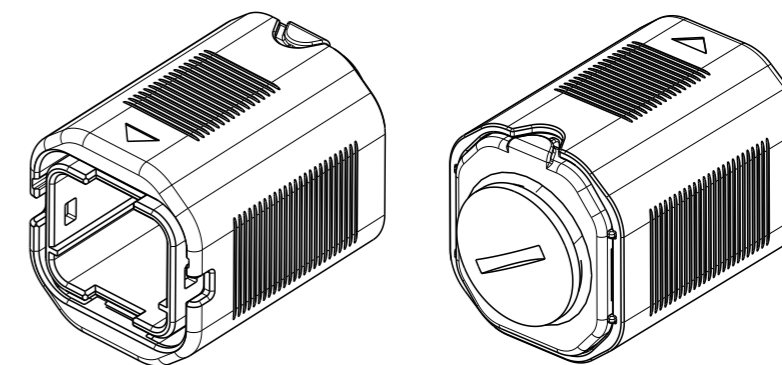
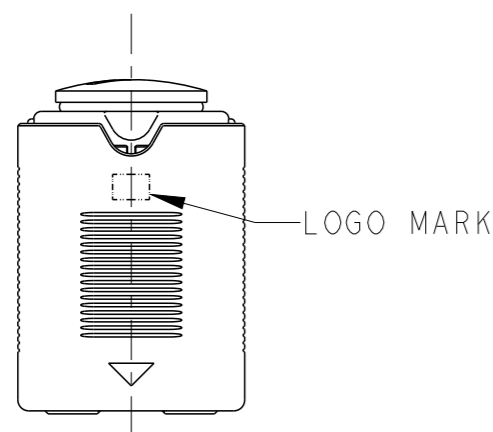


P	LTR	DESCRIPTION	DATE	DWN	APVD
	A	RELEASED	12APR2019	H.O	E.I

- 1 : AS SHOWN



1. MATERIAL:
CASE: ZINC
SCREW: BRASS
RUBBER: NITRILE-BUTADIENE RUBBER
COLOR: BLACK
SPRING: STAINLESS STEEL

2. FINISH:
CASE: NICKEL OVER COPPER PLATING
SCREW: NICKEL

3. THE SHAPE, SIZE AND POSITION OF THE CHARACTER SHOW THE OUTLINE. THEY DON'T SHOW DETAILS.

THIS DRAWING IS A CONTROLLED DOCUMENT.		DWN H. OSABE 12APR2019														
DIMENSIONS: mm		CHK T. SHIMOYASU 12APR2019														
TOLERANCES UNLESS OTHERWISE SPECIFIED: ± 0.3, ± 3°		APVD E. IKEMATSU 12APR2019	NAME MULTI ENCLOSURE CONN (M) R-TYPE DUMMY PLUG ASSY													
<table border="1"> <tr> <td>0 PLC</td> <td>±</td> </tr> <tr> <td>1 PLC</td> <td>±</td> </tr> <tr> <td>2 PLC</td> <td>±</td> </tr> <tr> <td>3 PLC</td> <td>±</td> </tr> <tr> <td>4 PLC</td> <td>±</td> </tr> <tr> <td>ANGLES</td> <td>±</td> </tr> </table>		0 PLC	±	1 PLC	±	2 PLC	±	3 PLC	±	4 PLC	±	ANGLES	±	PRODUCT SPEC -	RESTRICTED TO	
0 PLC	±															
1 PLC	±															
2 PLC	±															
3 PLC	±															
4 PLC	±															
ANGLES	±															
MATERIAL		APPLICATION SPEC -	SIZE A300779	CAGE CODE C-2013874												
FINISH		WEIGHT 95.0g	DRAWING NO													
		CUSTOMER DRAWING		SCALE 1:1												
		SHEET 1 OF 1		REV A												