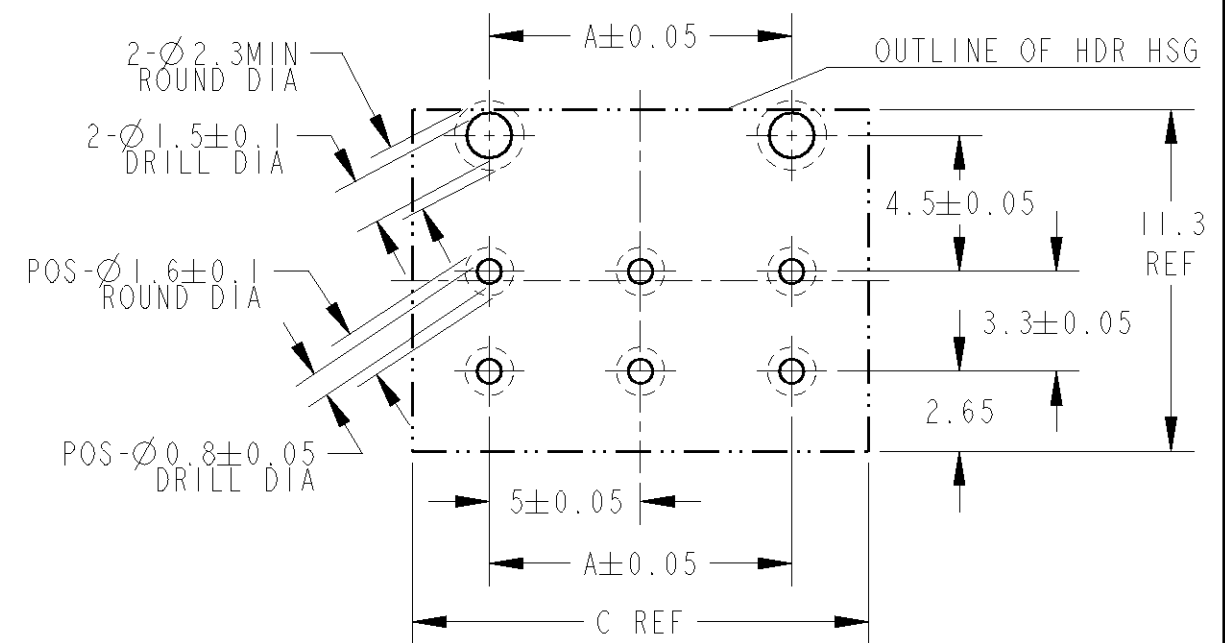
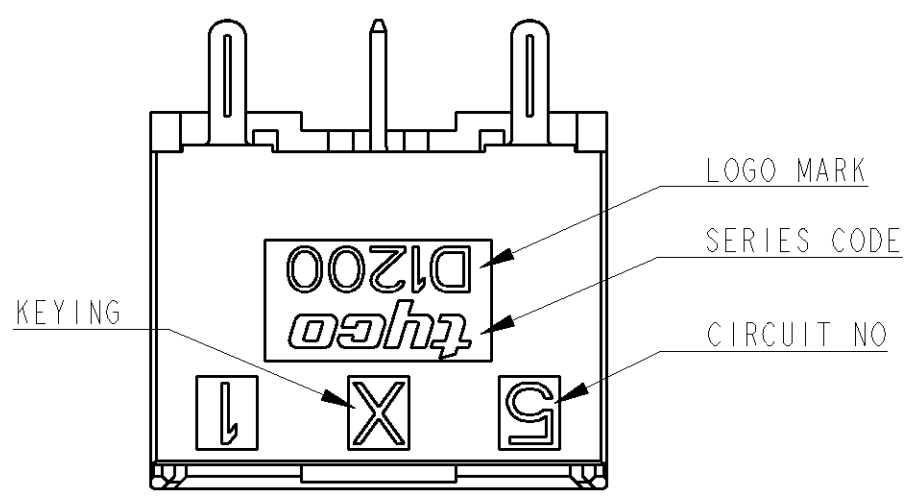


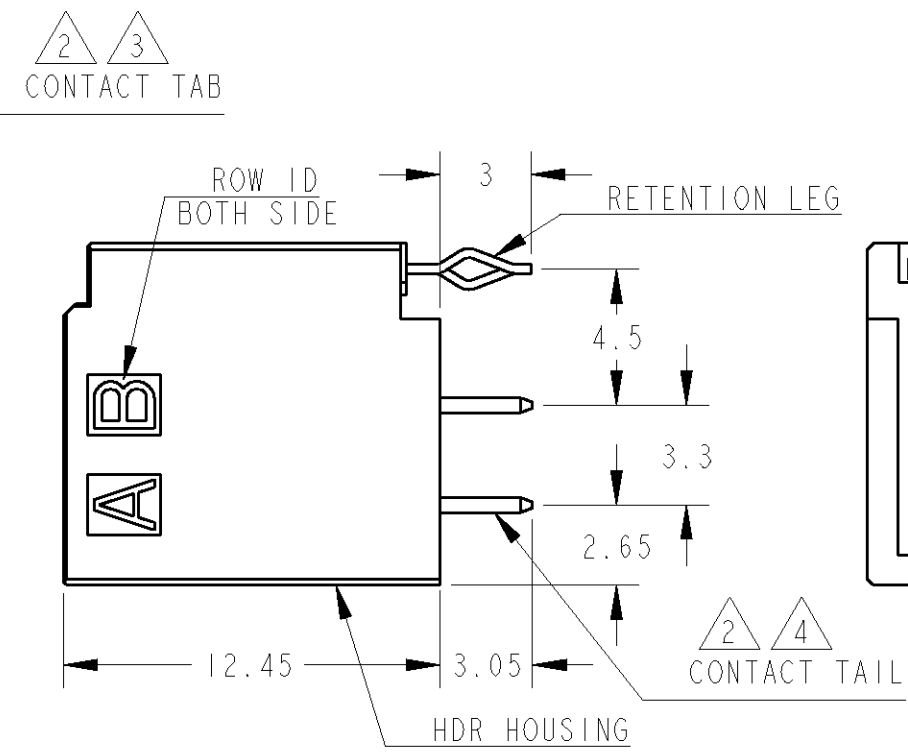
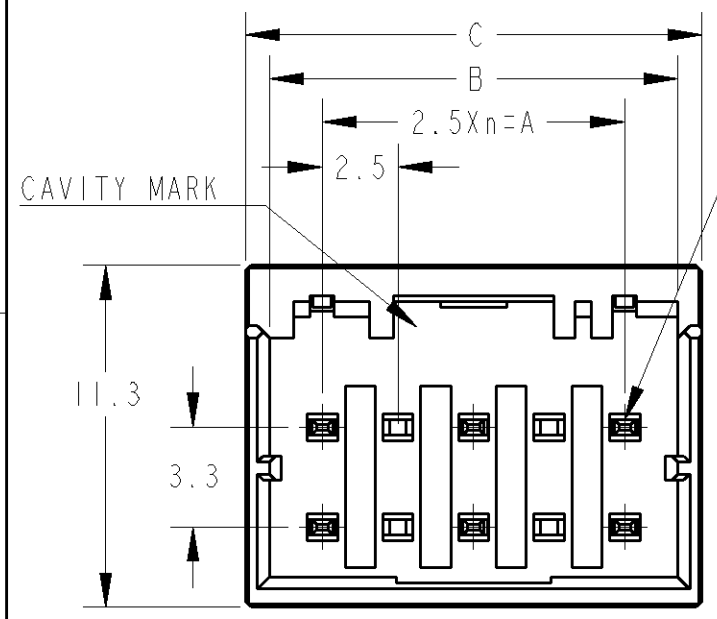
THIS DRAWING IS UNPUBLISHED. RELEASED FOR PUBLICATION 20  
 © COPYRIGHT 20 BY TYCO ELECTRONICS CORPORATION. ALL RIGHTS RESERVED.

| LOC | DIST | REVISIONS |     |             |           |     |      |
|-----|------|-----------|-----|-------------|-----------|-----|------|
|     |      | P         | LTR | DESCRIPTION | DATE      | DWN | APVD |
| J   | -    |           | A   | RELEASED    | 220CT2007 | M.M | D.M  |

- ①. 材料：ハウジング：ガラス入り熱可塑性ポリエステル樹脂（94V-0）  
 コンタクト：銅合金  
 リテンションレグ：錫めっき銅合金
- ②. めっき（全面）：ニッケル下地めっき1.27μm以上
- ③. めっき（接触部）：②の上に金めっき0.38μm以上
- ④. めっき（コンタクト半田付部）：②の上に錫めっき2μm以上
- ⑤. 文字の形状、大きさ、および位置については、大略を示すものであり、詳細を示すものではありません。



RECOMMEND PC BOARD HOLE PATTERN : CONNECTOR MOUNT SIDE  
 (NOT ACCUMULATE TOLERANCE)  
 PC BOARD THICKNESS : 1.0~1.6 $\pm$ 0.1  
 推奨基板取付寸法：コネクタ搭載面（非累積公差）  
 PC基板厚：1.0~1.6 $\pm$ 0.1



|                     |   |   |   |   |   |
|---------------------|---|---|---|---|---|
| 2013651-1 (6/10POS) |   |   |   |   |   |
|                     | 1 | 2 | 3 | 4 | 5 |
| B                   | ○ | - | ○ | - | ○ |
| A                   | ○ | - | ○ | - | ○ |

AS SHOWN : 2013651-1

|      |     |   |      |      |      |               |        |       |           |
|------|-----|---|------|------|------|---------------|--------|-------|-----------|
| 6/10 | X   | 4 | 10.0 | 13.5 | 15.1 | V-HDR 6/10POS | 0.38Au | BLACK | 2013651-1 |
| POS  | KEY | n | A    | B    | C    | DESCRIPTION   | FINISH | COLOR | PART NO   |

- ①. MATERIAL: HOUSING: GLASS FILLED THERMO PLASTIC POLYESTER(94V-0)  
 CONTACT: COPPER ALLOY  
 RETENTION LEG: PRE-TIN COPPER ALLOY
- ②. FINISH(ALL OVER): NICKEL PLATING 1.27μmMIN
- ③. FINISH(CONTACT AREA): GOLD PLATING 0.38μmMIN AFTER ②
- ④. FINISH(CONTACT TAIL): TIN PLATING 2μmMIN AFTER ②
- ⑤. THE SHAPE, SIZE AND POSITION OF THE CHARACTER SHOW THE OUTLINE. THEY DON'T SHOW DETAILS.

|  |   |   |  |
|--|---|---|--|
| THIS DRAWING IS A CONTROLLED DOCUMENT FOR TYCO ELECTRONICS CORPORATION<br>IT IS SUBJECT TO CHANGE AND THE CONTROLLING ENGINEERING ORGANIZATION<br>SHOULD BE CONTACTED FOR THE LATEST REVISION. |   | DWN 220CT2007<br>M. MAEBASHI<br>CHK 220CT2007<br>D. MITSUGI<br>APVD 220CT2007<br>D. MITSUGI | Tyco Electronics AMP K.K.<br>Kawasaki, Japan                     |
| DIMENSIONS:<br>単位: 耗<br>mm   | TOLERANCES UNLESS OTHERWISE SPECIFIED:<br>一般公差 ±0.3, ±5°<br>0-PLC ±<br>1-PLC ±0.5<br>2-PLC ±0.13<br>3-PLC ±0.013<br>4-PLC ±0.0001<br>ANGLES ± | PRODUCT SPEC<br>製品規格<br>108-78268<br>APPLICATION SPEC<br>取付適用規格<br>114-5377                 | NAME 名称<br>DYNAMIC DI200D 2.5mmPITCH<br>HDR ASSY (SKIP PIN TYPE) |
| MATERIAL 材料  | FINISH 仕上   | WEIGHT  | RESTRICTED TO  |
| CUSTOMER DRAWING   |   | SCALE 尺度 4:1  | SHEET 1 OF 1 REV A   |