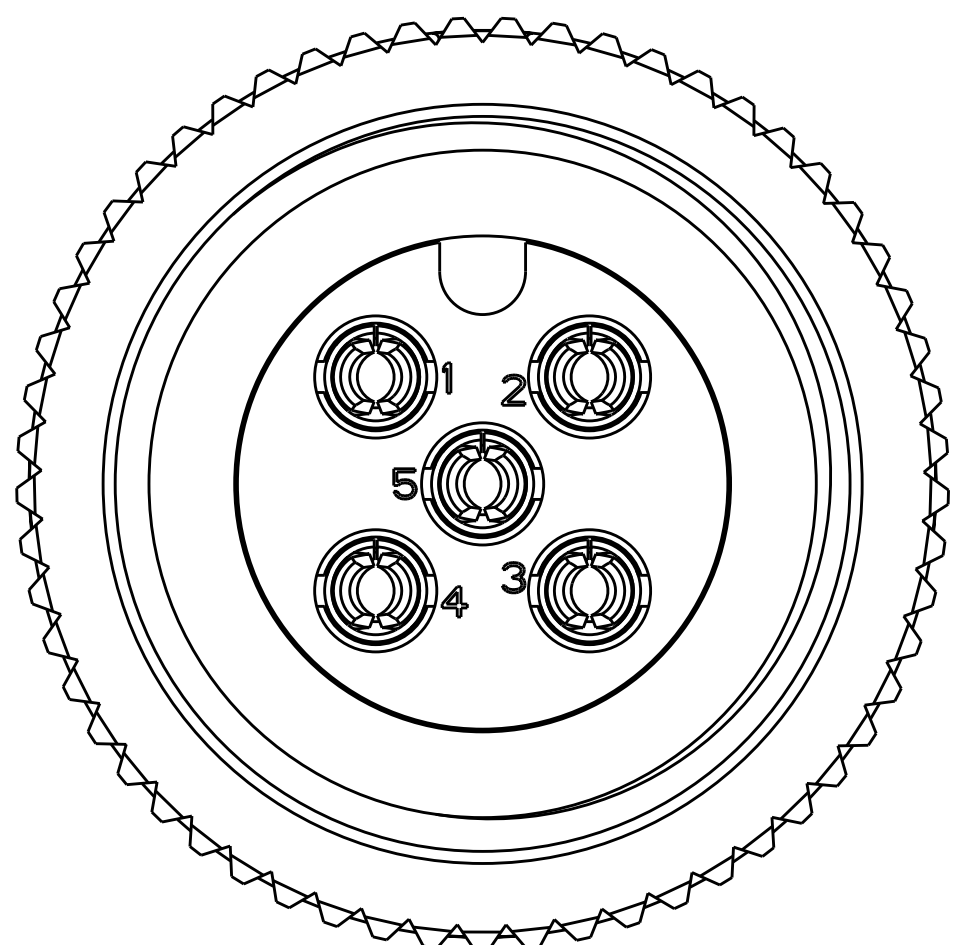
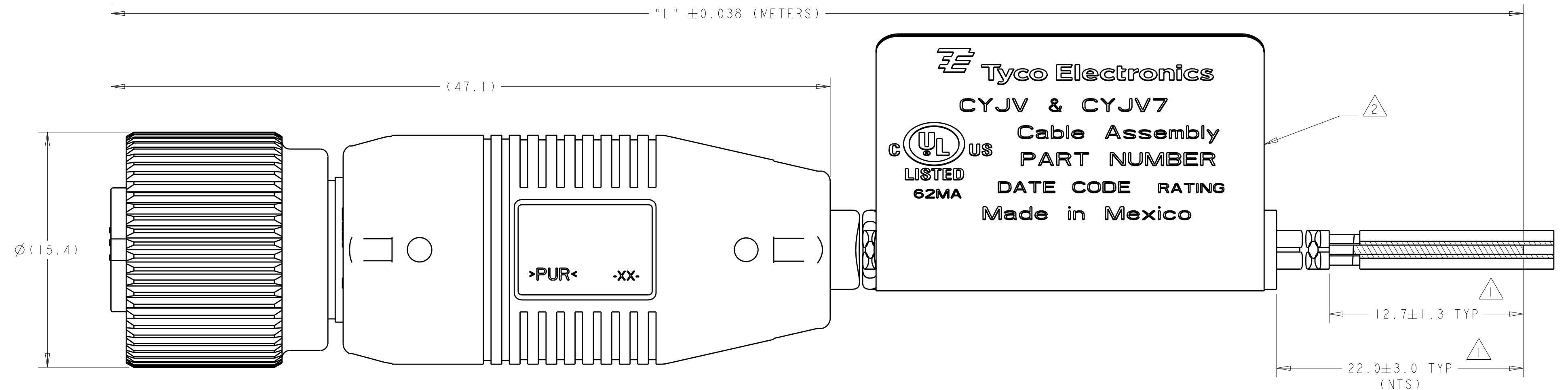


LOC	DIST	REV	DATE	BY	APPD
		A	14JAN2011	HMR	KD



FRONT VIEW
 (LABEL REMOVED FROM THIS VIEW)
 SCALE 8:1

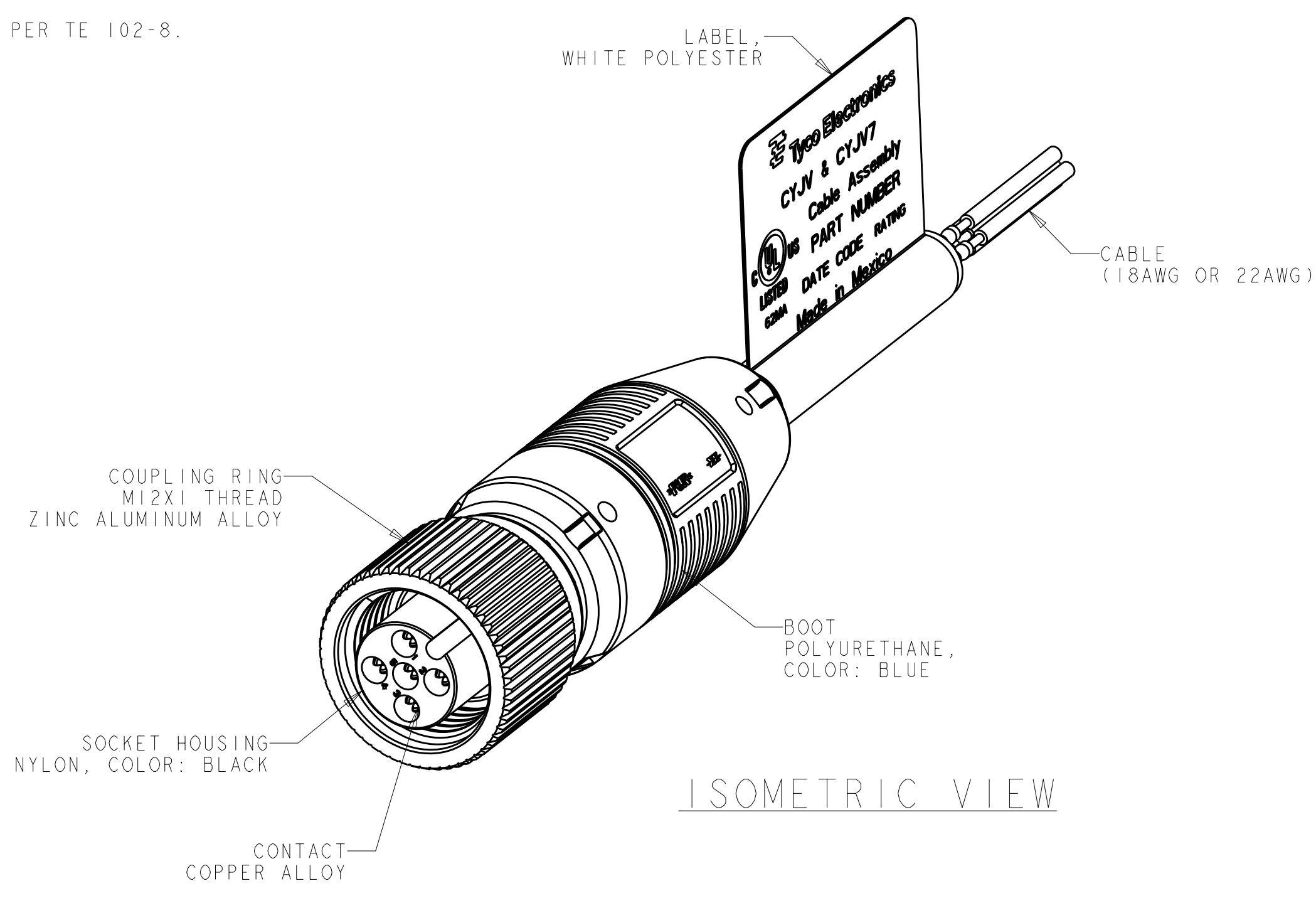


LEFT SIDE VIEW

NO OF POSITIONS	PIN NUMBER				
	1	2	3	4	5
	WIRE COLOR				
2	BROWN	-	BLUE	-	-
3	BROWN	-	BLUE	BLACK	-
4	BROWN	WHITE	BLUE	BLACK	-
5	BROWN	WHITE	BLUE	BLACK	GRAY

- 1. STRIP AND RETAIN INSULATION.
- 2. LABEL INFORMATION TO INCLUDE TE PART NUMBER, DATE CODE, AND RATING.
- 3. DASH NUMBERS 1 THRU 40 CABLE CONSTRUCTION IS AS FOLLOWS: 5 CONDUCTOR, 22AWG PER AWM 2517, 105°C, 300V WITH BLACK PVC OUTER JACKET, UL & CSA APPROVED.
- 4. DASH NUMBERS 41 THRU 80 CABLE CONSTRUCTION IS AS FOLLOWS: 5 CONDUCTOR, 18AWG PER AWM 2517, 105°C, 300V WITH BLACK PVC OUTER JACKET, UL & CSA APPROVED.
- 5. CABLE DIAMETER RANGE FOR 2-5 POSITIONS FROM 5.2mm TO 7.2mm AND FOR 6-8 POSITIONS FROM 5.7mm TO 7.2mm.
- 6. PRODUCT LISTED UNDER UL 2238 & IEC 61076-2.
- 7. CABLE ASSEMBLIES TO BE PACKAGED IN POLYBAGS.
- 8. THE PRODUCT HAS NOT COMPLETED VALIDATION TESTING AS PER TE 102-8.

WIRE GAGE	"L" (METERS)	NUMBER OF POSITIONS	PART NUMBER
22 AWG	5.0	5	4-2008998-0
22 AWG	5.0	4	3-2008998-9
22 AWG	5.0	3	3-2008998-8
22 AWG	5.0	2	3-2008998-7
22 AWG	4.5	5	3-2008998-6
22 AWG	4.5	4	3-2008998-5
22 AWG	4.5	3	3-2008998-4
22 AWG	4.5	2	3-2008998-3
22 AWG	4.0	5	3-2008998-2
22 AWG	4.0	4	3-2008998-1
22 AWG	4.0	3	3-2008998-0
22 AWG	4.0	2	2-2008998-9
22 AWG	3.5	5	2-2008998-8
22 AWG	3.5	4	2-2008998-7
22 AWG	3.5	3	2-2008998-6
22 AWG	3.5	2	2-2008998-5
22 AWG	3.0	5	2-2008998-4
22 AWG	3.0	4	2-2008998-3
22 AWG	3.0	3	2-2008998-2
22 AWG	3.0	2	2-2008998-1
22 AWG	2.5	5	2-2008998-0
22 AWG	2.5	4	1-2008998-9
22 AWG	2.5	3	1-2008998-8
22 AWG	2.5	2	1-2008998-7
22 AWG	2.0	5	1-2008998-6
22 AWG	2.0	4	1-2008998-5
22 AWG	2.0	3	1-2008998-4
22 AWG	2.0	2	1-2008998-3
22 AWG	1.5	5	1-2008998-2
22 AWG	1.5	4	1-2008998-1
22 AWG	1.5	3	1-2008998-0
22 AWG	1.5	2	2008998-9
22 AWG	1.0	5	2008998-8
22 AWG	1.0	4	2008998-7
22 AWG	1.0	3	2008998-6
22 AWG	1.0	2	2008998-5
22 AWG	0.5	5	2008998-4
22 AWG	0.5	4	2008998-3
22 AWG	0.5	3	2008998-2
22 AWG	0.5	2	2008998-1



ISOMETRIC VIEW

SCALE 3:1

DIMENSIONS: mm		TOLERANCES UNLESS OTHERWISE SPECIFIED:		DWN: THOMPSON 05MAY2009		Tyco Electronics Harrisburg, PA 17105-3608	
9 PLC	±	0	±	CHK: B. WALKER 05MAY2009	NAME: SOCKET CONNECTOR CABLE ASSEMBLY		
1 PLC	±	1	±	APPD: B. WALKER 05MAY2009	A-CODING, 2-5 POSITION, 1.0mm, PVC JACKET, SENSORLOK, M12		
3 PLC	±	2	±	PRODUCT SPEC	SIZE: CAGE CODE DRAWING NO. RESTRICTED TO		
5 PLC	±	3	±	APPLICATION SPEC	A100779C=2008998		
4 PLC	±	4	±	WEIGHT	SCALE 1:1 SHEET 1 OF 1 REV A		
ANGLES	±	5	±	CUSTOMER DRAWING			
FINISH	±	6	±				