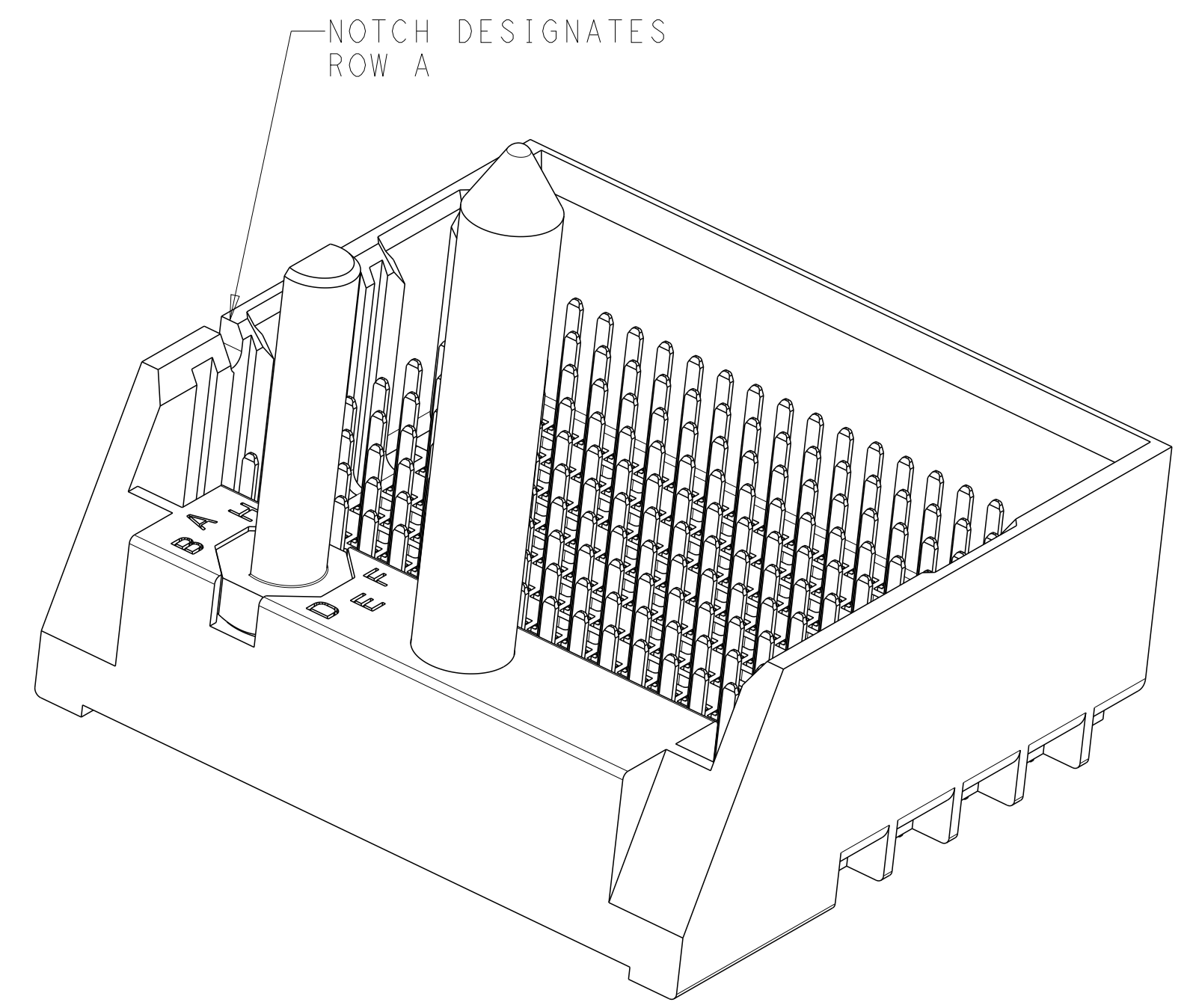
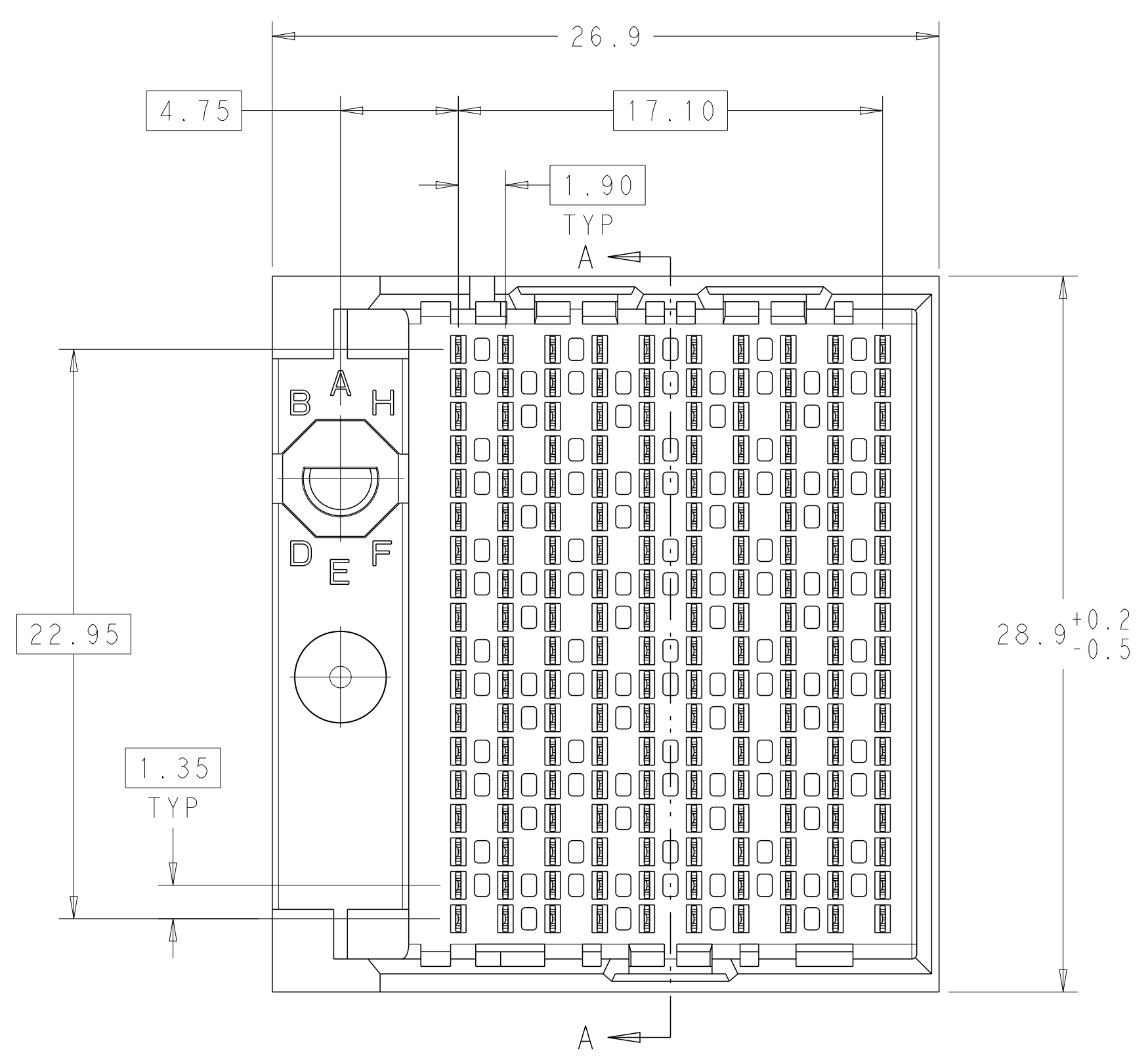
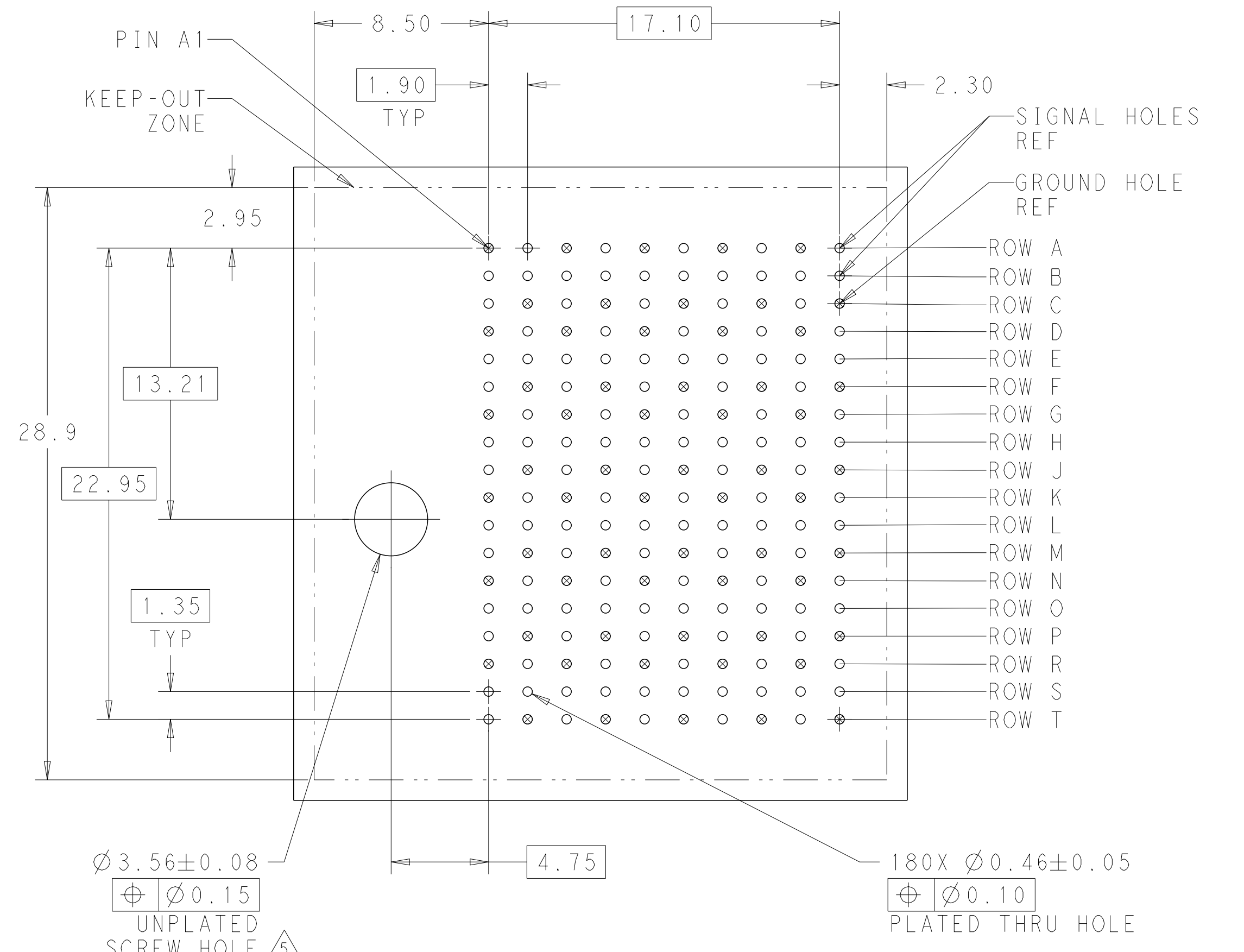


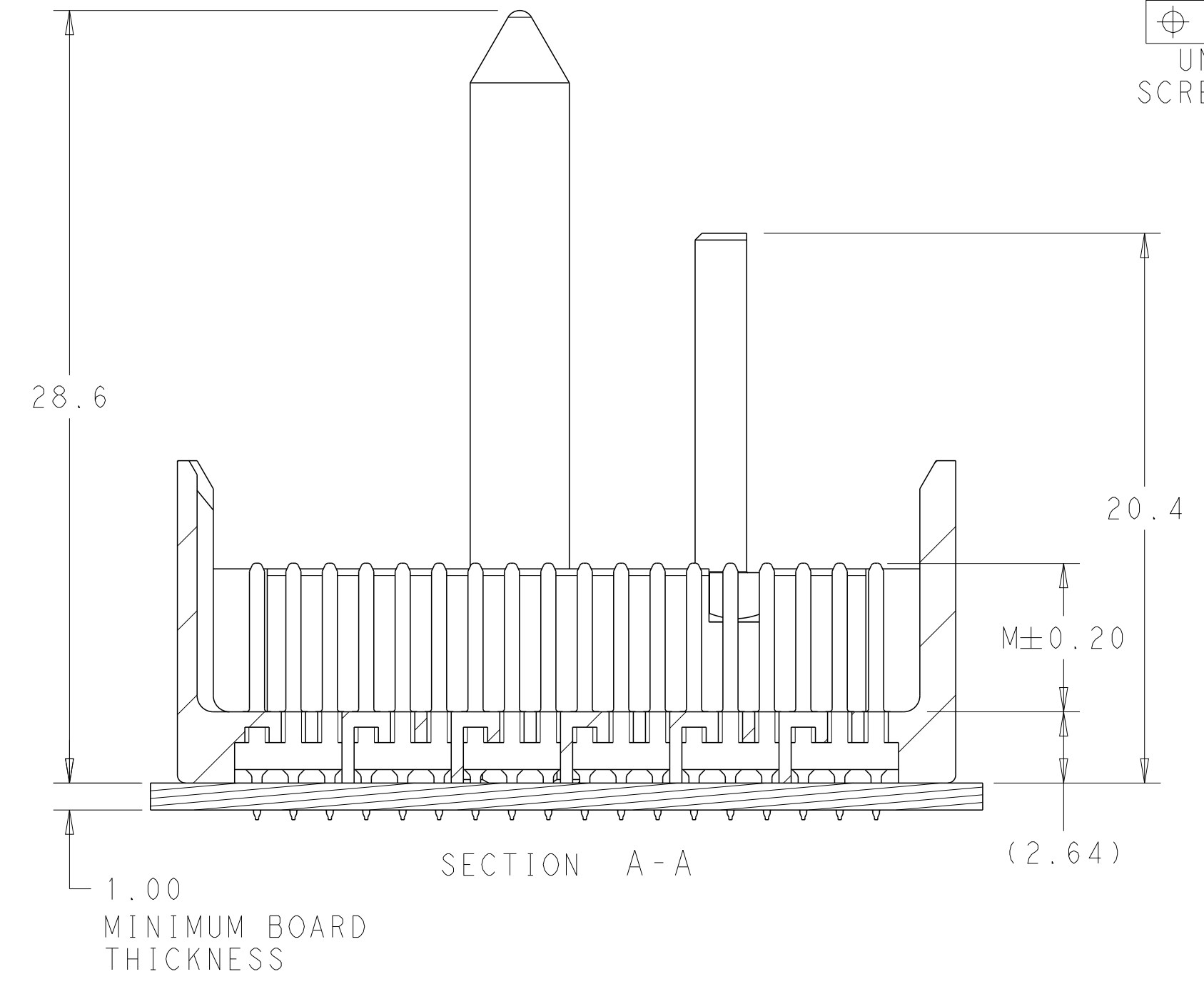
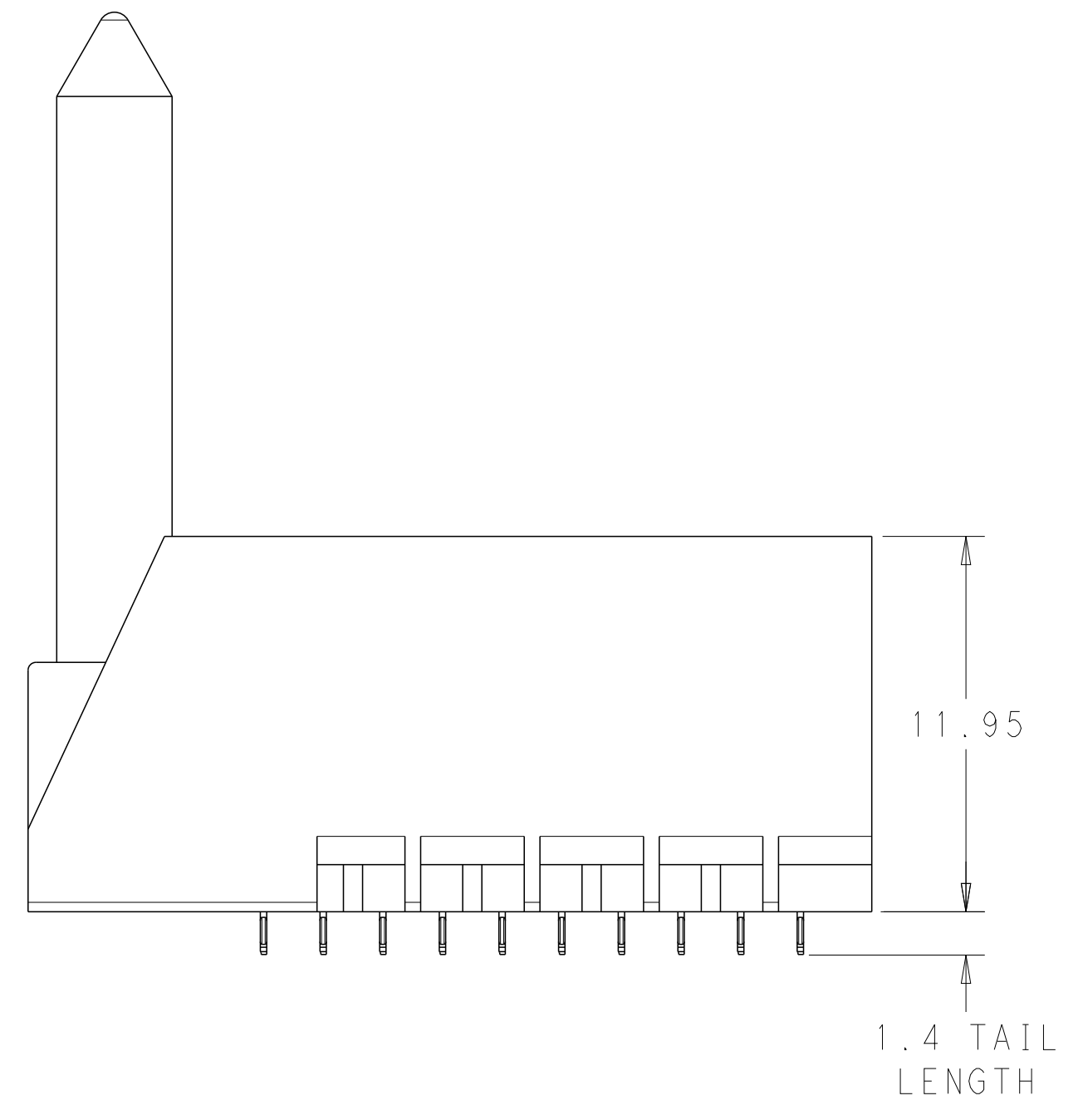
LOC		DIST		REVISIONS			
AD		00		REV	DATE	BY	CHK
A				CREATED BY AUTOMATION PROGRAM	02MAY2011	RKC	JE
A1				REVISED PER ECN-24-252171	23FEB2024	AP	RS



- 1 MATERIAL:  
HOUSING: LCP, GLASS FILLED, UL94V-0.  
TERMINALS: HIGH PERFORMANCE COPPER ALLOY.
- 2 FINISH:  
30µ" MIN GOLD IN CONTACT AREA. SELECTIVE TIN ON PCB TAILS, NICKEL OVERALL.
- 3 FINISH:  
30µ" MIN GOLD IN CONTACT AREA. SELECTIVE TIN-LEAD ON PCB TAILS, NICKEL OVERALL.
- 4. SCREWS PACKAGED IN END OF PACKAGING TUBE.
- 5 FOR GROUNDED GUIDE PIN USE Ø3.56±0.08 PTH, Ø3.66 DRILL, AND Ø6.5 PAD.
- 6. KEYING PIN SHOWN IN POSITION A, SEE KEYING CHART ON SHEET 2 FOR OTHER POSITIONS.



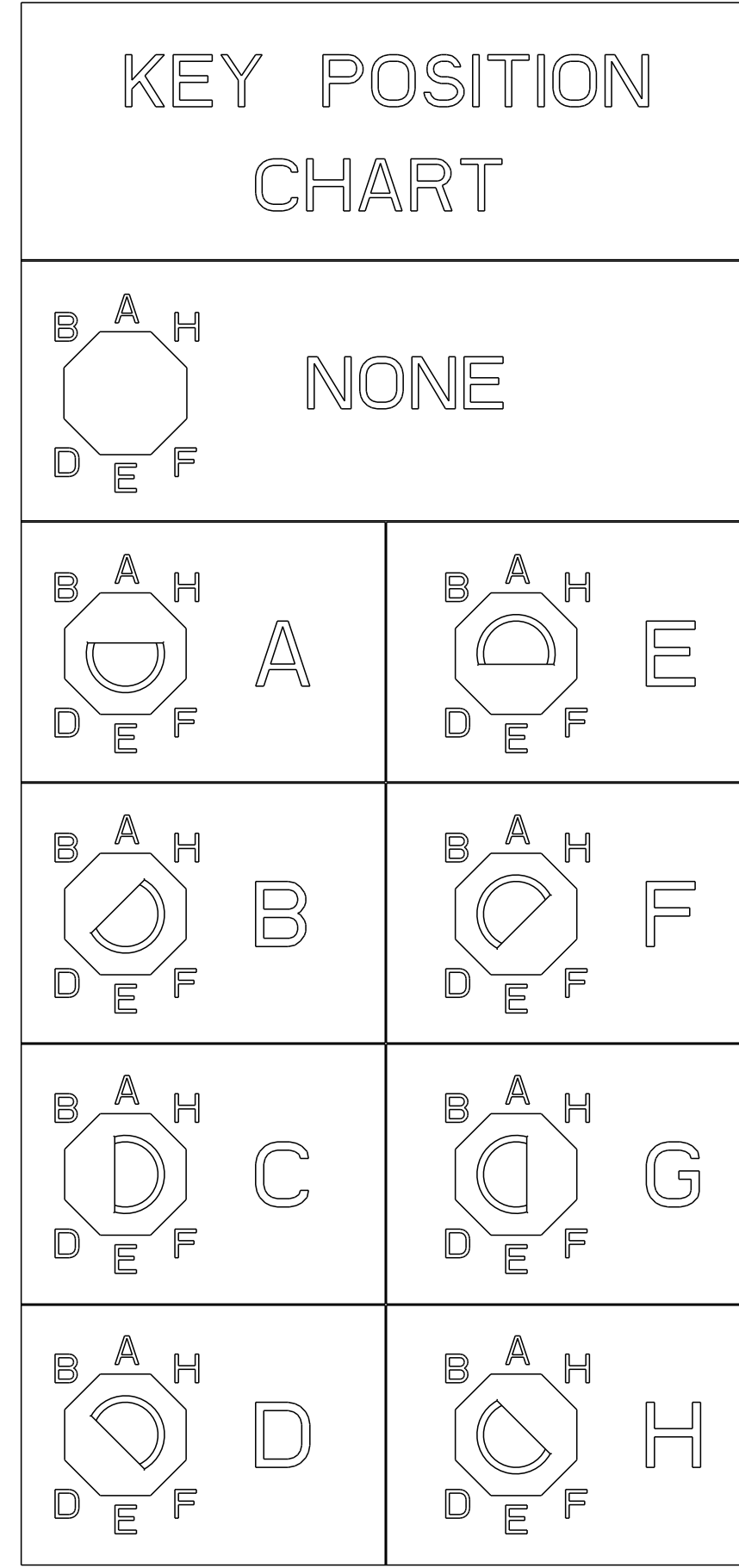
LEFT GUIDED BACKPLANE HOLE PATTERN (CONNECTOR SIDE)



THIS DRAWING IS A CONTROLLED DOCUMENT.		OWN R. COELLO 02MAY2011	TE Connectivity NAME IMPACT, 6 PAIR, 10 COLUMN, HEADER LEFT GUIDED, RIGHT END WALL SIGNAL MODULE, 0.46 PTH SIZE CAGE CODE DRAWING NO RESTRICTED TO A100779C=2007874 CUSTOMER DRAWING SCALE 5:1 SHEET 1 OF 2 REV A1
DIMENSIONS: mm		CHK J. EARY 02MAY2011	
TOLERANCES UNLESS OTHERWISE SPECIFIED:		APVD J. EARY 02MAY2011	
0 PLC ±0.25 1 PLC ±0.13 2 PLC ±0.13 3 PLC ±0.13 4 PLC ±0.13 ANGLES ±0.5° FINISH SEE TABLE		PRODUCT SPEC APPLICATION SPEC	

LOC	DIST	P	LYR	DESCRIPTION	DATE	DNW	APVD
AD	00	-	-	SEE SHEET 1	-	-	-

3	H	5.5	8-2007874-6	OBSOLETE
3	H	4.9	8-2007874-5	
3	H	4.5	8-2007874-4	
2	H	5.5	8-2007874-3	
2	H	4.9	8-2007874-2	
2	H	4.5	8-2007874-1	
3	G	5.5	7-2007874-6	
3	G	4.9	7-2007874-5	
3	G	4.5	7-2007874-4	
2	G	5.5	7-2007874-3	
2	G	4.9	7-2007874-2	
2	G	4.5	7-2007874-1	
3	F	5.5	6-2007874-6	
3	F	4.9	6-2007874-5	
3	F	4.5	6-2007874-4	
2	F	5.5	6-2007874-3	
2	F	4.9	6-2007874-2	
2	F	4.5	6-2007874-1	
3	E	5.5	5-2007874-6	
3	E	4.9	5-2007874-5	
3	E	4.5	5-2007874-4	
2	E	5.5	5-2007874-3	
2	E	4.9	5-2007874-2	
2	E	4.5	5-2007874-1	
3	D	5.5	4-2007874-6	
3	D	4.9	4-2007874-5	
3	D	4.5	4-2007874-4	
2	D	5.5	4-2007874-3	
2	D	4.9	4-2007874-2	
2	D	4.5	4-2007874-1	
3	C	5.5	3-2007874-6	
3	C	4.9	3-2007874-5	
3	C	4.5	3-2007874-4	
2	C	5.5	3-2007874-3	
2	C	4.9	3-2007874-2	
2	C	4.5	3-2007874-1	
3	B	5.5	2-2007874-6	
3	B	4.9	2-2007874-5	
3	B	4.5	2-2007874-4	
2	B	5.5	2-2007874-3	
2	B	4.9	2-2007874-2	
2	B	4.5	2-2007874-1	
3	A	5.5	1-2007874-6	
3	A	4.9	1-2007874-5	
3	A	4.5	1-2007874-4	
2	A	5.5	1-2007874-3	
2	A	4.9	1-2007874-2	
2	A	4.5	1-2007874-1	
3	-	5.5	2007874-6	
3	-	4.9	2007874-5	
3	-	4.5	2007874-4	
2	-	5.5	2007874-3	
2	-	4.9	2007874-2	
2	-	4.5	2007874-1	
FINISH	KEY POSITION	DIM M	PART NUMBER	OBSOLETE



REFER TO WWW.TE.COM  
FOR PRODUCT AVAILABILITY

THIS DRAWING IS A CONTROLLED DOCUMENT.		DNW R. COELLO 02MAY2011	<b>TE</b> Connectivity
DIMENSIONS:		CHK J. EARY 02MAY2011	
mm	TOLERANCES UNLESS OTHERWISE SPECIFIED:	APVD J. EARY 02MAY2011	NAME IMPACT, 6 PAIR, 10 COLUMN, HEADER LEFT GUIDED, RIGHT END WALL SIGNAL MODULE, 0.46 PTH
	0 PLC ± 1 PLC ±0.25 2 PLC ±0.13 3 PLC ± 4 PLC ± ANGLES ±	PRODUCT SPEC	
MATERIAL	FINISH SEE TABLE	APPLICATION SPEC	RESTRICTED TO
CUSTOMER DRAWING		WEIGHT	SIZE CAGE CODE DRAWING NO A100779C=2007874
SCALE 5:1		SHEET 2 OF 2	REV A1