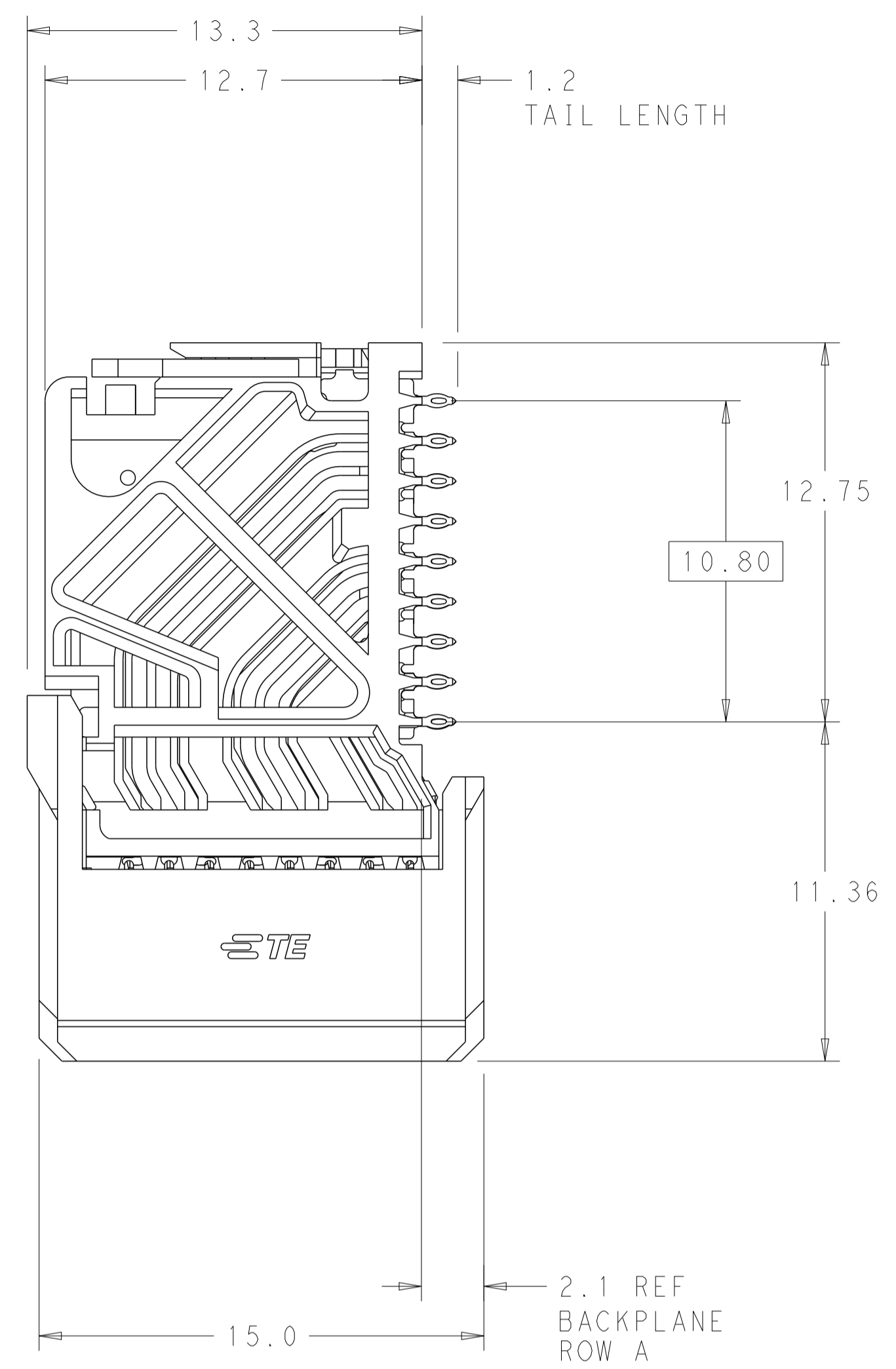
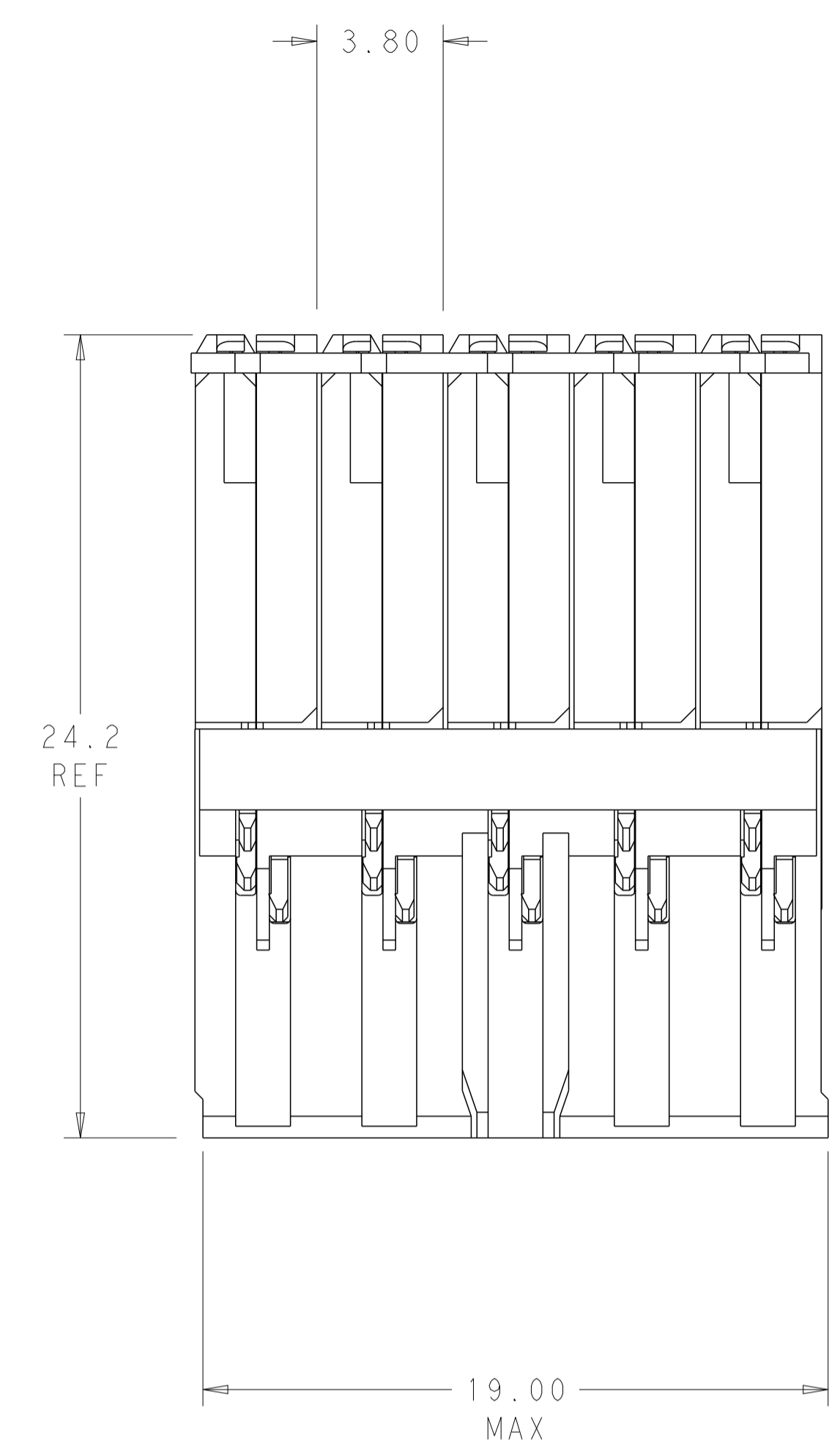
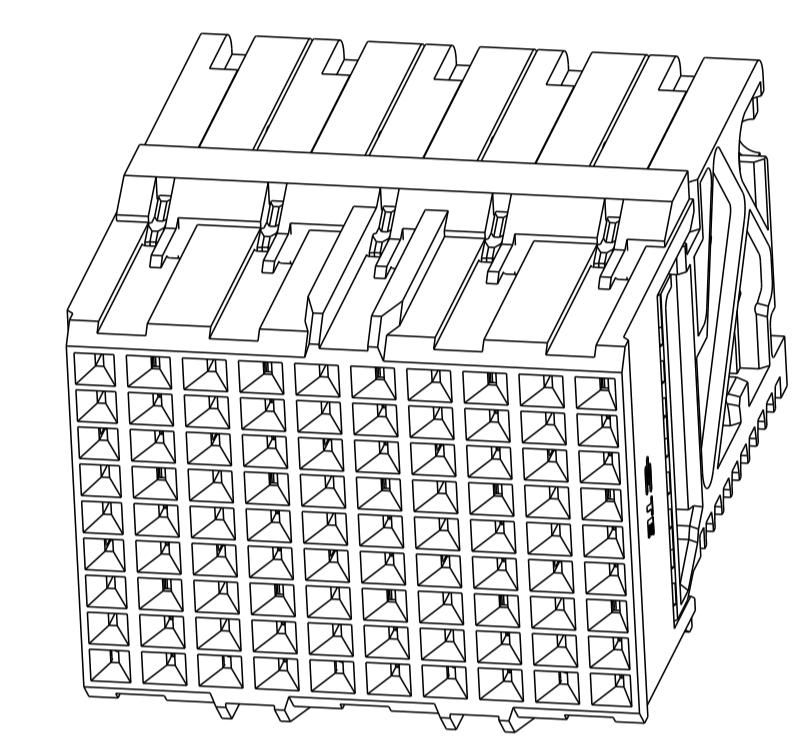


LOC		DIST		REVISIONS			
P	LTN	DESCRIPTION	DATE	DWN	APVD		
H2		REVISED PER ECR-17-007294	19MAY2017	A. S.	S. Y.		
H3		REVISED PER ECN-24-252171	05MAR2024	AP	RS		

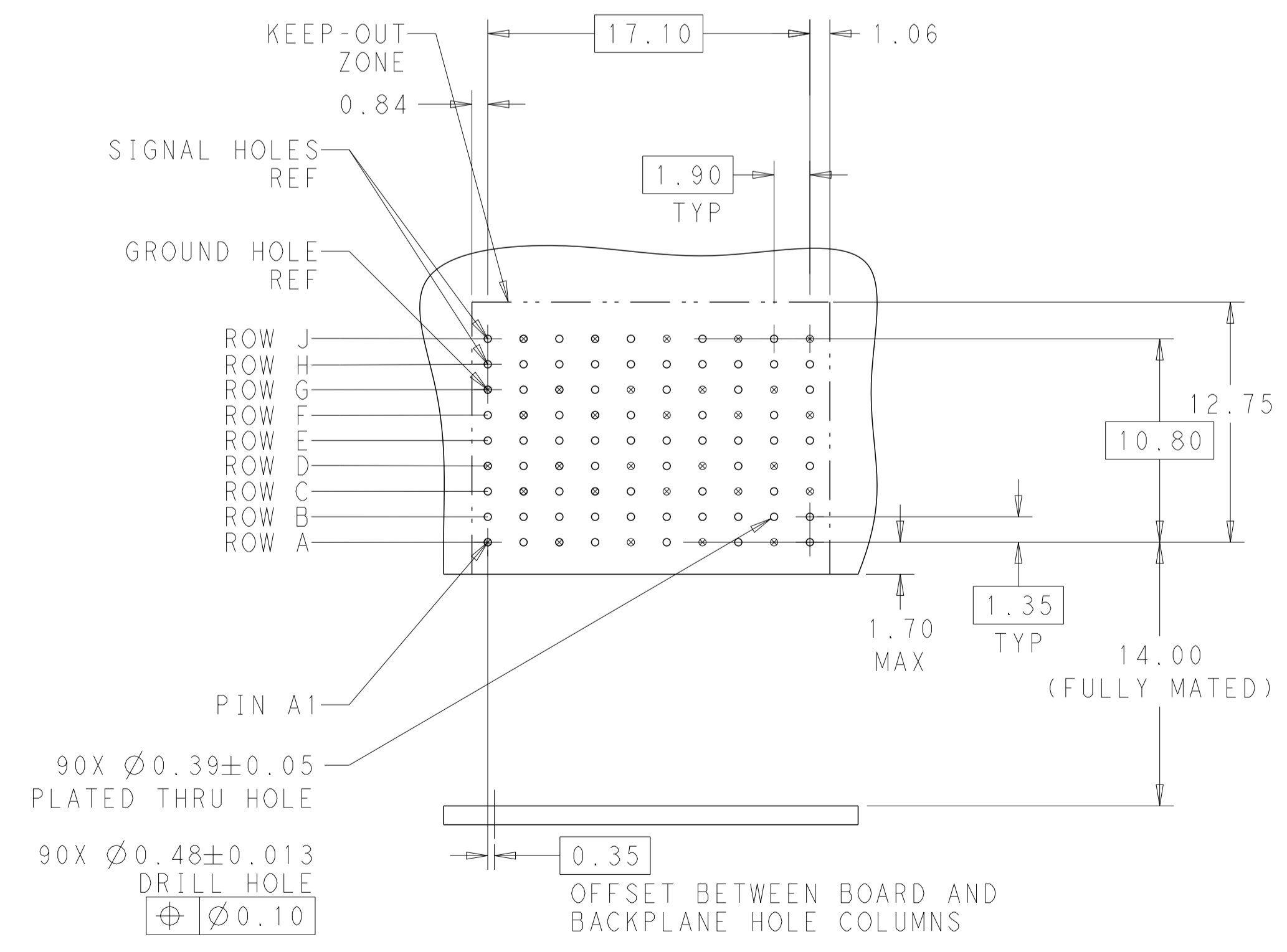
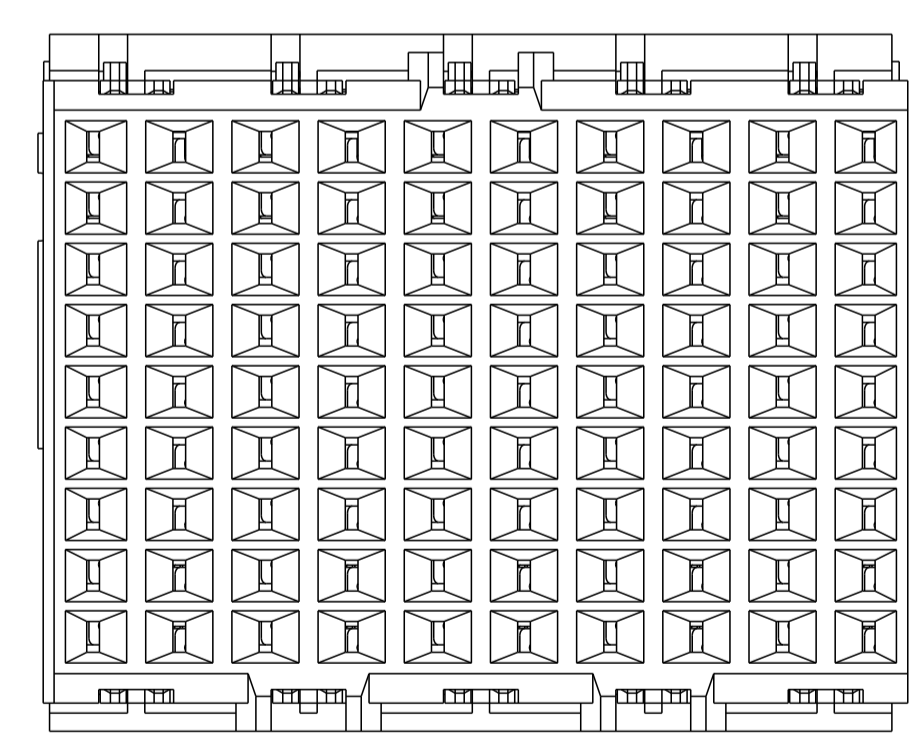


- 1 MATERIAL:  
HOUSING: LCP, GLASS FILLED, UL94V-0.  
TERMINALS: HIGH PERFORMANCE COPPER ALLOY.
- 2 FINISH:  
30μ" SELECTIVE GOLD IN CONTACT AREA. SELECTIVE TIN ON PCB TAILS, NICKEL OVERALL.
- 3 FINISH :  
30μ" SELECTIVE GOLD IN CONTACT AREA. SELECTIVE TIN-LEAD ON PCB TAILS, NICKEL OVERALL.



SCALE 4:1

REFER TO WWW.TE.COM FOR PRODUCT AVAILABILITY



90X Ø0.39±0.05 PLATED THRU HOLE  
 90X Ø0.48±0.013 DRILL HOLE  
 Ø0.10

RECOMMENDED PCB LAYOUT  
 MIN BOARD THICKNESS 1.0

NONE	3	2007705-5
NONE	2	2007705-1
KEY POSITION	FINISH	PART NUMBER

THIS DRAWING IS A CONTROLLED DOCUMENT. DWN 10FEB2011  
 CHK D. DIXON 10FEB2011  
 APVD D. DIXON 10FEB2011

**STE** TE Connectivity

NAME: IMPACT, 3 PAIR, DAUGHTERCARD  
 PRODUCT SPEC: 10 COLUMN, UNGUIDED, SIGNAL MODULE, 0.39 EYELET  
 APPLICATION SPEC: -  
 SIZE: - CAGE CODE: - DRAWING NO: A100779 ©=2007705  
 WEIGHT: - RESTRICTED TO: -  
 CUSTOMER DRAWING SCALE 6:1 SHEET 1 OF 1 REV H3