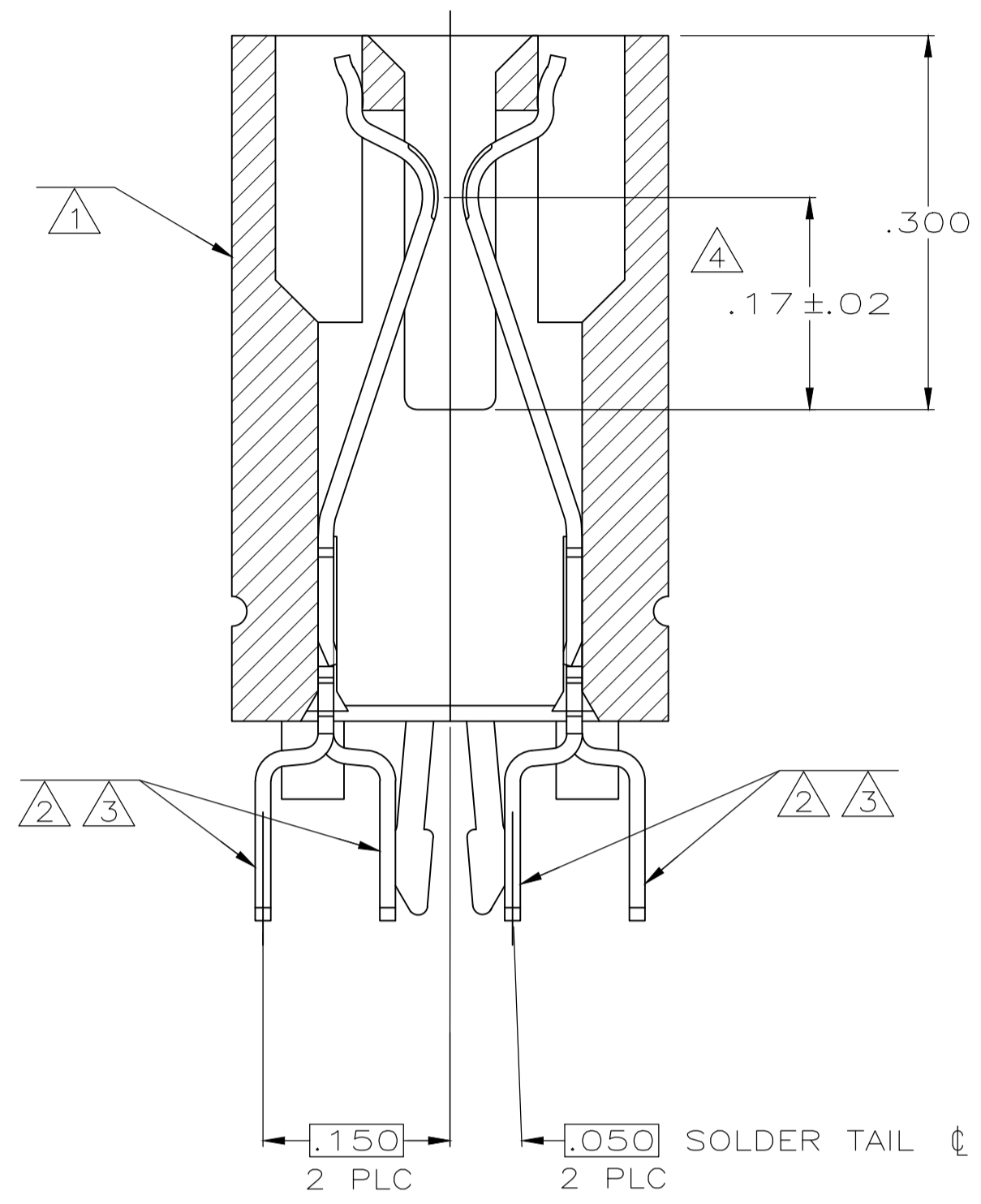
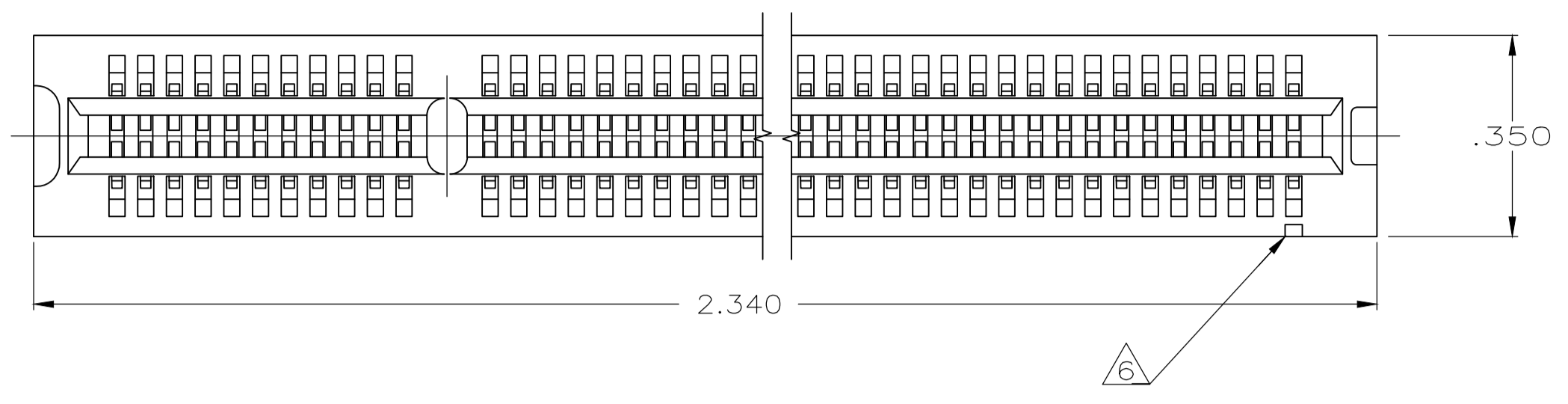
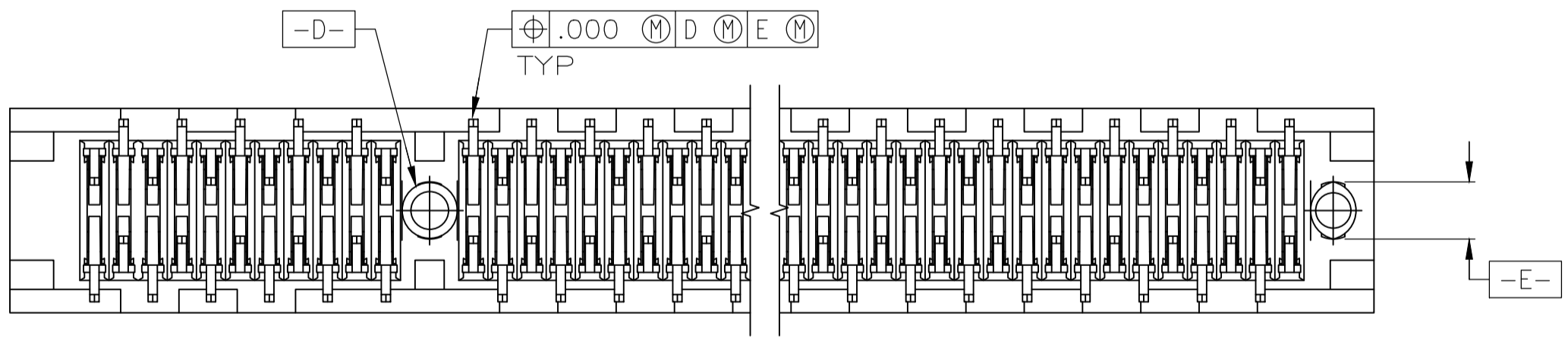
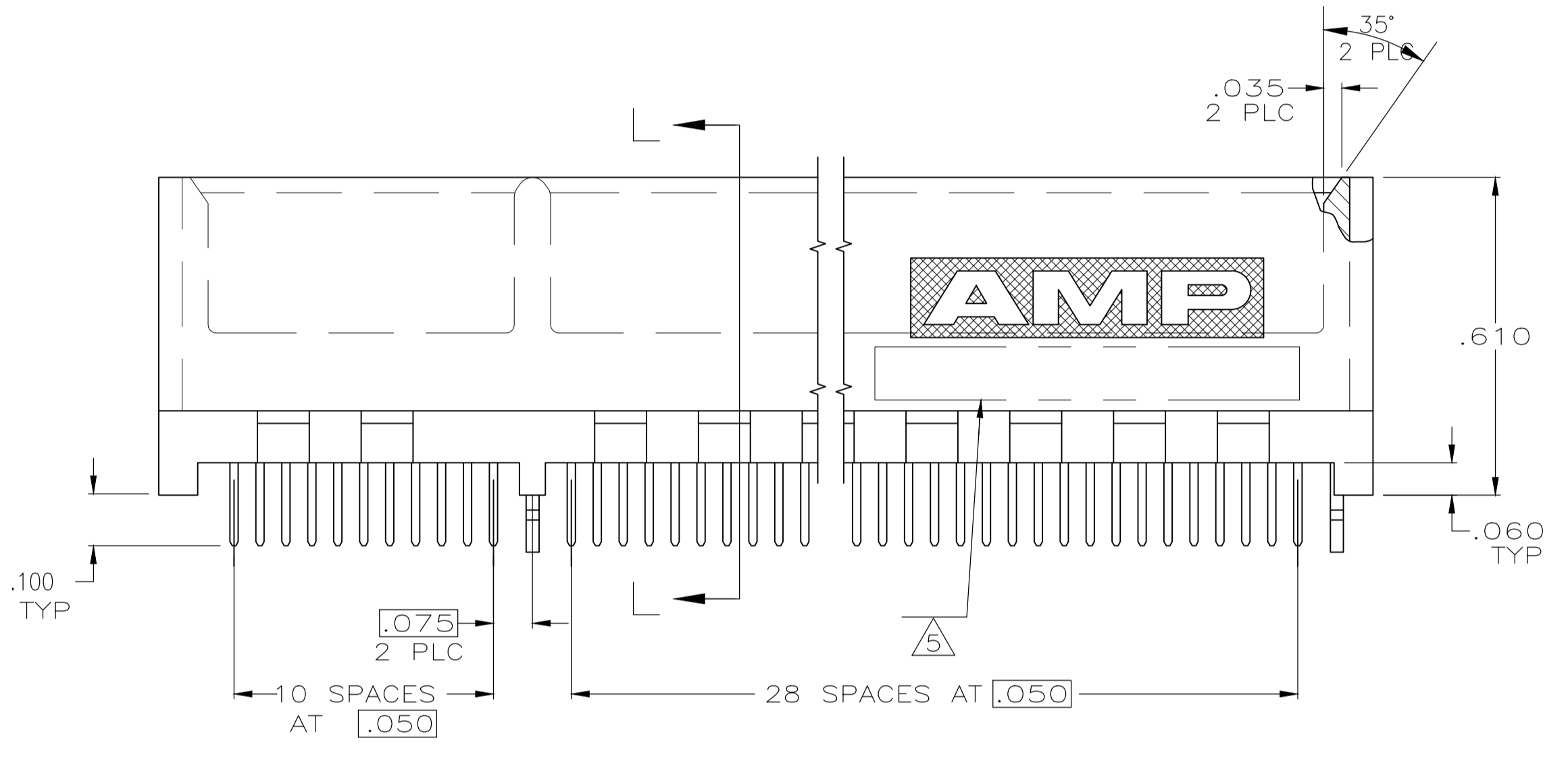


REVISIONS					
P	LTR	DESCRIPTION	DATE	DMN	APVD
C		ECR-12-021893	29MAR2018	FL	HL



SECTION L-L
SCALE 8:1

- 1 HOUSING: HIGH TEMPERATURE THERMOPLASTIC. COLOR: BROWN.
- 2 CONTACT: PHOSPHOR BRONZE.
- 3 CONTACT FINISH: .000100 MIN NICKEL ALL OVER. .000030 MIN GOLD OVER NICKEL IN CONTACT AREA. .000100 MIN TIN-LEAD OVER NICKEL ON SOLDER TAILS.
- 4 DISTANCE FROM CONTACT POINT TO BOTTOM OF CARD SLOT.
- 5 AMP PART NUMBER, DATE CODE AND CSA LOGO MARKED IN APPROXIMATE AREA SHOWN.
- 6 CONTACT FINISH: .000100 MIN NICKEL ALL OVER. .000030 MIN GOLD OVER NICKEL IN CONTACT AREA. .000100 MIN TIN OVER NICKEL ON SOLDER TAILS.

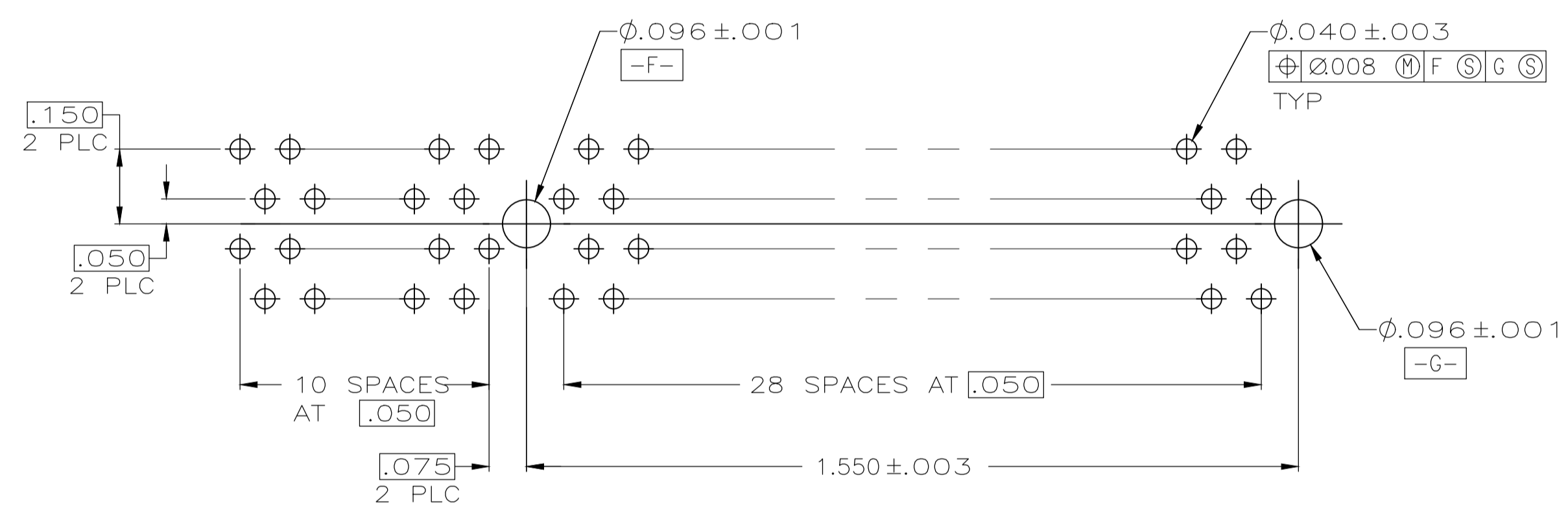


SEE SHEET 2 FOR HOLE PATTERNS

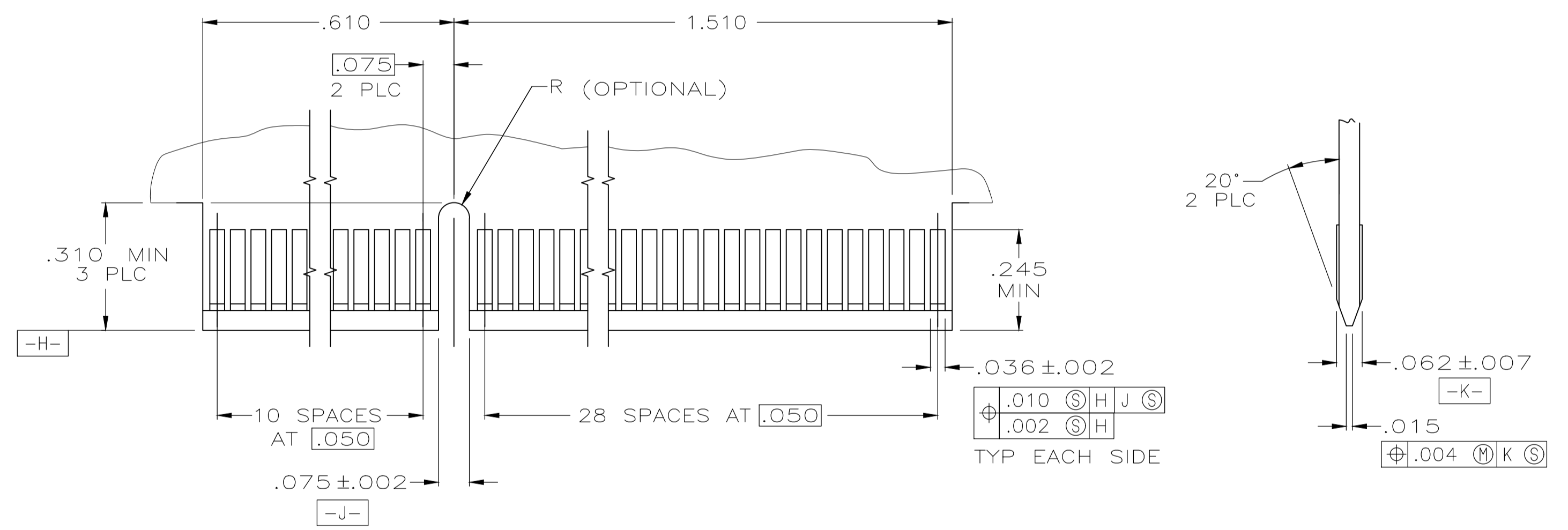
40	2007514-2
40	2007514-1
NO OF DUAL POSN	PART NUMBER

THIS DRAWING IS A CONTROLLED DOCUMENT.		DIN R GRZYBOWSKI 13DEC07		TE Connectivity Ltd.	
DIMENSIONS: INCHES		CHK A FRANTUM 13DEC07			
TOLERANCES UNLESS OTHERWISE SPECIFIED:		APVD S FLICKINGER 13DEC07		NAME	
0 PLC ± -		PRODUCT SPEC		CONNECTOR ASSEMBLY, DUAL POSITION, .050 SERIES.	
1 PLC ± -		APPLICATION SPEC		108-14034	
2 PLC ± .01		SIZE		114-26012	
3 PLC ± .005		WEIGHT		0	
4 PLC ± ± 2'		RESTRICTED TO		A1 00779 C=2007514	
MATERIAL HOUSING 1 CONTACT 2		CUSTOMER DRAWING		SCALE 4:1 SHEET 1 OF 2 REV C	

REVISIONS				
P	LTR	DESCRIPTION	DATE	APPD
-	-	SEE SHEET 1	-	-



RECOMMENDED CONNECTOR MOUNTING HOLE PATTERN A
(CONNECTOR SIDE SHOWN)



RECOMMENDED MATING BOARD EDGE CONFIGURATION
(CONNECTOR SIDE SHOWN)

THIS DRAWING IS A CONTROLLED DOCUMENT.		DIN R. GRZYBOWSKI 13DEC07	TE Connectivity Ltd.
DIMENSIONS: INCHES		CHK A. FRANTUM 13DEC07	
TOLERANCES UNLESS OTHERWISE SPECIFIED:		APPD S. FLICKINGER	NAME CONNECTOR ASSEMBLY, DUAL POSITION, .050 SERIES.
0. PLC ± - 1. PLC ± - 2. PLC ± .01 3. PLC ± .005 4. PLC ± - ANGLES ± - °		PRODUCT SPEC 108-14034	SIZE A1
MATERIAL		APPLICATION SPEC 114-26012	CAGE CODE 00779
FINISH		WEIGHT -	DRAWING NO 2007514
		CUSTOMER DRAWING	RESTRICTED TO -
		SCALE 4:1	SHEET 2 OF 2
			REV C