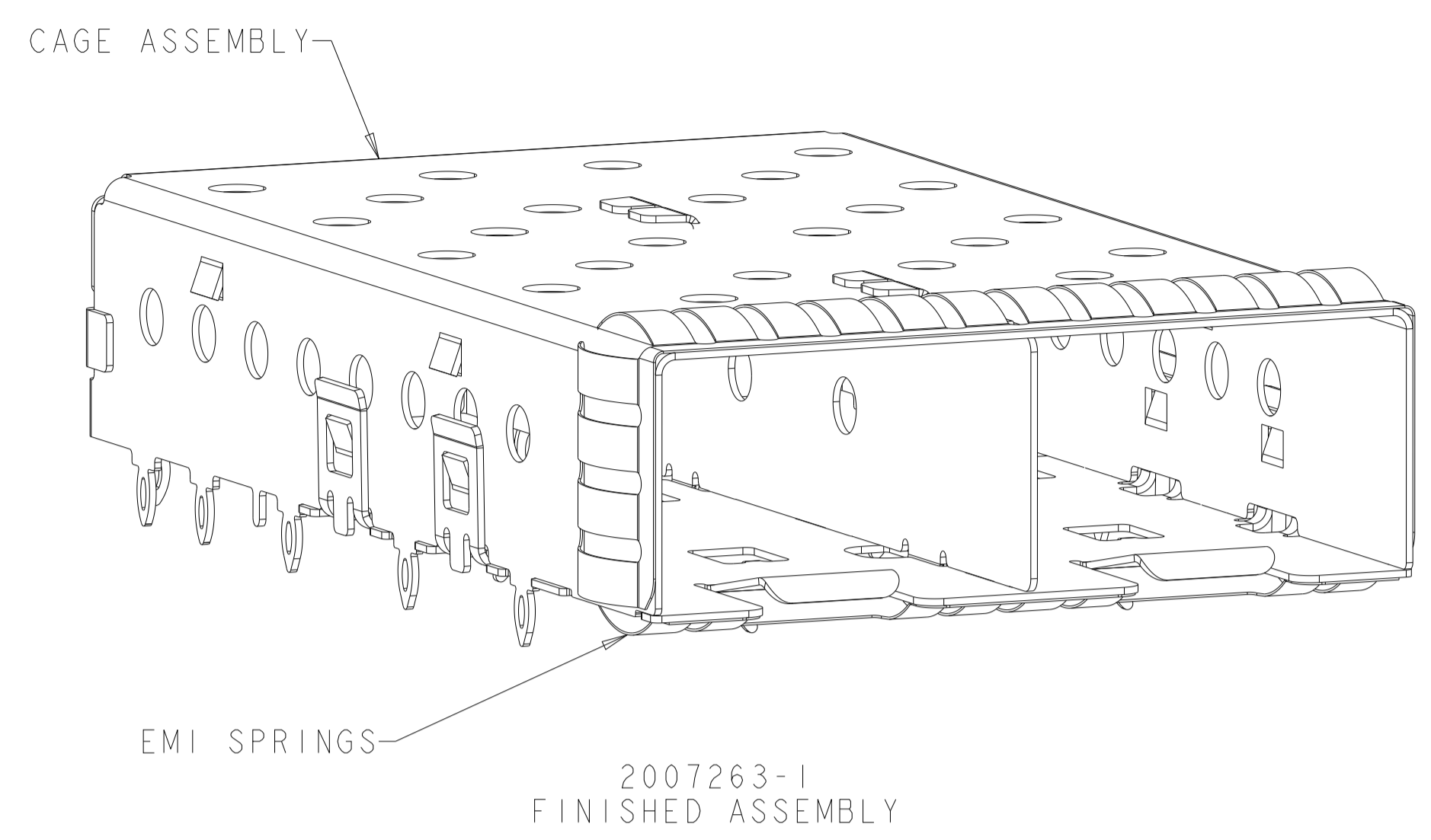
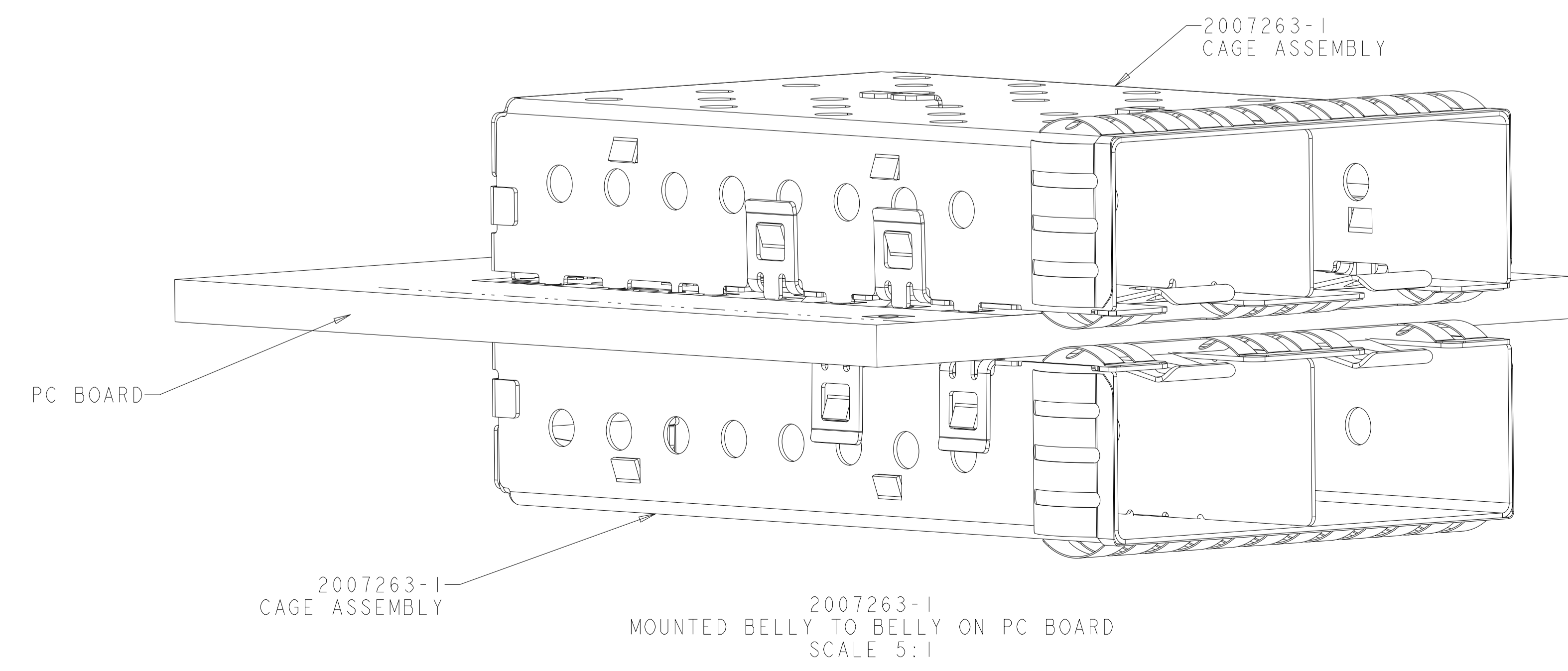
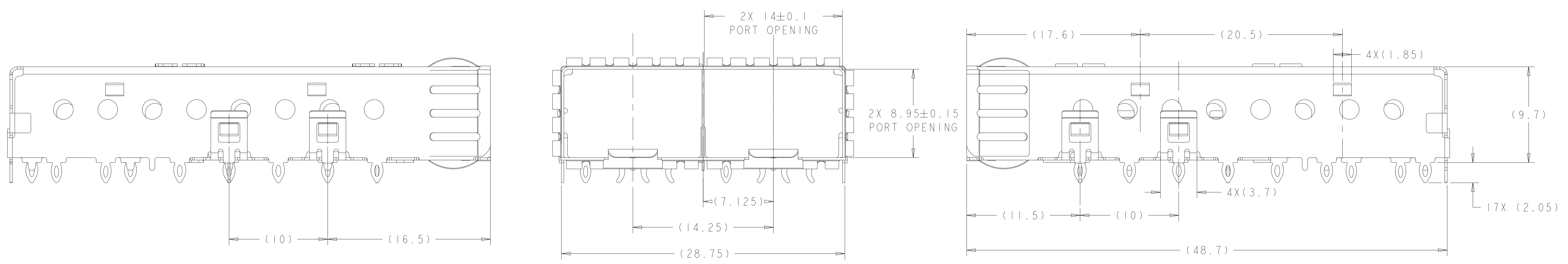


LOC		DIST		REVISIONS			
GP	00	P	LTN	DESCRIPTION	DATE	DMN	APVD
		E		REVISED PER ECO-16-000138	06JAN2016	AJ	SH
		E1		REVISED PER ECO-16-003066	03MAR2016	PP	SH
		F		REVISED PER ECO-19-017939	04NOV2019	ES	SH
		F1		REVISED PER ECN-22-184480	15NOV2022	PT	SZ



- 1. MATERIAL: CAGE ASSEMBLY: 0.25mm THICK NICKEL SILVER ALLOY
EMI SPRINGS: COPPER ALLOY
- 2. FINISH:
SPRINGS - MINIMUM OF 0.8um MATTE TIN PLATED OVER A MINIMUM OF 0.8um NICKEL UNDERPLATE.
NON-PLATED EDGES PERMISSIBLE.
- 3. MATES WITH SFP MSA COMPLIANT TRANSCEIVERS.
- 4. PADS AND VIAS CHASSIS GROUND.
- 5. INTERPRETATION OF DATUM REFERENCE FRAME IN ACCORDANCE WITH SECT 4.4.1.1 OF ASME Y14.5M-1994.
- 6. MINIMUM PC BOARD THICKNESS:
SINGLE SIDED = 1.50
DOUBLE SIDED = 2.25
- 7. HOLE PATTERN REPEATS FOR EACH PORT, SPACING BETWEEN PORTS IS 14.25mm.
- 8. DATUM AND BASIC DIMENSION ESTABLISHED BY CUSTOMER.
- 9. REFERENCE APPLICATION SPEC. 114-13120, HOLE A, FOR RECOMMENDED DRILL HOLE DIAMETER AND PLATING THICKNESS.
- 10. REFERENCE APPLICATION SPEC. 114-13120, HOLE B, FOR RECOMMENDED DRILL HOLE DIAMETER AND PLATING THICKNESS.
- 11. CERTAIN MATING TRANSCEIVERS MAY REQUIRE ADDITIONAL PCB THICKNESS THAT WOULD NEED TO BE DETERMINED BY THE CUSTOMER.
- 12. PRODUCT COMPLIES WITH SPECIFICATION SFF-8433 IMPROVED PLUGGABLE FORM FACTOR FOR SFP+ GANGED CAGES.
- 13. THERE ARE NO BOTTOM CRESCENT PINS IN 2007263-1.
- 14. THESE HOLES OF PCB SHOULD NOT EXIST FOR 2007263-3.



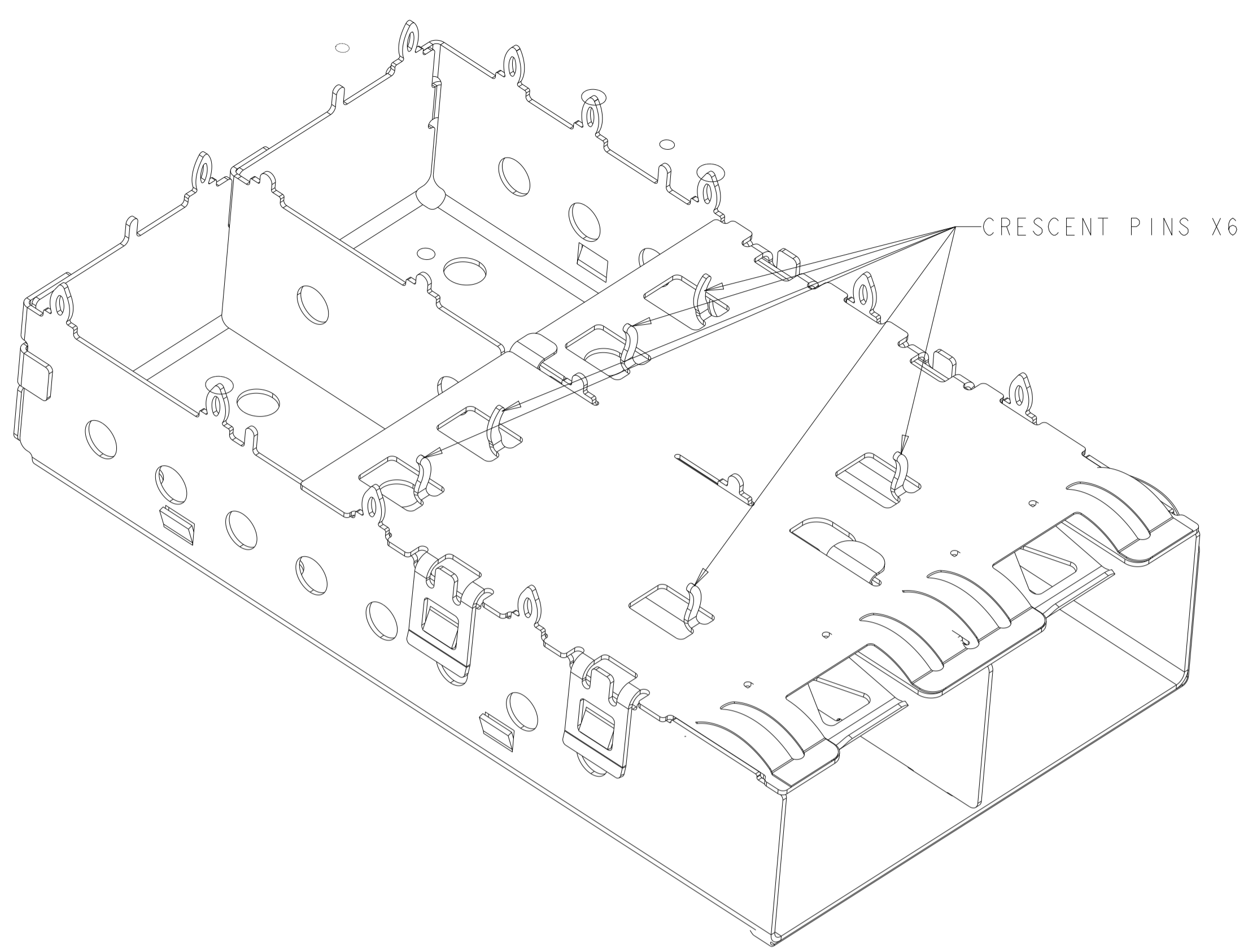
2007263-7
2007263-5
2007263-3
2007263-1
PART NUMBER

THIS DRAWING IS A CONTROLLED DOCUMENT.

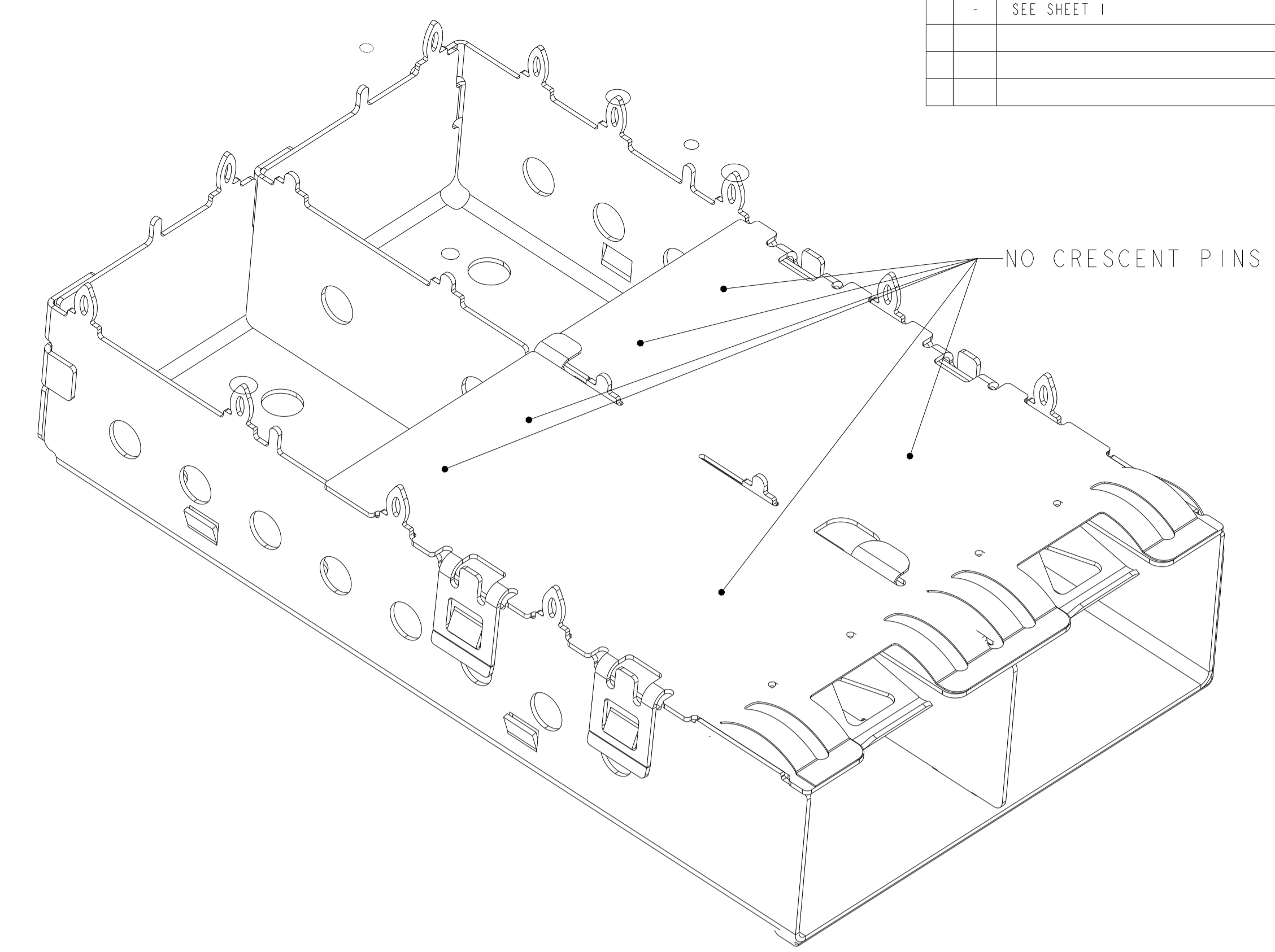
DIMENSIONS:	TOLERANCES UNLESS OTHERWISE SPECIFIED:	DMN M. SCHMITT 17JUL2007	CHK M. SCHMITT 17JUL2007	APVD B. WERTZ 17JUL2007	NAME SFP+ 1X2 CAGE ASSEMBLY PRESS FIT, EXTERNAL EMI SPRINGS
mm	0 PLC ±0.1 1 PLC ±0.1 2 PLC ±0.1 3 PLC ±0.1 4 PLC ±0.1 ANGLES ±1°	PRODUCT SPEC 108-2364	APPLICATION SPEC 114-13120	SIZE CAGE CODE DRAWING NO. 114-13120	RESTRICTED TO
MATERIAL	FINISH	WEIGHT	CUSTOMER DRAWING	A1 00779 ©=2007263	SCALE 5:1 SHEET 1 OF 9 REV F1

STE TE Connectivity

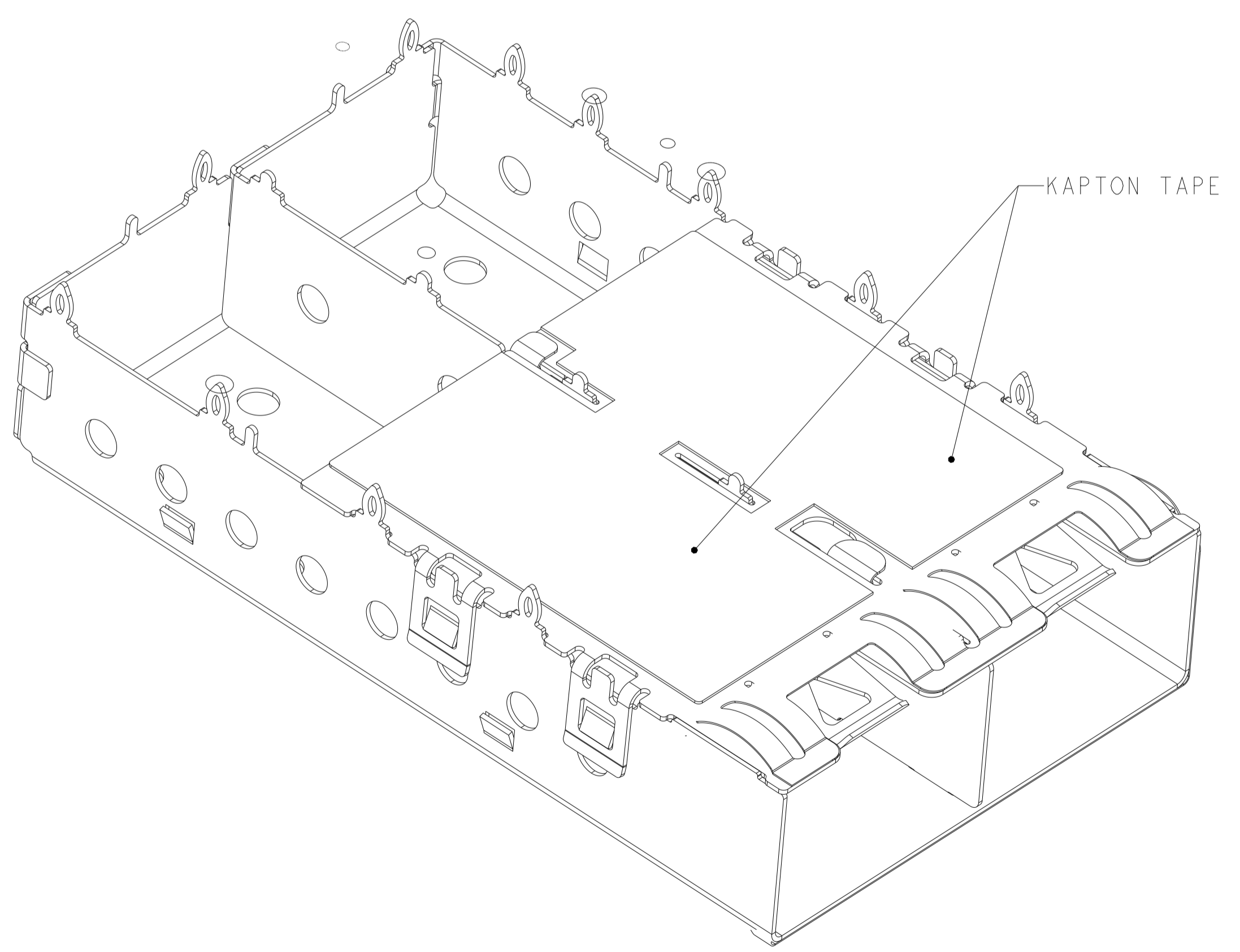
LOC	DIST	REVISIONS					
GP	00	P	LYR	DESCRIPTION	DATE	DMN	APVD
		-		SEE SHEET 1	-	-	-



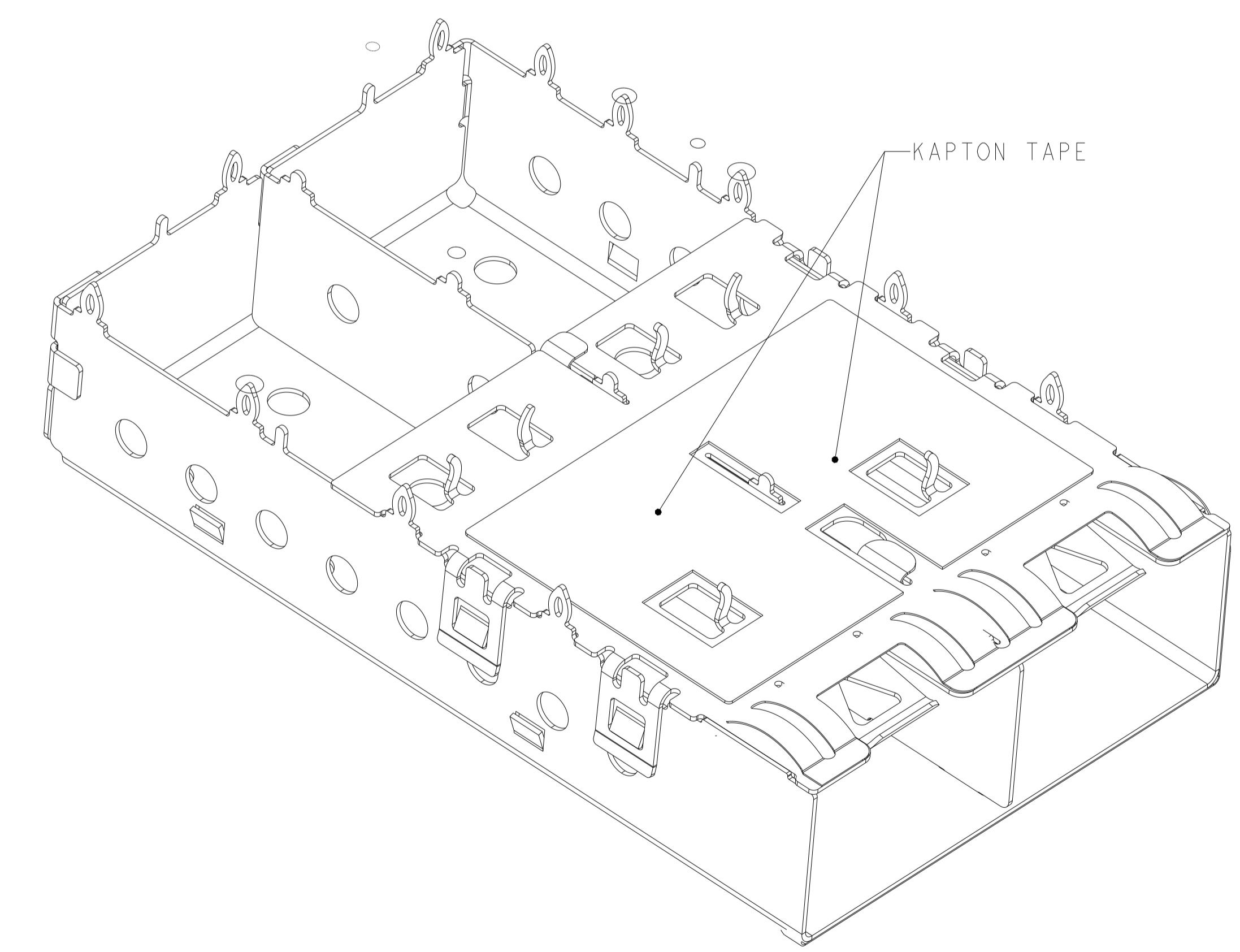
2007263-1 AS SHOWN
 WITH CRESCENT PINS X6
 SCALE 5:1



2007263-3 IS THE SAME TO 2007263-1 AS SHOWN Δ ₃
 EXCEPT WITH NO CRESCENT PINS
 SCALE 5:1



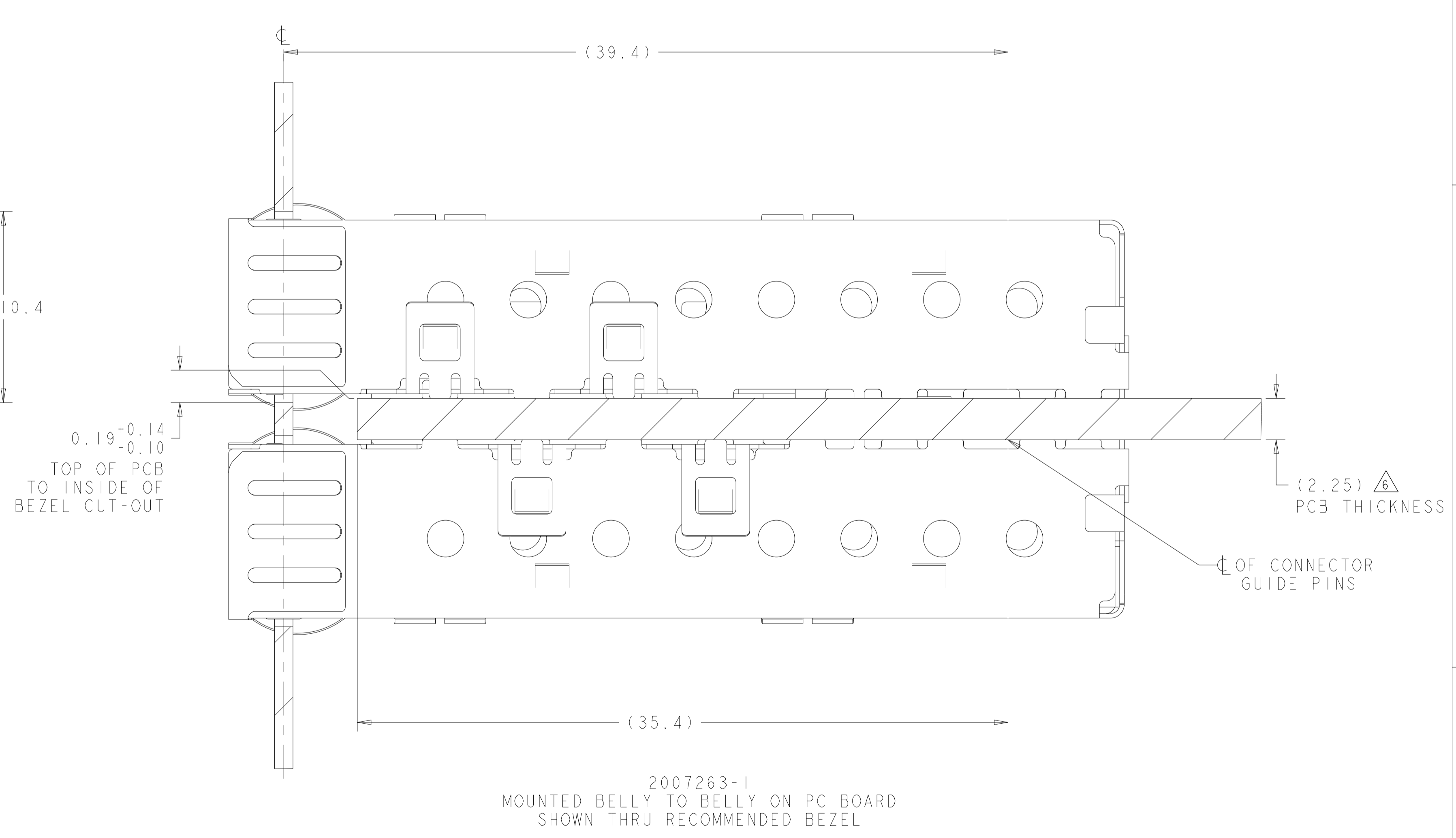
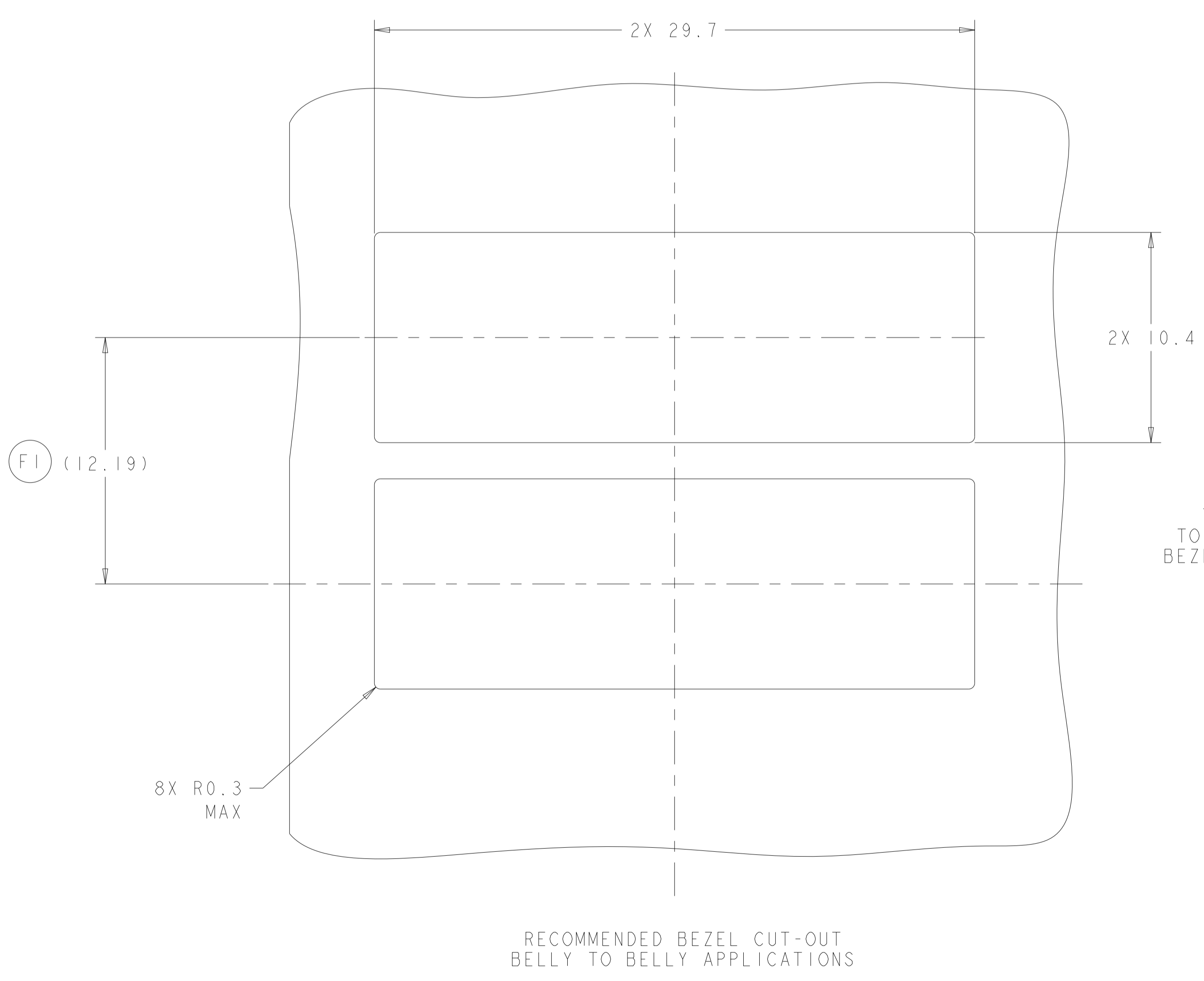
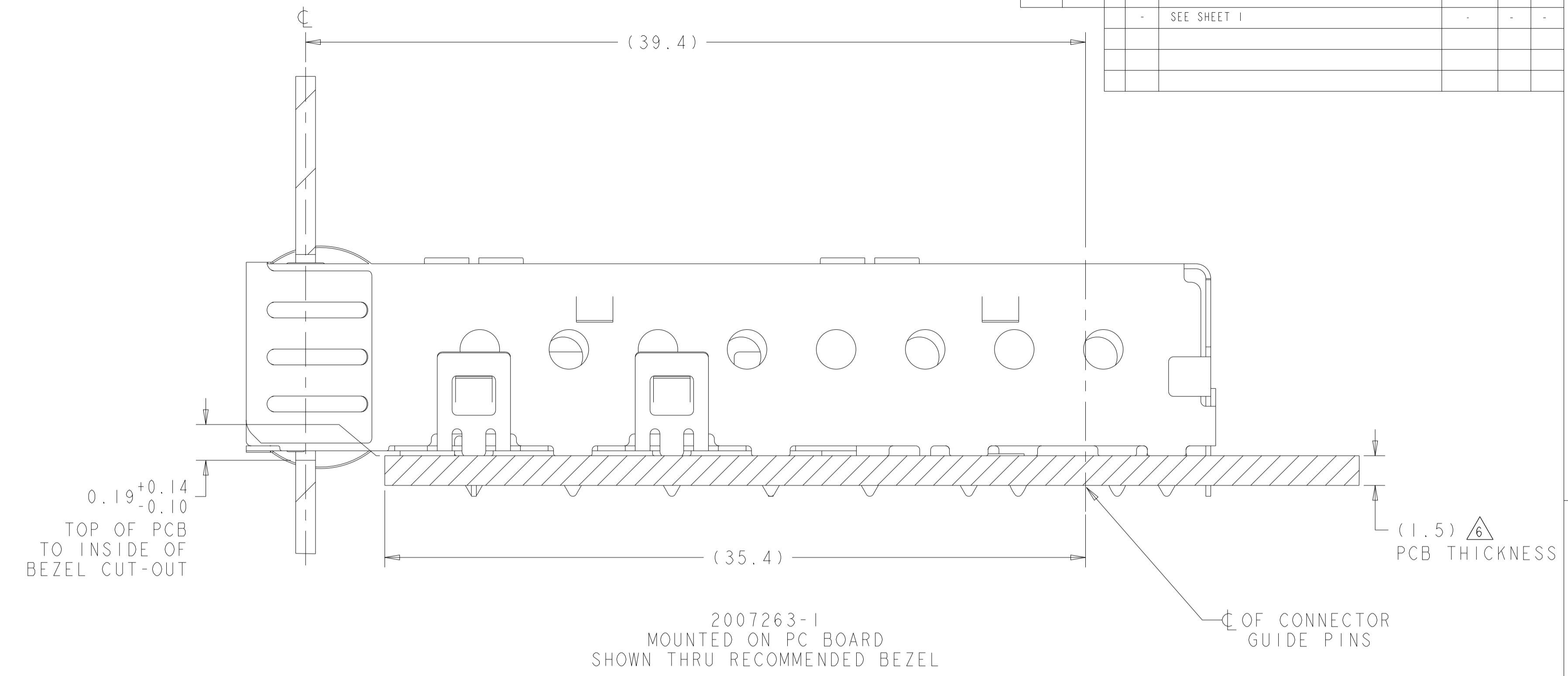
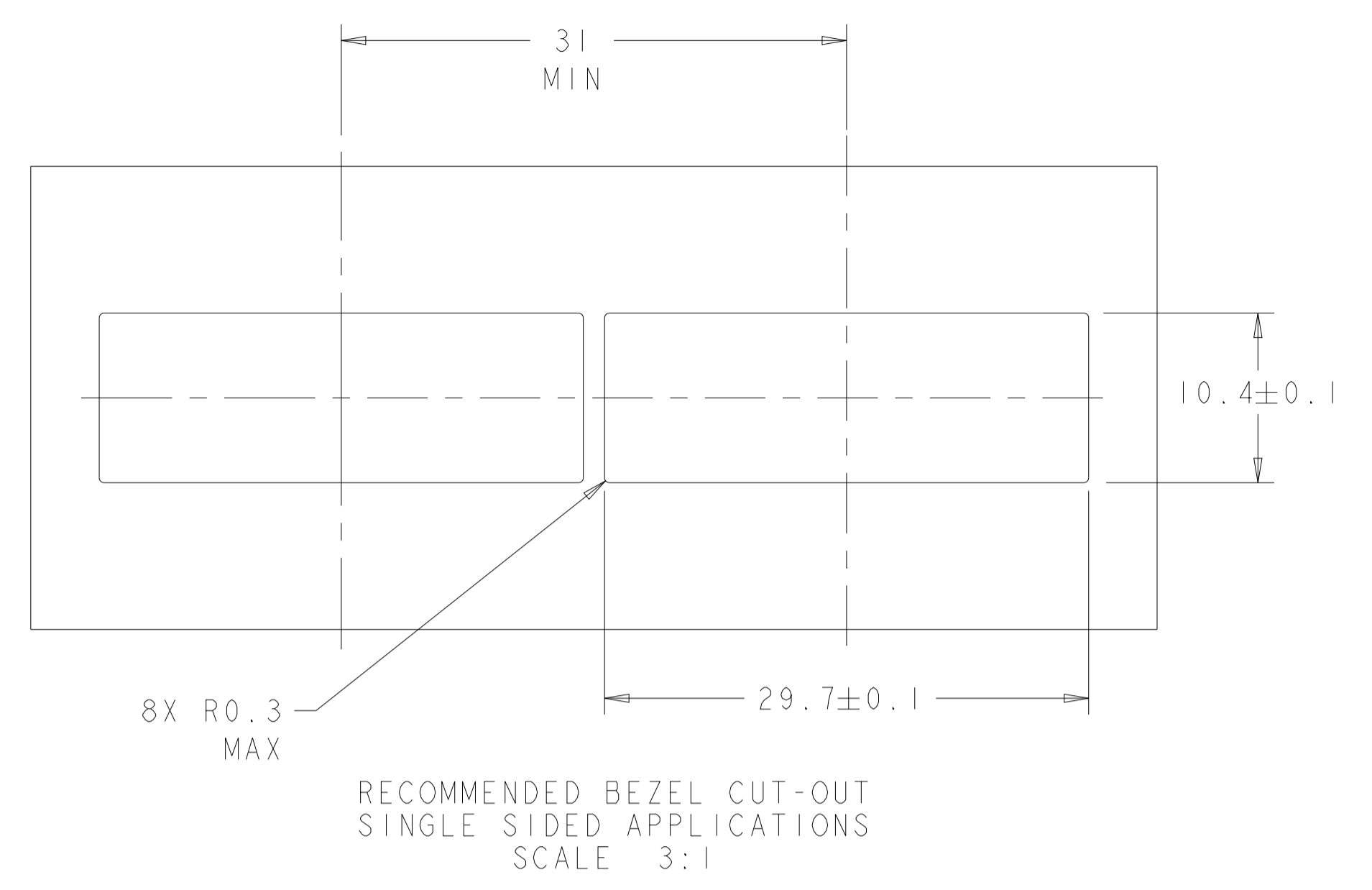
2007263-5 IS AS SHOWN WITH KAPTON TAPE
 SCALE 5:1



2007263-7 IS THE SAME TO 2007263-1 AS SHOWN
 EXCEPT WITH KAPTON TAPE
 SCALE 5:1

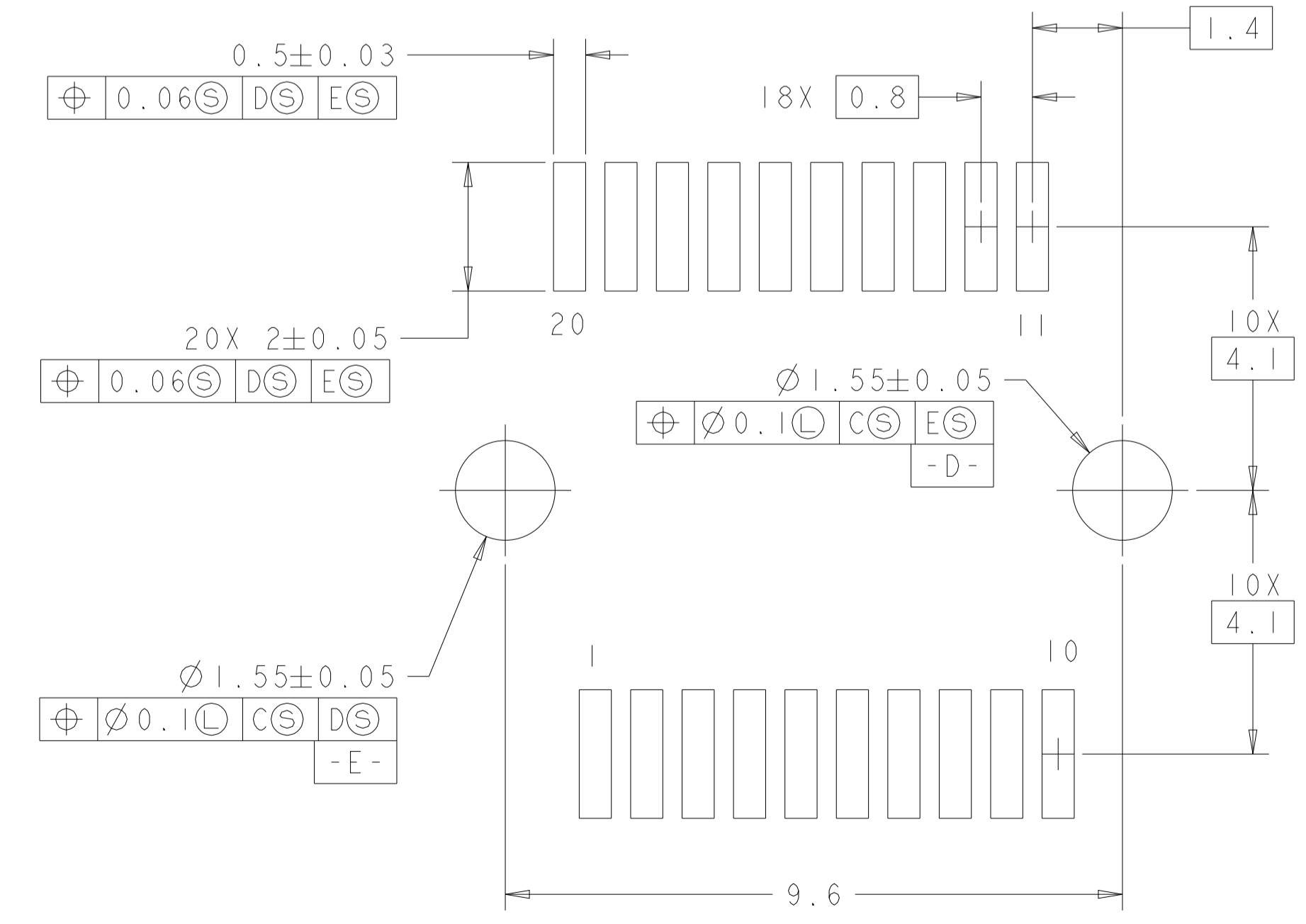
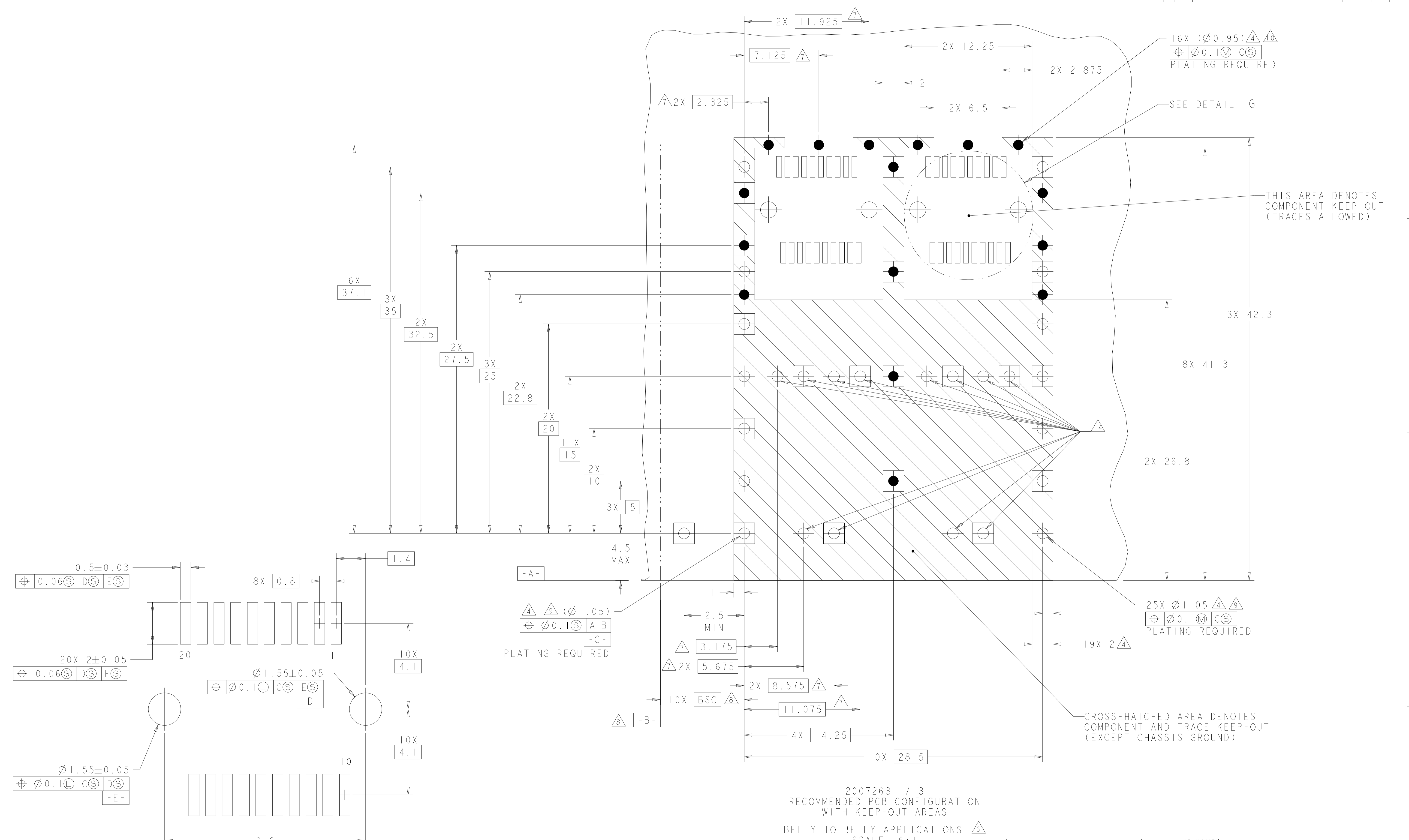
THIS DRAWING IS A CONTROLLED DOCUMENT.		DMN M. SCHMITT 17JUL2007	STE TE Connectivity
DIMENSIONS: mm		CHK M. SCHMITT 17JUL2007	
TOLERANCES UNLESS OTHERWISE SPECIFIED:		APVD B. WERTZ 17JUL2007	NAME SFP+ 1X2 CAGE ASSEMBLY PRESS FIT, EXTERNAL EMI SPRINGS
0 PLC	±0.1	PRODUCT SPEC	SIZE CAGE CODE DRAWING NO RESTRICTED TO
1 PLC	±0.1	108-2364	A100779C=2007263
2 PLC	±0.1	APPLICATION SPEC	SCALE 6:1 SHEET 2 OF 9 REV F1
3 PLC	±0.1	114-13120	
4 PLC	±0.1	WEIGHT	
ANGLES	±1°0'	CUSTOMER DRAWING	
MATERIAL	FINISH		

LOC	DIST	REVISIONS					
GP	00	P	LTN	DESCRIPTION	DATE	DMN	APVD
-	-	-	-	SEE SHEET 1	-	-	-



THIS DRAWING IS A CONTROLLED DOCUMENT.		DMN M. SCHMITT 17JUL2007	TE Connectivity
DIMENSIONS: mm		CHK M. SCHMITT 17JUL2007	
TOLERANCES UNLESS OTHERWISE SPECIFIED:		APVD B. WERTZ 17JUL2007	NAME SFP+ 1X2 CAGE ASSEMBLY PRESS FIT, EXTERNAL EMI SPRINGS
0 PLC ±0.1	1 PLC ±0.1	PRODUCT SPEC 108-2364	SIZE CAGE CODE DRAWING NO RESTRICTED TO
2 PLC ±0.1	3 PLC ±0.1	APPLICATION SPEC 114-13120	A100779C=2007263
4 PLC ±0.1	ANGLES ±1°	WEIGHT -	CUSTOMER DRAWING SCALE 6:1 SHEET 3 OF 9 REV F1
MATERIAL -	FINISH -		

LOC	DIST	REV	DATE	BY	APPV
GP	00				
REVISIONS					

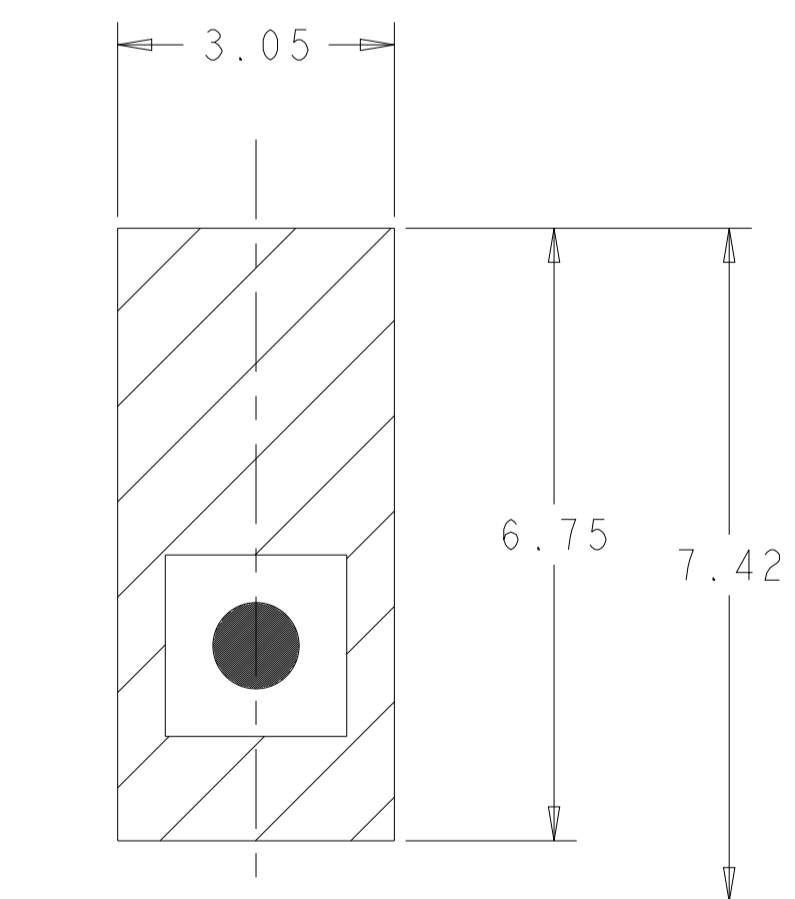
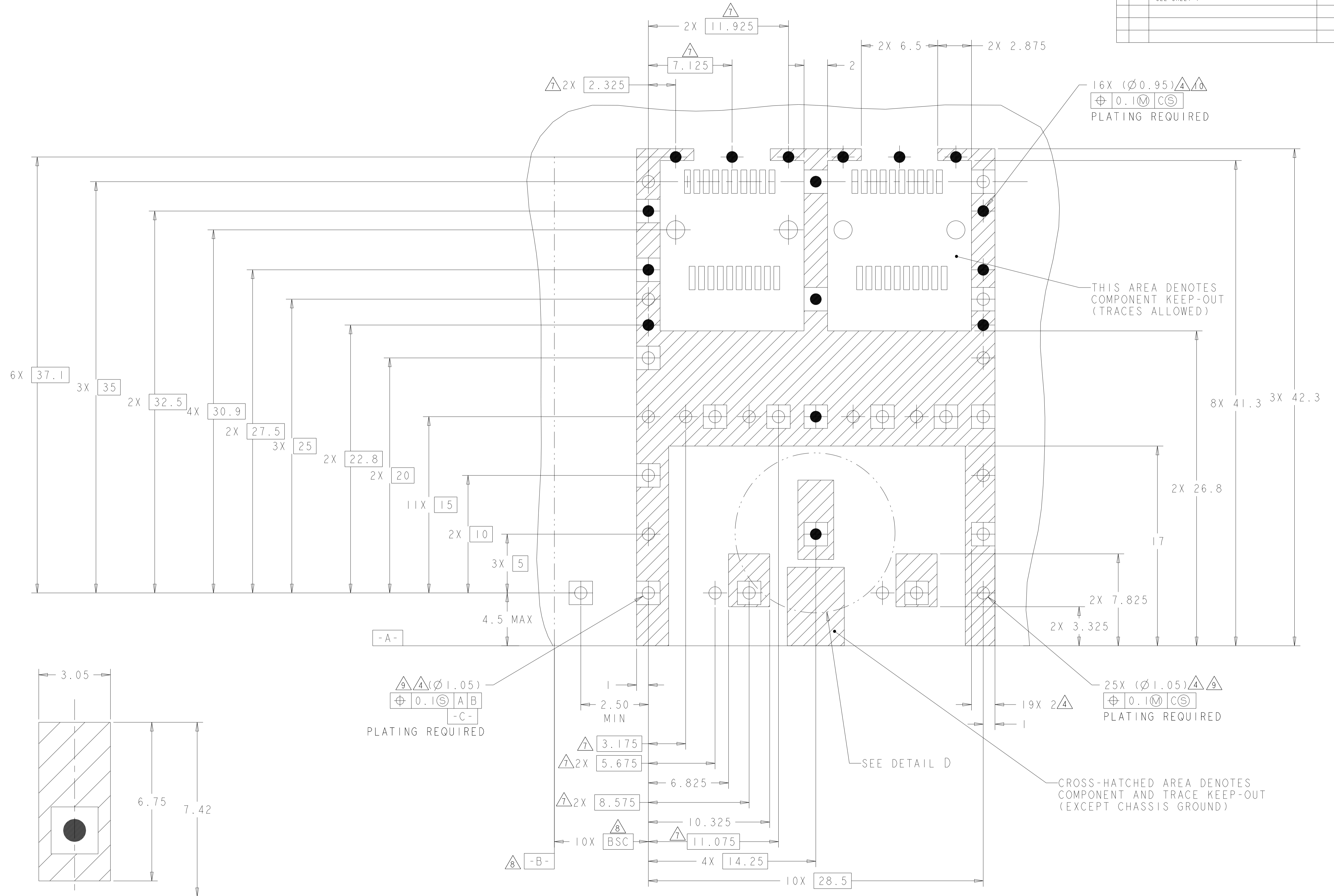


DETAIL G
 RECOMMENDED PT CONNECTOR LAYOUT
 4X INDIVIDUALLY
 SCALE 12:1

2007263-1/-3
 RECOMMENDED PCB CONFIGURATION
 WITH KEEP-OUT AREAS
 BELLY TO BELLY APPLICATIONS
 SCALE 6:1

THIS DRAWING IS A CONTROLLED DOCUMENT.		OWN M. SCHMITT 17JUL2007	TE Connectivity
DIMENSIONS:		CHK M. SCHMITT 17JUL2007	
TOLERANCES UNLESS OTHERWISE SPECIFIED:		APPV B. WERTZ 17JUL2007	NAME SFP+ 1X2 CAGE ASSEMBLY PRESS FIT, EXTERNAL EMI SPRINGS
mm	0 PLC ±0.1	PRODUCT SPEC 108-2364	SIZE CAGE CODE DRAWING NO RESTRICTED TO
	1 PLC ±0.1	APPLICATION SPEC 114-13120	A100779C=2007263
	2 PLC ±0.1	WEIGHT	SCALE 6:1 SHEET 5 OF 9 REV F1
	3 PLC ±0.1	CUSTOMER DRAWING	
	4 PLC ±0.1		
	ANGLES ±1°		
	FINISH		

LOC		DIST		REVISIONS			
GP	00	P	LYR	DESCRIPTION	DATE	DNW	APVD
-	-	-	-	SEE SHEET 1	-	-	-



9 4 (Ø1.05)
 0.1 M CS
 -C-
 PLATING REQUIRED

1
 2.50
 MIN
 3.175
 2X 5.675
 2X 8.575
 10X BSC
 11.075
 4X 14.25
 10X 28.5
 -B-

25X (Ø1.05) 4, 9
 0.1 M CS
 PLATING REQUIRED

CROSS-HATCHED AREA DENOTES
 COMPONENT AND TRACE KEEP-OUT
 (EXCEPT CHASSIS GROUND)

2007263-7
 RECOMMENDED PCB CONFIGURATION WITH KEEP-OUT AREAS FOR BELLY TO BELLY APPLICATIONS
 SAME AS SINGLE SIDE APPLICATION, EXCEPT AS SHOWN
 SCALE 6:1

THIS DRAWING IS A CONTROLLED DOCUMENT.		DNW M. SCHMITT 17JUL2007	TE Connectivity NAME SFP+ 1X2 CAGE ASSEMBLY PRESS FIT, EXTERNAL EMI SPRINGS
DIMENSIONS: mm		CHK M. SCHMITT 17JUL2007	
TOLERANCES UNLESS OTHERWISE SPECIFIED:		APVD B. WERTZ 17JUL2007	PRODUCT SPEC 108-2364
0 PLC ±0.1 1 PLC ±0.1 2 PLC ±0.1 3 PLC ±0.1 4 PLC ±0.1 ANGLES ±1°		APPLICATION SPEC 114-13120	RESTRICTED TO
MATERIAL		WEIGHT	SIZE CAGE CODE DRAWING NO A100779C=2007263
FINISH		CUSTOMER DRAWING	SCALE 6:1 SHEET 9 OF 9 REV F1