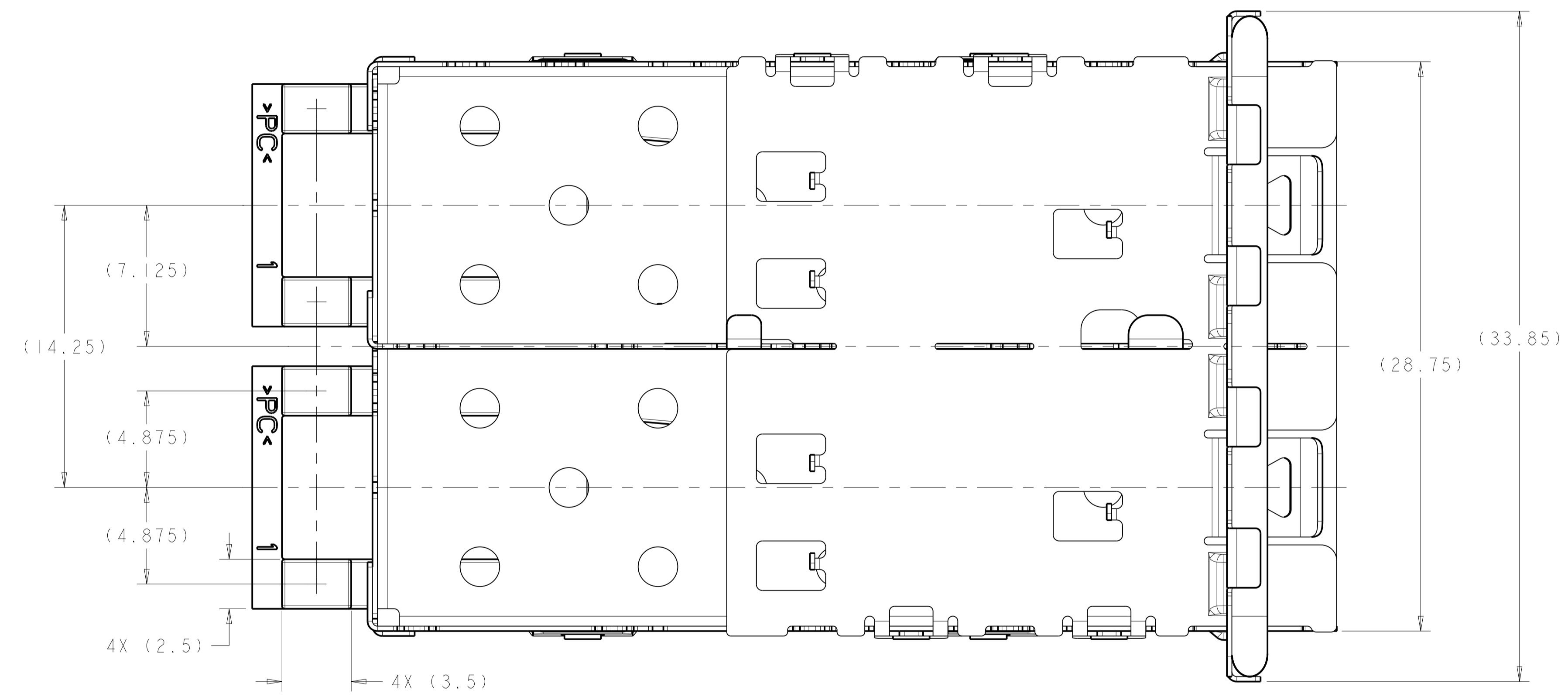
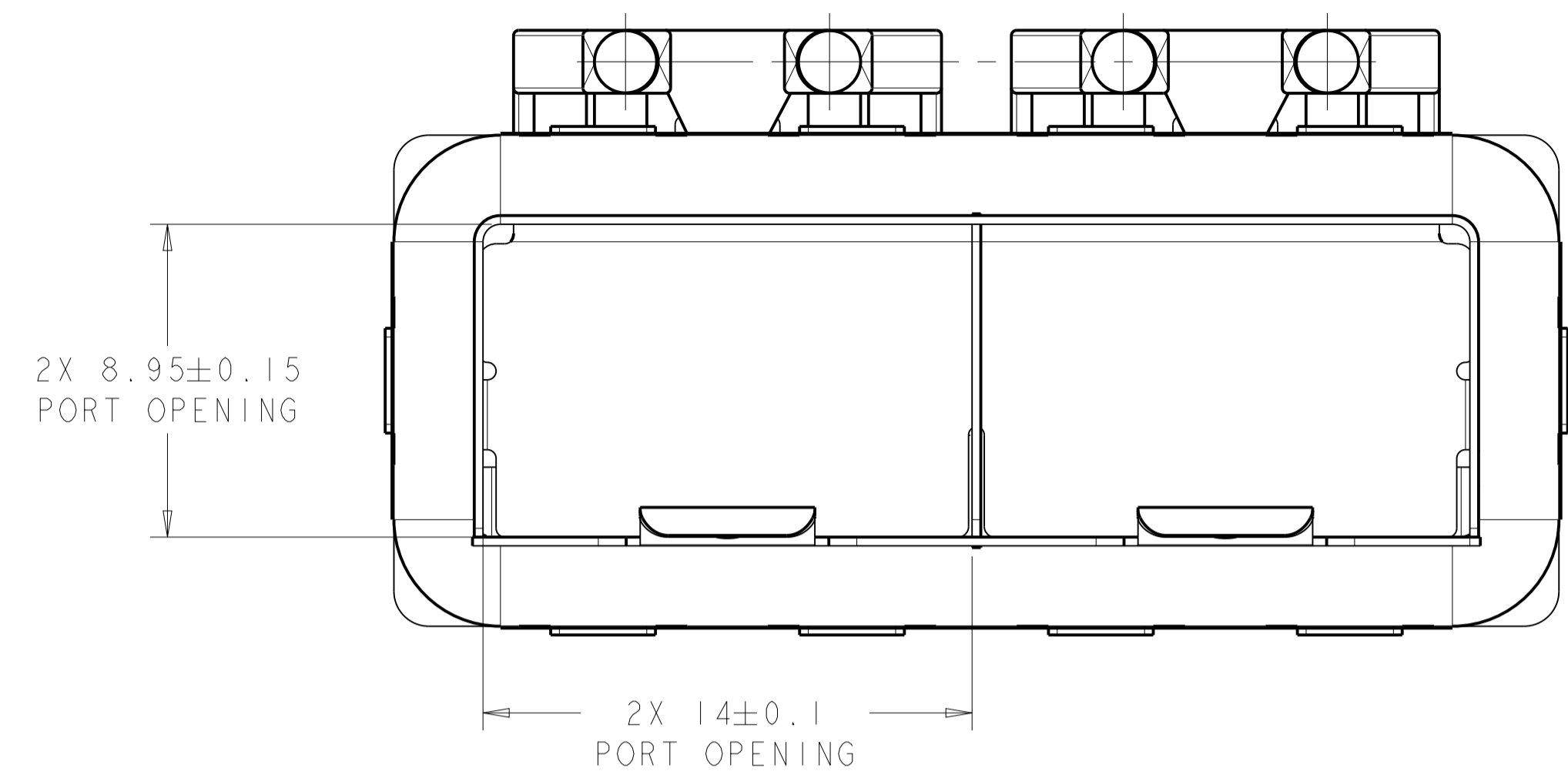
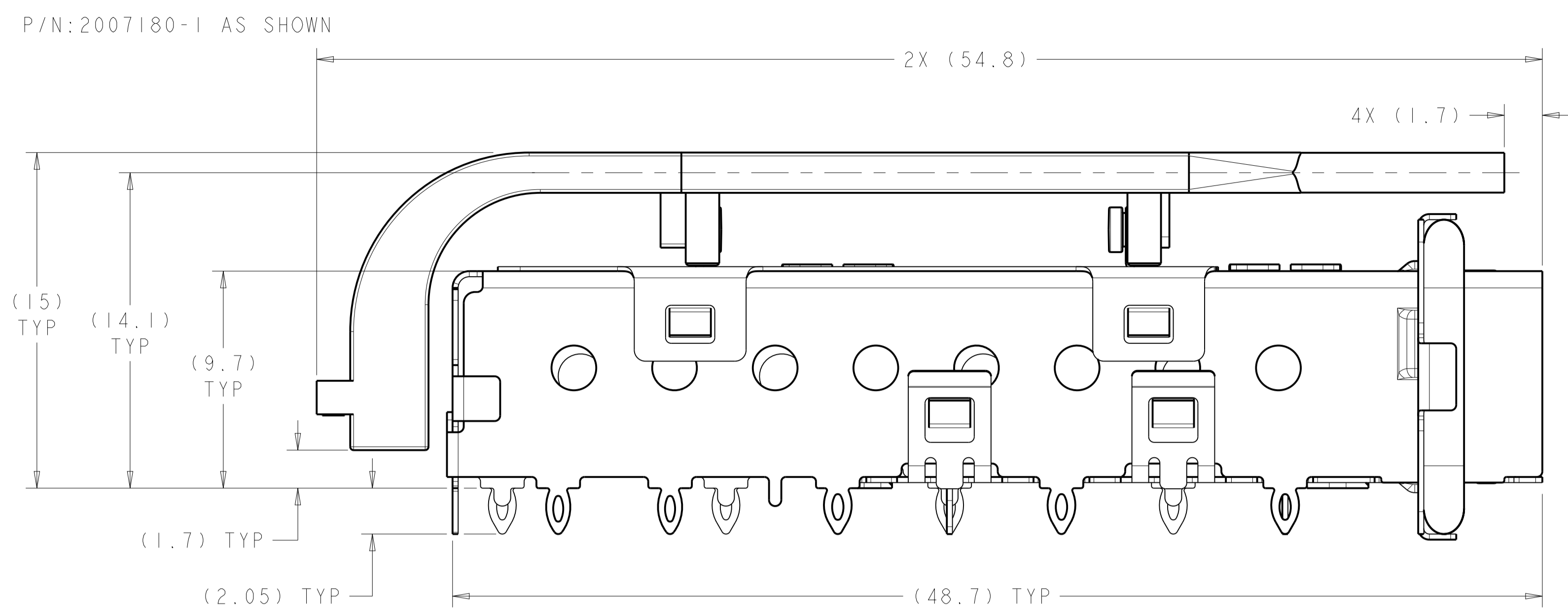
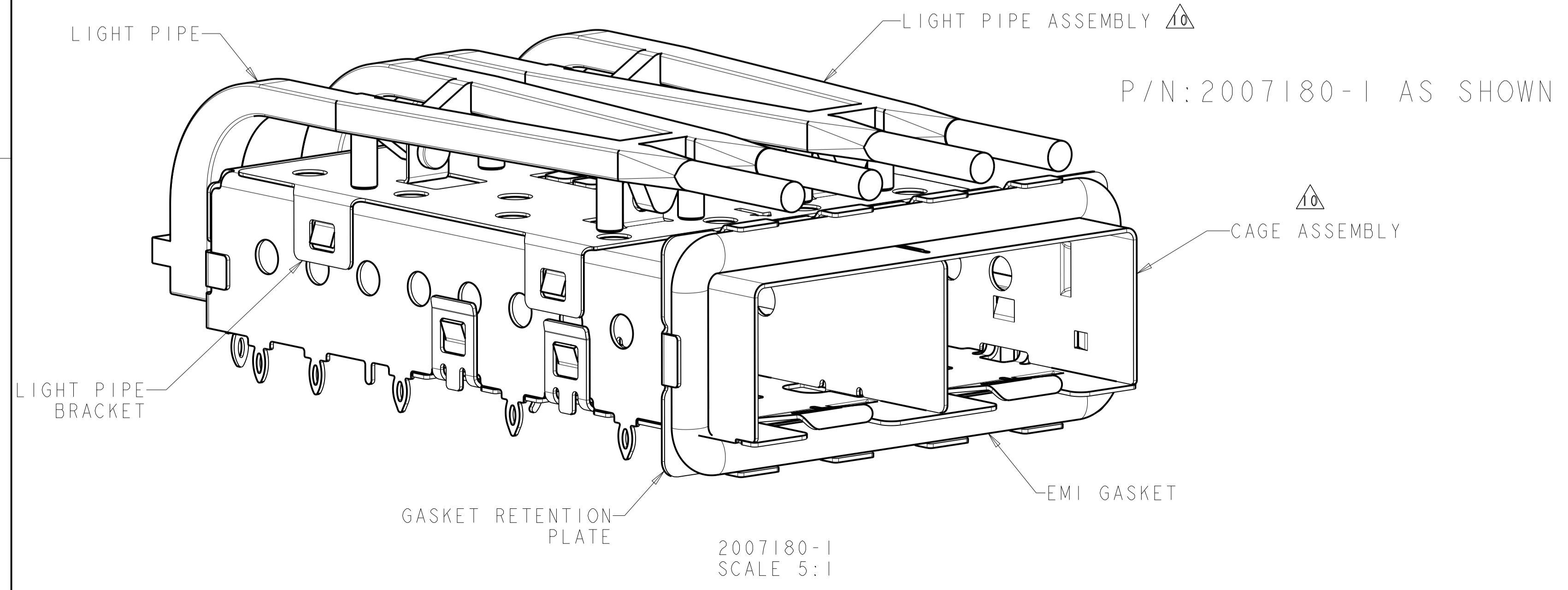


LOC	DIST	REVISIONS			
P	LTN	DESCRIPTION	DATE	DWN	APVD
C1		REVISED PER ECO-11-004835	11MAR2011	RK	HMR
D		REVISED PER ECO-12-014021	07DEC2012	TD	AC
D1		ADD REDUCED LENGTH TYPE LIGHT PIPE	17MAR2014	PP	SH



- △ MATERIAL:
CAGE ASSEMBLY - 0.25mm THICK NICKEL SILVER ALLOY
GASKET RETENTION PLATE - STAINLESS STEEL
EMI GASKET - PLATED FILLED SILICONE
LIGHT PIPE BRACKET - STAINLESS STEEL
LIGHT PIPE - POLYCARBONATE, CLEAR
- △ DATUM AND BASIC DIMENSION ESTABLISHED BY CUSTOMER.
- 3. MATES WITH SFP MSA COMPLIANT TRANSCEIVERS.
- △ PADS AND VIAS CHASSIS GROUND.
- 5. INTERPRETATION OF DATUM REFERENCE FRAME IN ACCORDANCE WITH SECT 4.4.1.1 OF ASME Y14.5M-1994.
- △ MINIMUM PC BOARD THICKNESS = 1.50mm.
- △ HOLE PATTERN REPEATS FOR EACH PORT. SPACING BETWEEN PORTS IS 14.25mm.
- △ REFERENCE APPLICATION SPEC. 114-13120, HOLE A, FOR RECOMMENDED DRILL HOLE DIAMETER AND PLATING THICKNESS.
- △ REFERENCE APPLICATION SPEC. 114-13120, HOLE B, FOR RECOMMENDED DRILL HOLE DIAMETER AND PLATING THICKNESS.
- △ LIGHT PIPE ASSEMBLY SHIPPED UNASSEMBLED TO CAGE ASSEMBLY. CAGE ASSEMBLY TO BE PRESSED INTO THE PCB PRIOR TO ATTACHING THE LIGHT PIPE ASSEMBLY TO THE CAGE.
- 11. PRODUCT COMPLIES WITH SPECIFICATION SFF-8433 IMPROVED PLUGGABLE FORM FACTOR FOR SFP+ GANGED CAGES.



51.30	2007180-2
53.10	2007180-1
LIGHT PIPE LENGTH	PART NUMBER

THIS DRAWING IS A CONTROLLED DOCUMENT.

DMN: M.E. COWHER 14JUN2007
CHK: M.J. PHILLIPS 14JUN2007
APVD: M.J. PHILLIPS 14JUN2007

TE Connectivity

SFP+ 1X2 CAGE ASSEMBLY
PRESS FIT, EMI GASKET
WITH LIGHT PIPES

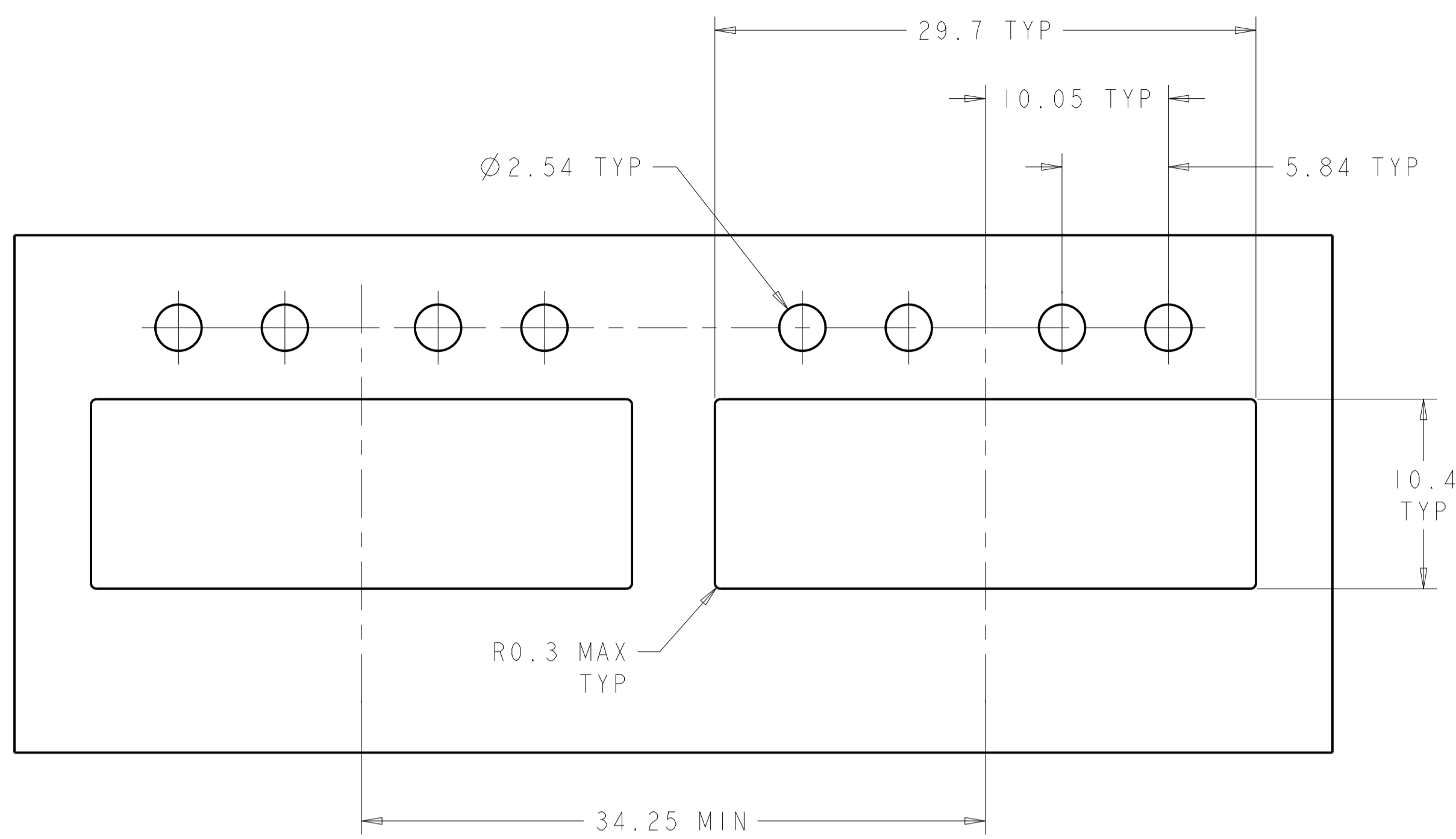
108-2364
114-13120

Customer Drawing

SCALE: 6:1 SHEET 1 OF 3 REV: D1

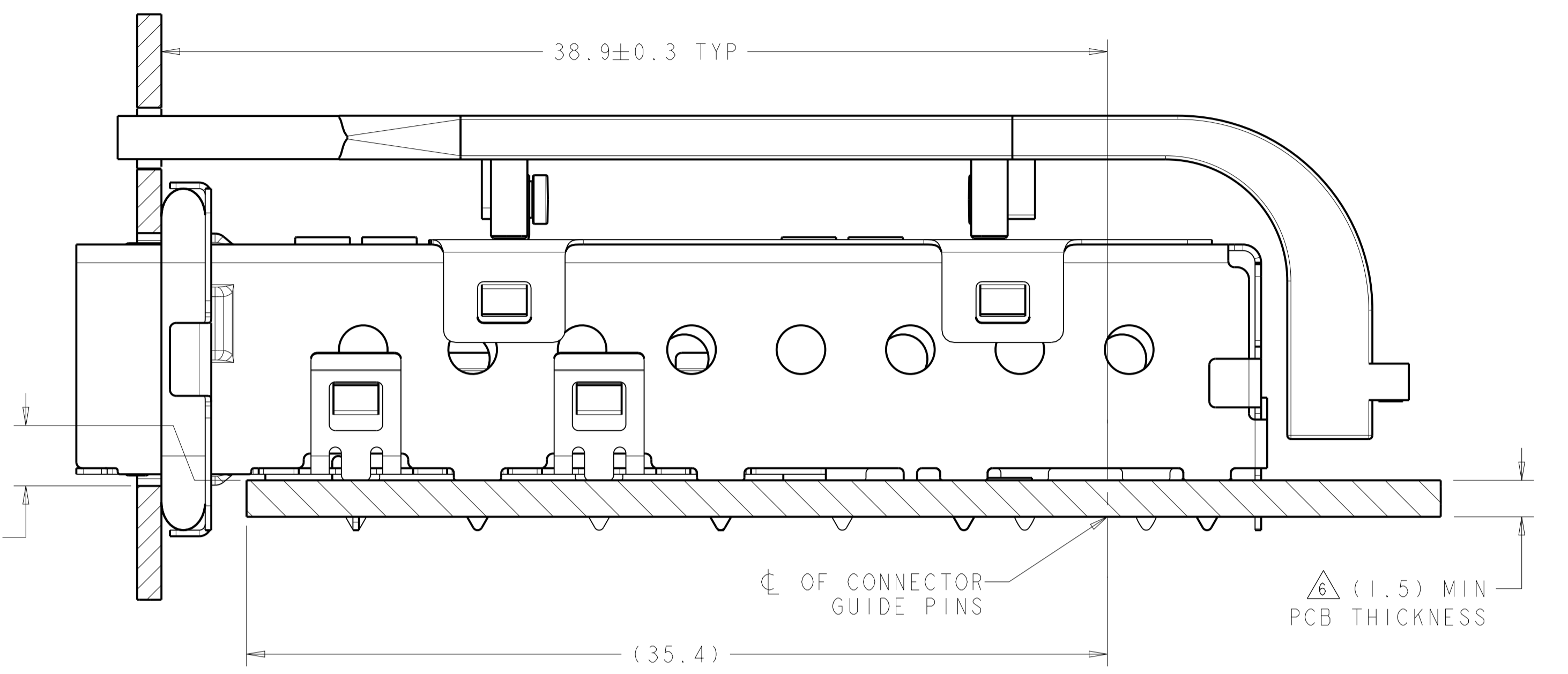
LOC	DIST	REV	DATE	BY	APPV
GP	00				

REVISIONS					
REV	DATE	BY	APPV	DESCRIPTION	DATE
-	-	-	-	SEE SHEET 1	-

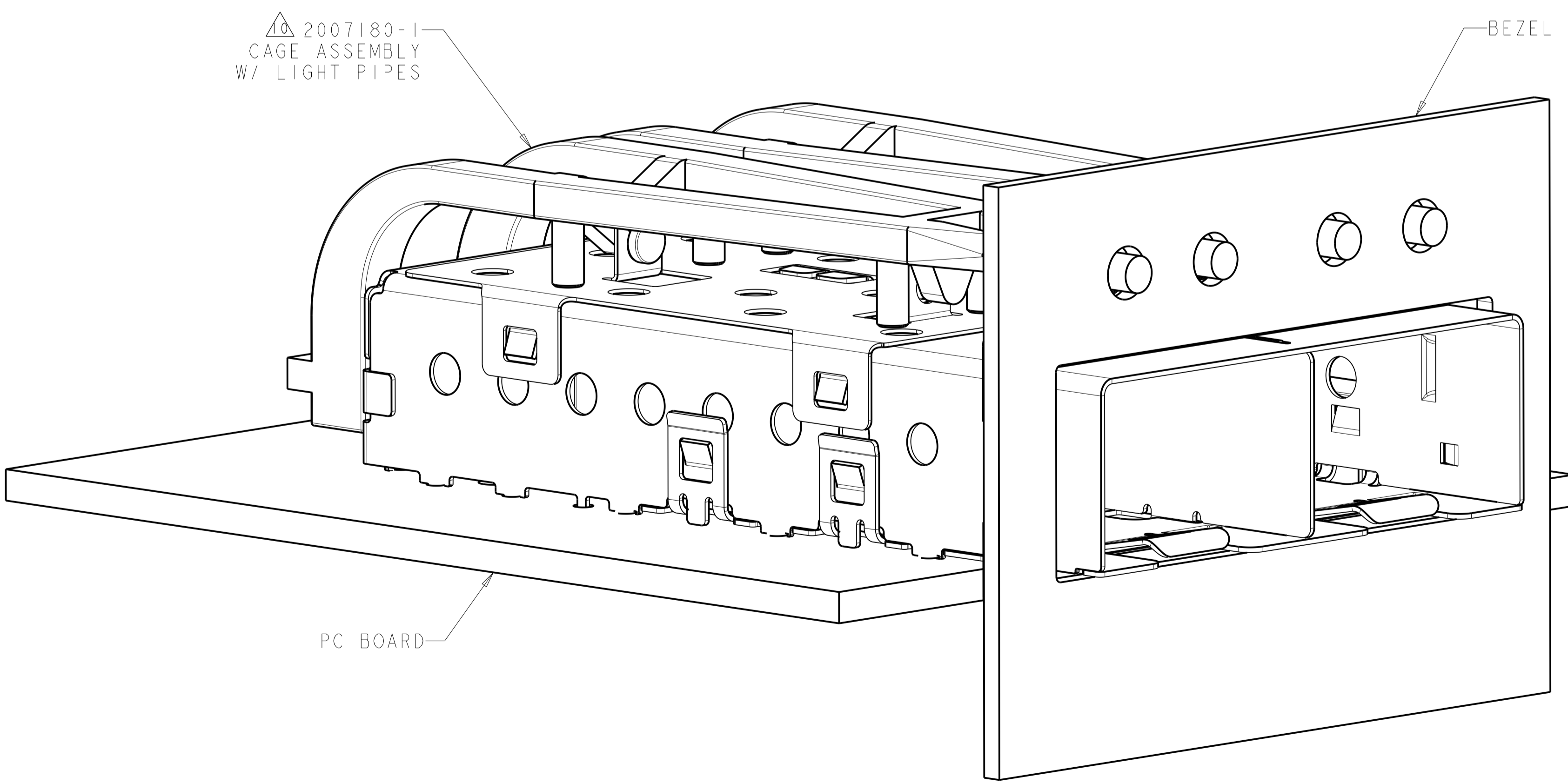


RECOMMENDED BEZEL CUTOUT
SCALE 4:1

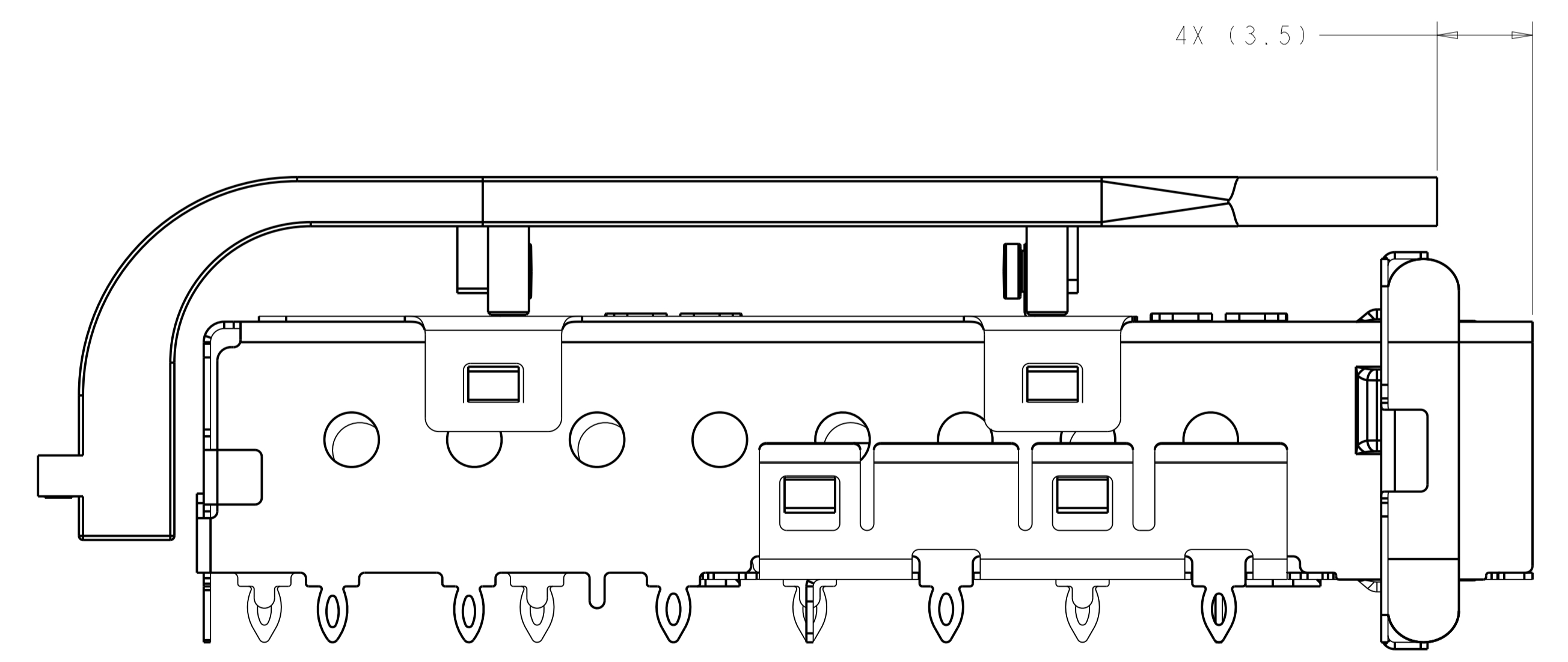
0.23^{+0.10}_{-0.14}
TOP OF PCB
TO INSIDE OF
BEZEL CUT-OUT



2007180-1
MOUNTED ON PCB SHOWN
THRU RECOMMENDED BEZEL



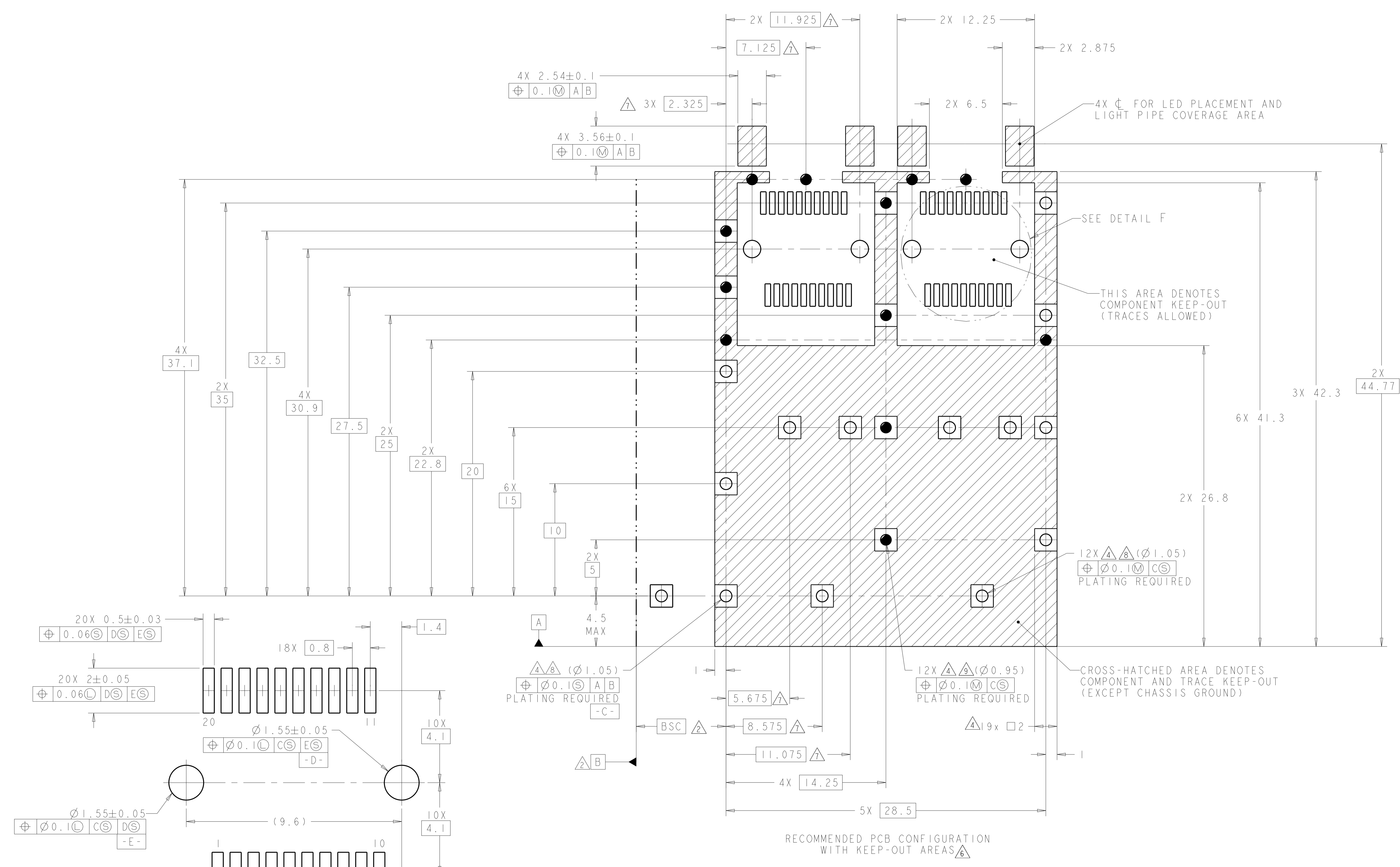
2007180-1
MOUNTED ON PCB
SHOWN THRU RECOMMENDED BEZEL



P/N: 2007180-2 AS SHOWN
UNSPECIFIED DIMENSIONS REFER TO PN 2007180-1

THIS DRAWING IS A CONTROLLED DOCUMENT.		OWN: M. E. COWHER 14JUN2007	TE Connectivity
DIMENSIONS: mm		CHK: M. J. PHILLIPS 14JUN2007	
		APVD: M. J. PHILLIPS 14JUN2007	NAME: SFP+ 1X2 CAGE ASSEMBLY PRESS FIT, EMI GASKET WITH LIGHT PIPES
TOLERANCES UNLESS OTHERWISE SPECIFIED:		PRODUCT SPEC: 108-2364	SIZE: A1
0 PLC ±0.1		APPLICATION SPEC: 114-13120	CAGE CODE: 2007180
1 PLC ±0.1		WEIGHT: -	RESTRICTED TO: -
2 PLC ±0.1		Customer Drawing	SCALE: 6:1
3 PLC ±0.1			SHEET: 2 OF 3
4 PLC ±0.1			REV: D1
ANGLES ±1°			
FINISH: -			

LOC	DIST	REV	DATE	APPV	REVISIONS
GP	00				
		-			SEE SHEET 1



4X \varnothing FOR LED PLACEMENT AND LIGHT PIPE COVERAGE AREA

SEE DETAIL F

THIS AREA DENOTES COMPONENT KEEP-OUT (TRACES ALLOWED)

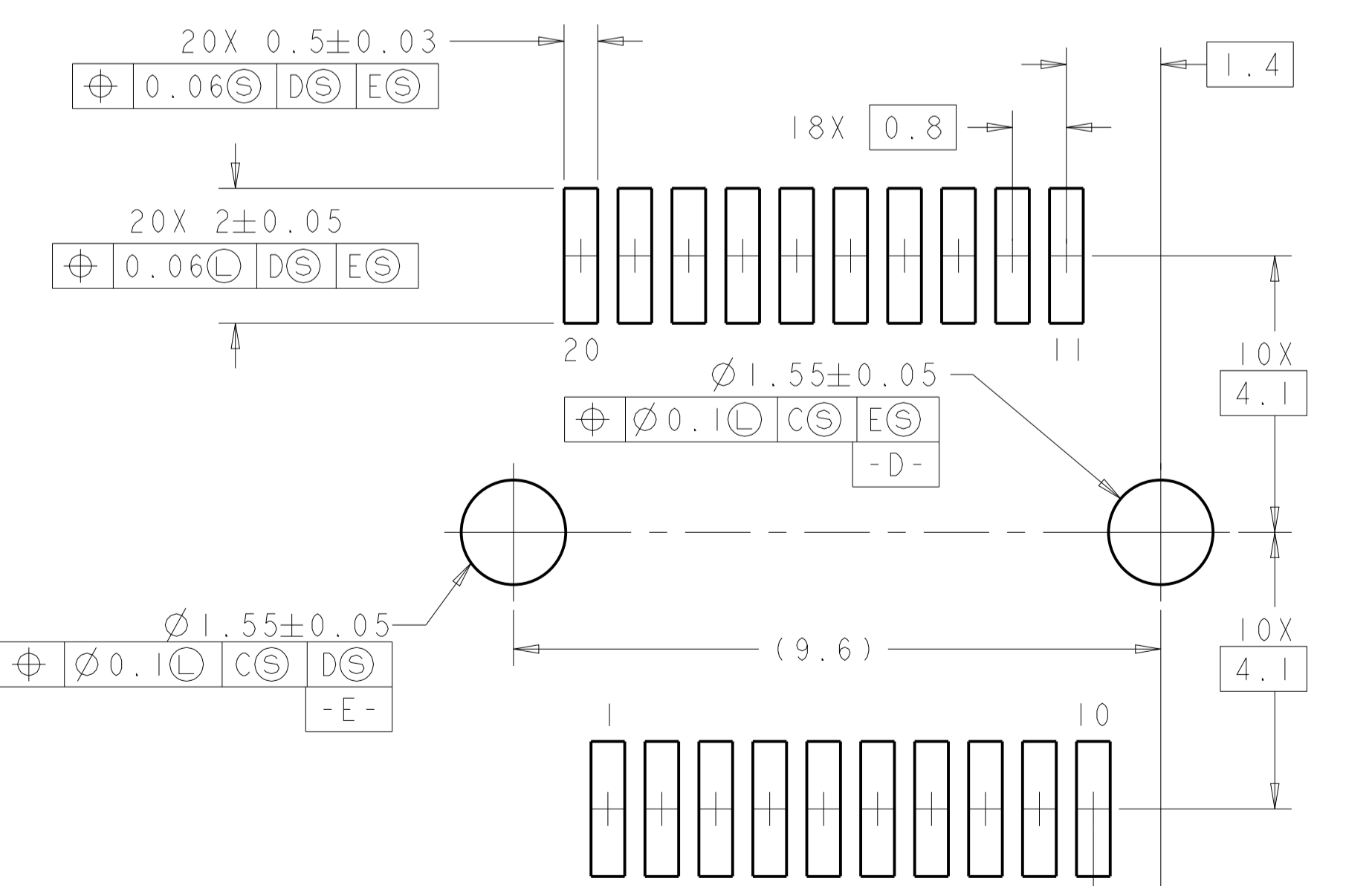
12X 4/8 ($\varnothing 1.05$) $\varnothing 0.10$ CS PLATING REQUIRED

CROSS-HATCHED AREA DENOTES COMPONENT AND TRACE KEEP-OUT (EXCEPT CHASSIS GROUND)

4/8 ($\varnothing 1.05$) $\varnothing 0.10$ AB PLATING REQUIRED -C-

12X 4/9 ($\varnothing 0.95$) $\varnothing 0.10$ CS PLATING REQUIRED

RECOMMENDED PCB CONFIGURATION WITH KEEP-OUT AREAS



DETAIL F
RECOMMENDED PT CONNECTOR LAYOUT
2X INDIVIDUALLY
SCALE 12:1

DIMENSIONS:		TOLERANCES UNLESS OTHERWISE SPECIFIED:		MATERIAL:		FINISH:		WEIGHT:		APPLICATOR:	
mm		0 PLC	±0.1								
		1 PLC	±0.1								
		2 PLC	±0.1								
		3 PLC	±0.1								
		4 PLC	±0.1								
		ANGLES	±0.1								
			±1°								

THIS DRAWING IS A CONTROLLED DOCUMENT.	OWN: M. E. COWHER 14 JUN 2007	STE TE Connectivity		
	CHK: M. J. PHILLIPS 14 JUN 2007			
	APV: M. J. PHILLIPS 14 JUN 2007			
	NAME: SFP+ 1X2 CAGE ASSEMBLY PRESS FIT, EMI GASKET WITH LIGHT PIPES			
	PRODUCT SPEC: 108-2364			
	APPLICATION SPEC: 114-13120			
	SIZE: A	CAGE CODE: 100779	DRAWING NO: 2007180	RESTRICTED TO: -
	MATERIAL:	WEIGHT:	SCALE: 6:1	SHEET: 3 OF 3
	Customer Drawing			REV: D