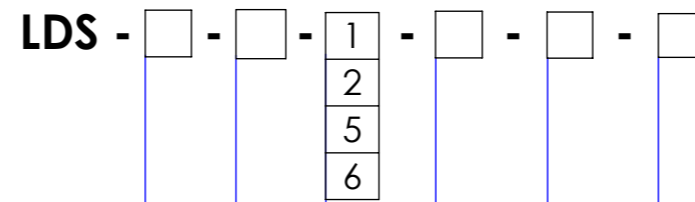


Part Number Tree



Material

- 3 Glass Filled Nylon 6.6
- 8 Glass Filled Polyprpylene

Switch Option

09 SPST MAX 100VDC, 250VRMS, 1AMP, 70 WATT

Fitting Option

1 Internal M16

Cable Option

- 1 0.5m Single Insulated PVC 18 AWG
- 2 2.0m Single Insulated PVC 18 AWG
- 3 5.0m Single Insulated PVC 18 AWG
- 4 0.5M Double Insulated PVC 18 AWG
- 5 2.0M Double Insulated PVC 18 AWG

SEALING MATERIAL

- "BLANK" Silicone
- N Nitrile
- E EPDM
- V Viton

Termination

"BLANK" Stripped cable

Unless otherwise specified tolerances are	
Cable Lengths	
Cable Lengths	Tolerance
100 - 200 mm	+/-5
500 mm	+/-10
1000 mm	+/-20
2000 mm	+/-50
5000 mm	+/-100
General Tolerances	
Dimension	Tolerances
<20 mm	+/-0.25
20 - 50 mm	+/-0.50
50 - 100 mm	+/-0.75
100 - 150 mm	+/-1.00
Angles	+/-0.5 Deg

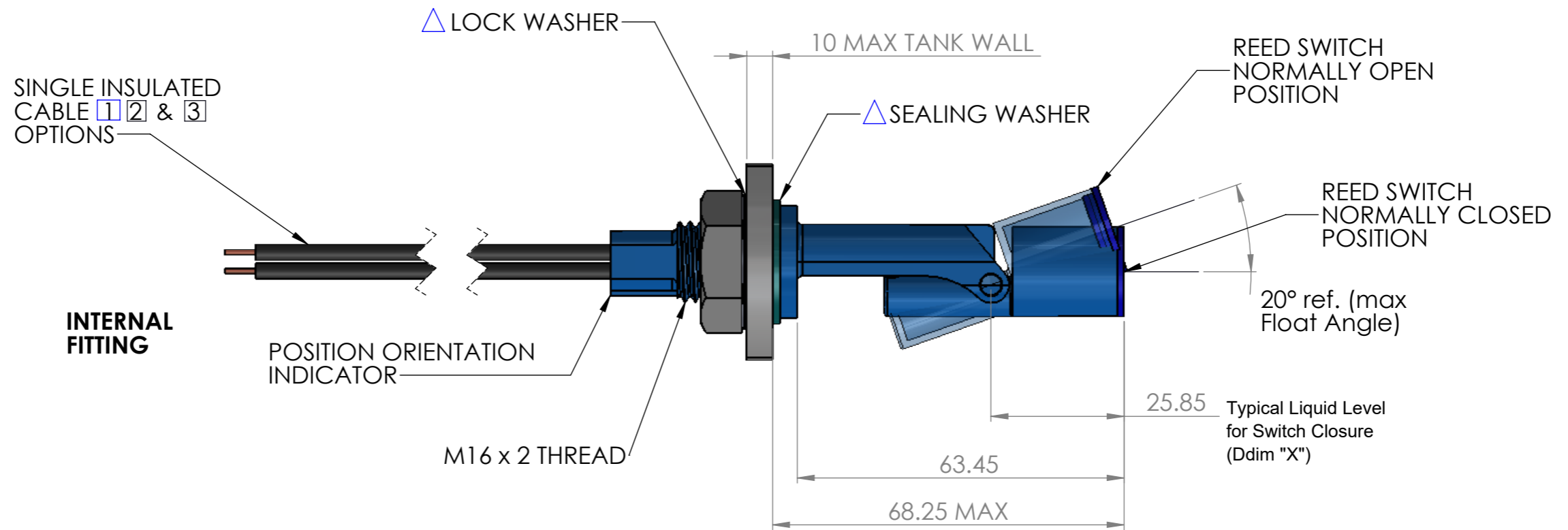
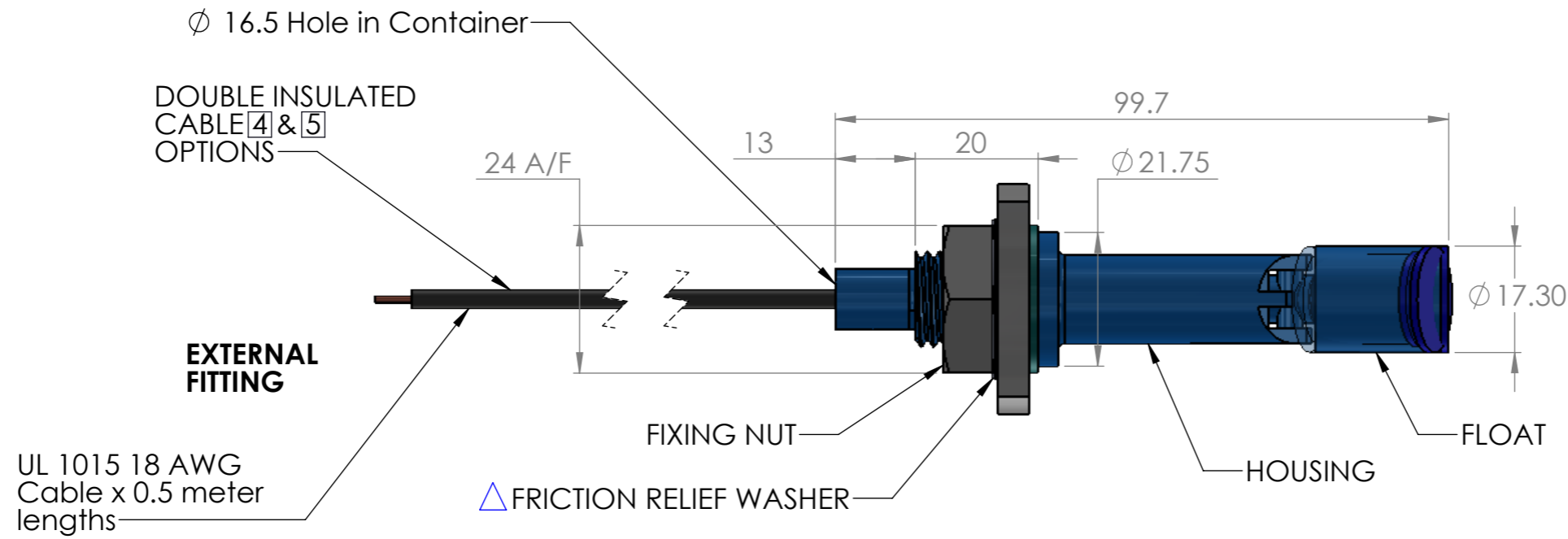
SERIES	TCPN
LDS309-11N	20017612-31

THIS INFORMATION IS CONFIDENTIAL AND PROPRIETARY TO TYCO ELECTRONICS CORPORATION AND ITS WORLDWIDE SUBSIDIARIES AND AFFILIATES (TE). IT MAY NOT BE DISCLOSED TO ANYONE, OTHER THAN TE PERSONNEL, WITHOUT AUTHORIZATION FROM TE (www.TE.com).

DIMENSIONS: mm	TOLERANCES UNLESS OTHERWISE SPECIFIED:
	0 PLC - 1 PLC +0.5 2 PLC +0.13 3 PLC +0.013 4 PLC +0.0001
ANGLES ±	
SURFACE TEXTURE	

DWN D Arellano	MATERIAL	WEIGHT kg
CHK R Cooper		
APVD J Pendleton		
NAME LDS M16 TOP LEVEL CATALOG DWG		
SCALE 1:1	SIZE A3	DRAWING NO 20017612-00
SHEET 1 OF 2		REV A

FITTING OPTIONS 5 & 6 CONTAIN ALL PARTS MARKED '△'



THIS INFORMATION IS CONFIDENTIAL AND PROPRIETARY TO TYCO ELECTRONICS CORPORATION AND ITS WORLDWIDE SUBSIDIARIES AND AFFILIATES (TE). IT MAY NOT BE DISCLOSED TO ANYONE, OTHER THAN TE PERSONNEL, WITHOUT AUTHORIZATION FROM TE (www.TE.com).

DIMENSIONS:		TOLERANCES UNLESS OTHERWISE SPECIFIED:	
mm		0 PLC	±
		1 PLC	±0.5
		2 PLC	±0.13
		3 PLC	±0.013
ANGLES ±		4 PLC	±0.0001
SURFACE TEXTURE			

DWN	D Arellano		MATERIAL	WEIGHT	kg
CHK	R Cooper				
APVD	J Pendleton				
NAME	LDS M16 TOP LEVEL CATALOG DWG				
SCALE	1:1	SIZE	A3	DRAWING NO	20017612-00
SHEET			2	OF	2
REV			A		