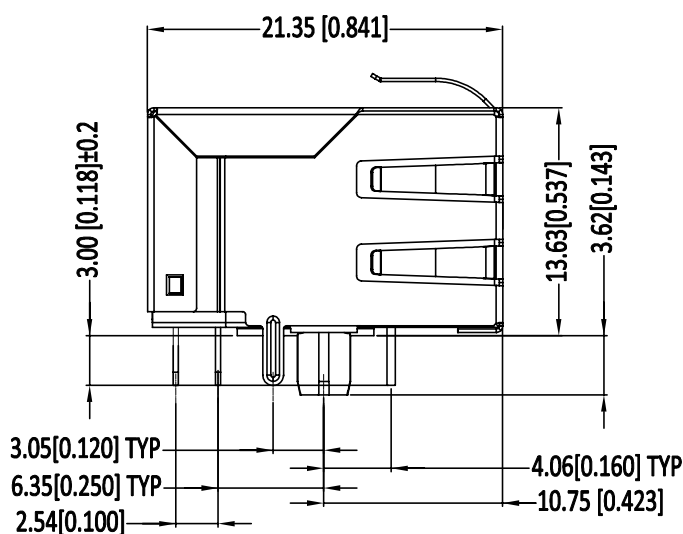
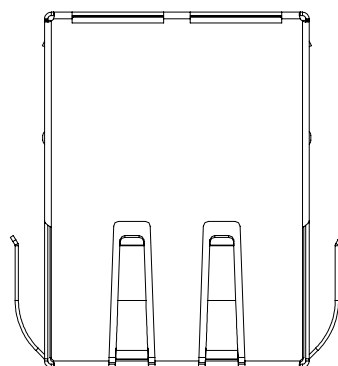
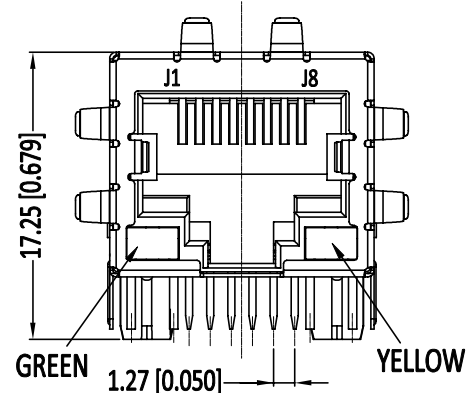
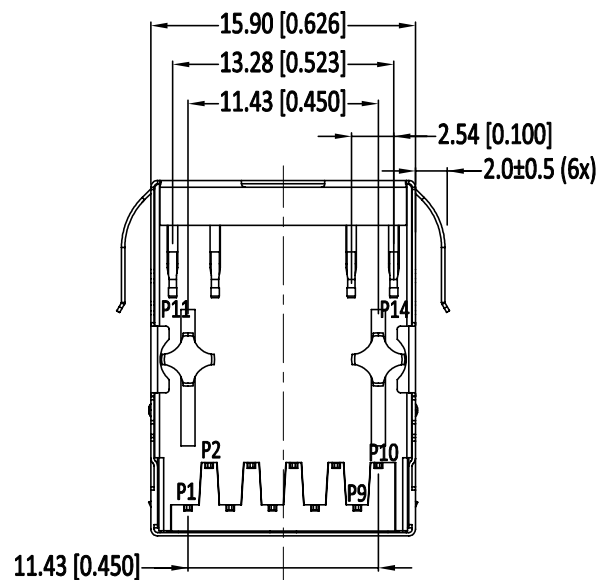
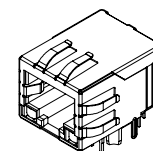


P	LTR	DESCRIPTION	DATE	DWN	APVD
	A2	RETURN LOSS SPECIFICATION CORRECTED	02JUN2021	SS	OW



- ① CONNECTOR MATERIAL:  
 HOUSING: LCP BLACK UL94 V-0  
 INSERT: LCP BLACK UL94 V-0  
 SHIELD: BRASS  
 SHIELD PLATING: NICKEL  
 CONTACT: COPPER ALLOY  
 CONTACT PLATING: SELECTIVE GOLD, MIN. 0.76µm (30µinch) IN CONTACT AREA  
 OVER MIN. 1.27µm (50µinch) NICKEL  
 SOLDER PIN PLATING: 3.05µm (120µinch) TIN OVER 1.27µm (50µinch) NICKEL  
 OVER ALL  
 SHIELDING PIN PLATING: NICKEL
- 2 PIN NOT ELECTRICALLY CONNECTED MAYBE OMITTED SEE ELECTRICAL CIRCUIT DIAGRAM FOR OMITTED PINS
- 3 RJ45 CAVITY DIMENSION CONFORM TO FCC PART 68
- 4 THE PART IS RECOMMENDED FOR REFLOW SOLDERING PROCESS PEAK SOLDERING: TEMPERATURE MAX. +260°C, MAX. 10s
- 5 OPERATING TEMPERATURE: T= -40°C TO +85°C
- 6 STORAGE TEMPERATURE: T= -40°C TO +85°C
- ⑦ UNLESS OTHERWISE SPECIFIED, SEE TABLE FOR ALL DIMENSIONS TOLERANCES
- 8 JACK CONFIGURATION: 1 x 1  
 TAB DIRECTION: DOWN
- ⑨ AUTOMATED PLACEMENT: FOR FORCE-FREE ASSEMBLY WITHOUT THE ALIGNMENT FUNCTION WIDEN TO MIN. 3.40 mm DIAMETER
- 10 PACKAGING: REEL (T+R) ACCORDING TO PACKAGING SPECIFICATION 107-18116



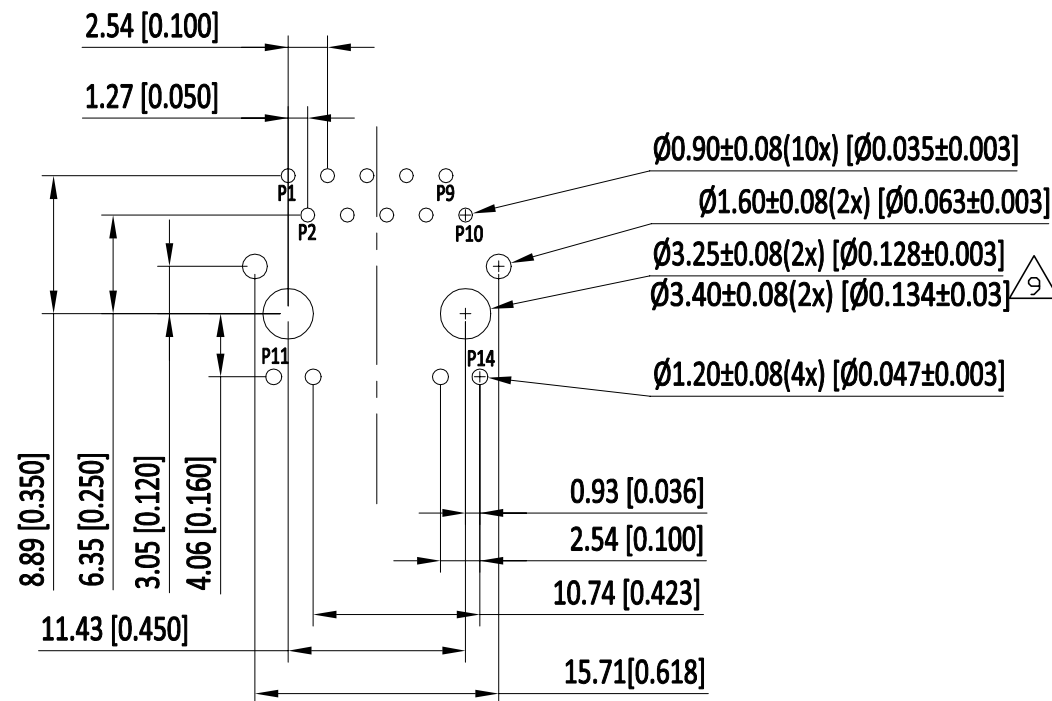
1:1

TABLE OF TOLERANCE (mm)	
RANGE	TOLERANCE
0-10	±0.15
>10-40	±0.25
>40-70	±0.30
>70	±0.40

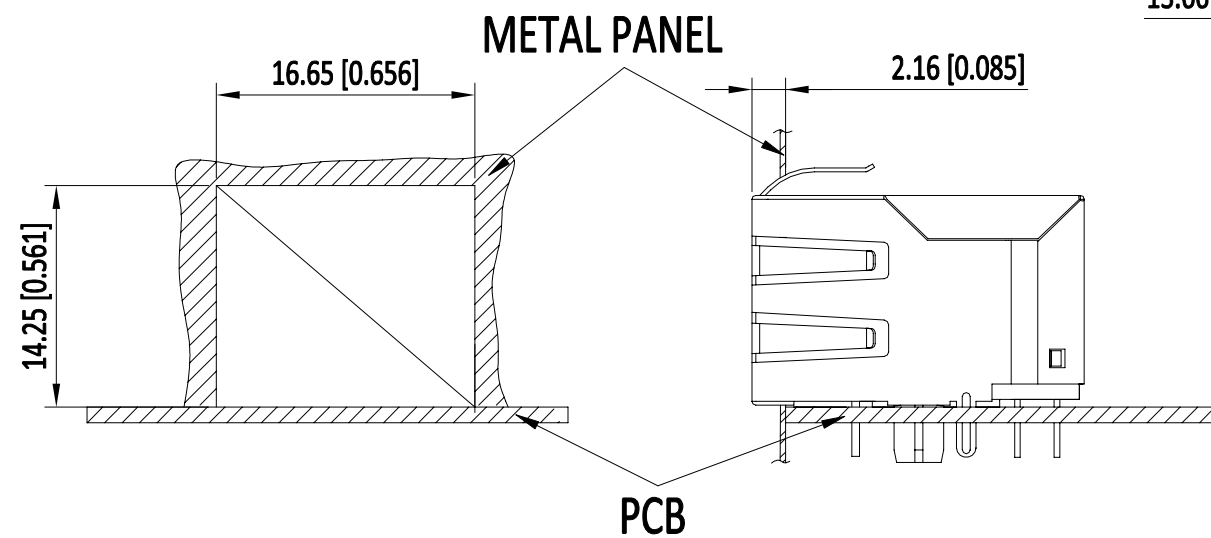
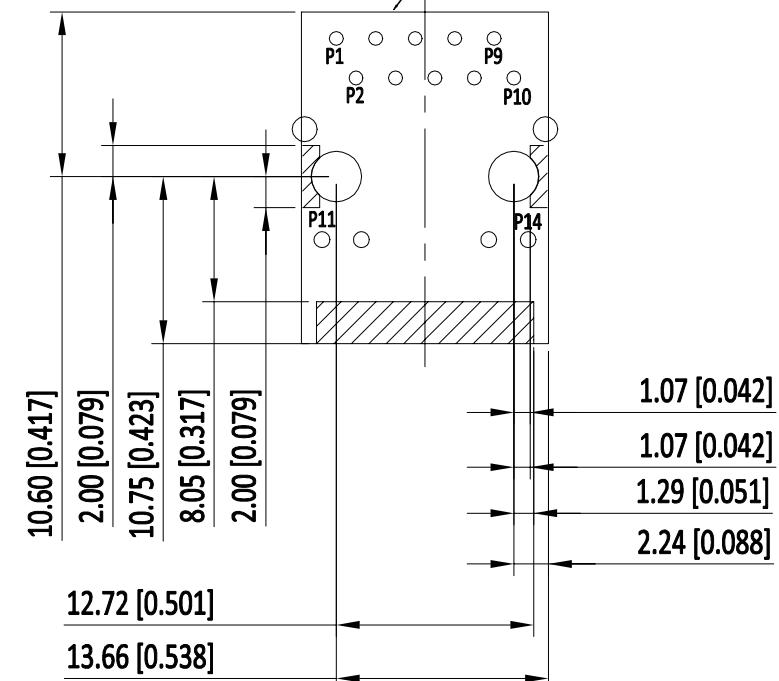
THIS DRAWING IS A CONTROLLED DOCUMENT.		DWN GANESH C M 27AUG2016	TE Connectivity Ltd.	
		CHK FRANZ MUELLER 27AUG2016		
		APVD MARTIN SZELAG 27AUG2016	NAME RJ45 JACK INT.MAG. 1Gb LED 1x1	
DIMENSIONS: mm [INCHES]		PRODUCT SPEC 108-94552		SIZE A3
		APPLICATION SPEC 114-94447		
MATERIAL ①		WEIGHT -		CAGE CODE 00779
TOLERANCES UNLESS OTHERWISE SPECIFIED: 0 PLC ± - 1 PLC ± - 2 PLC ± - 3 PLC ± - 4 PLC ± - ANGLES ± - FINISH ①		DRAWING NO C=2-2301994-3		RESTRICTED TO -
		CUSTOMER DRAWING		SCALE 3:1
				SHEET 1 of 3
				REV A2

P	LTR	DESCRIPTION	DATE	DWN	APVD
-	-	SEE SHEET 1	-	-	-

SUGGESTED PCB LAYOUT



CONNECTOR BOUNDARY

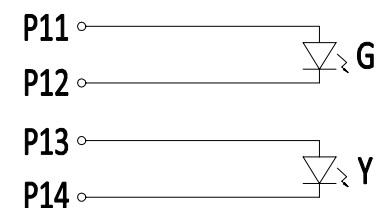
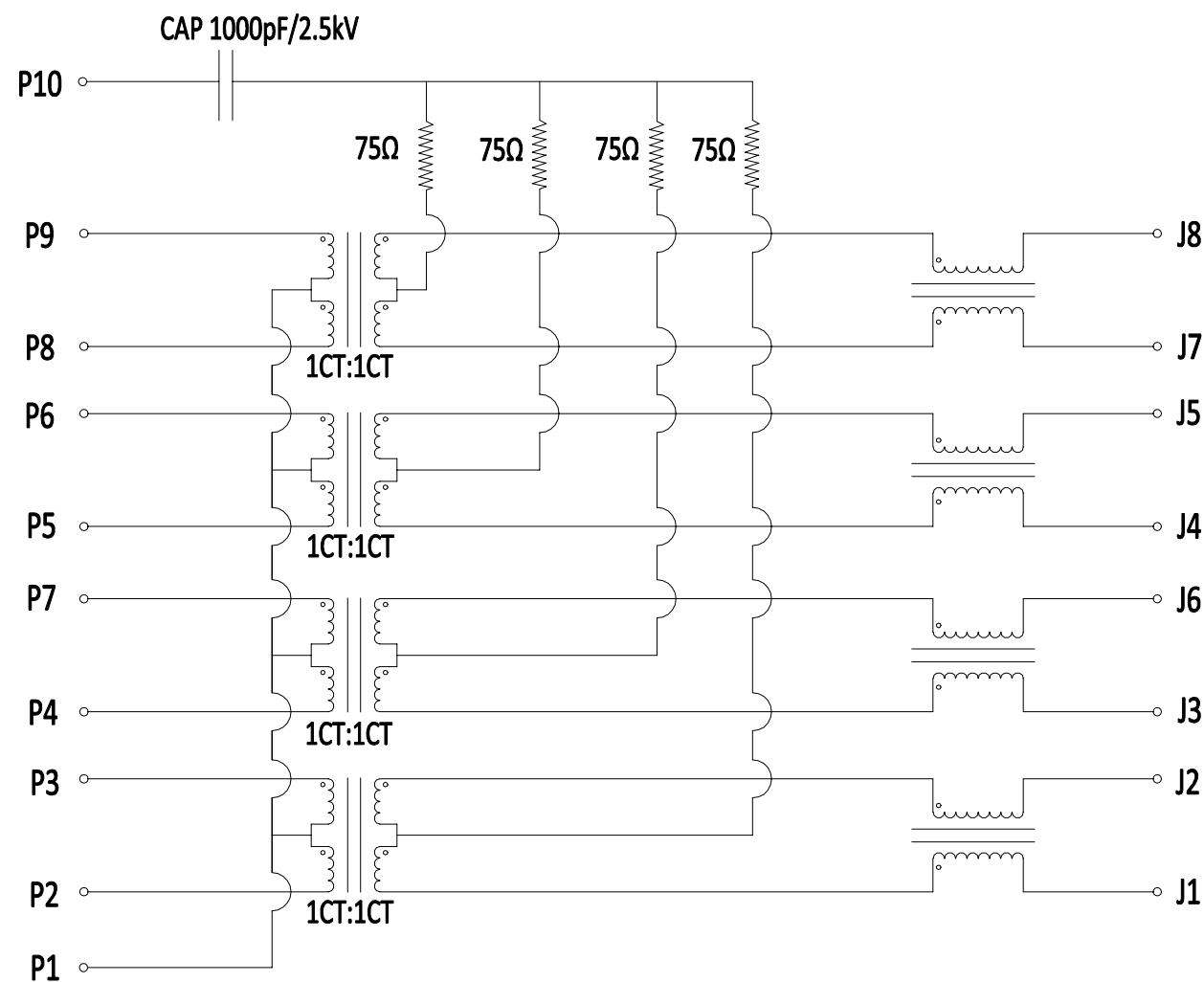


UNIT: mm / inch  
 TOLERANCES:  $\pm 0.10 / 0.004$   
 ONLY FOR THIS VIEW

THIS DRAWING IS A CONTROLLED DOCUMENT.		DWN GANESH C M 27AUG2016	TE Connectivity Ltd.	
		CHK FRANZ MUELLER 27AUG2016		
		APVD MARTIN SZELAG 27AUG2016	NAME RJ45 JACK INT.MAG. 1Gb LED 1x1	
DIMENSIONS: mm [INCHES]		TOLERANCES UNLESS OTHERWISE SPECIFIED:		PRODUCT SPEC 108-94552
		0 PLC $\pm -$ 1 PLC $\pm -$ 2 PLC $\pm -$ 3 PLC $\pm -$ 4 PLC $\pm -$ ANGLES $\pm -$		APPLICATION SPEC 114-94447
MATERIAL 1		FINISH 1		WEIGHT -
CUSTOMER DRAWING			SIZE A3	RESTRICTED TO -
			CAGE CODE 00779	DRAWING NO C=2-2301994-3
			SCALE 3:1	SHEET 2 of 3
			REV A2	

P	LTR	DESCRIPTION	DATE	DWN	APVD
-	-	SEE SHEET 1	-	-	-

### ELECTRICAL CIRCUIT DIAGRAM



Pin	Green	Yellow	
P11	+	P13	+
P12	-	P14	-

VF = 2.2 V (max. 2.5 V) @IF = 20 mA

1. TURN RATIO @100kHz: (P2~P3):(J1~J2) = 1:1±2%  
(P4~P7):(J3~J6) = 1:1±2%  
(P5~P6):(J4~J5) = 1:1±2%  
(P8~P9):(J7~J8) = 1:1±2%
2. PRIMARY INDUCTANCE: 350μH MIN. @100kHz,0.1V 8mA DC BIAS
3. DC RESISTANCE: 1.2 OHMS MAX.
4. INSERTION LOSS: 1-100MHz -1.0dB MAX.  
100-125MHz -1.2dB MAX.
5. RETURN LOSS: 1-40MHz -16dB MIN.  
40-100MHz -10dB+20log(f/80MHz) MIN.
6. CROSS TALK: 1-100MHz -30dB MIN.
7. COMMON TO COMMON MODE ATTENUATION: 1-100MHz -30dB MIN.
8. ISOLATION: PHY SIDE TO LINE SIDE: 2250VDC

2-2301994-3  
WWYY-xxxx

**TE**

FCC

CONTROL CODE  
DATE CODE "0213"  
YY-YEAR  
WW-WEEK

THIS DRAWING IS A CONTROLLED DOCUMENT.		DWN GANESH C M 27AUG2016	TE Connectivity Ltd.	
		CHK FRANZ MUELLER 27AUG2016		
		APVD MARTIN SZELAG 27AUG2016	NAME RJ45 JACK INT.MAG. 1Gb LED 1x1	
DIMENSIONS: mm [INCHES]		PRODUCT SPEC 108-94552		SIZE A3
		APPLICATION SPEC 114-94447		
MATERIAL 1		WEIGHT -		CAGE CODE 00779
TOLERANCES UNLESS OTHERWISE SPECIFIED: 0 PLC ± - 1 PLC ± - 2 PLC ± - 3 PLC ± - 4 PLC ± - ANGLES ± -		FINISH 1		DRAWING NO C=2-2301994-3
CUSTOMER DRAWING			RESTRICTED TO -	SCALE 3:1
			SHEET 3 OF 3	REV A2