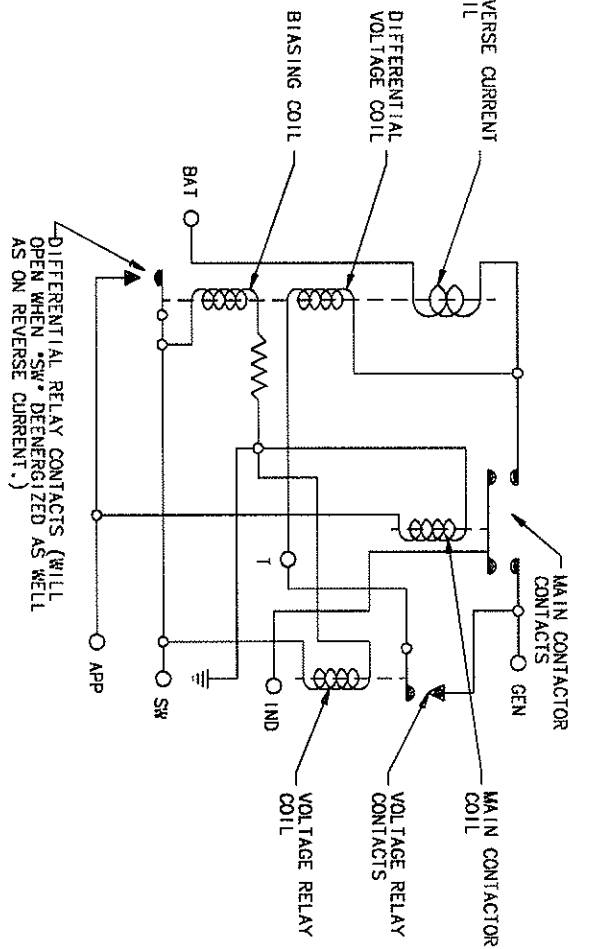
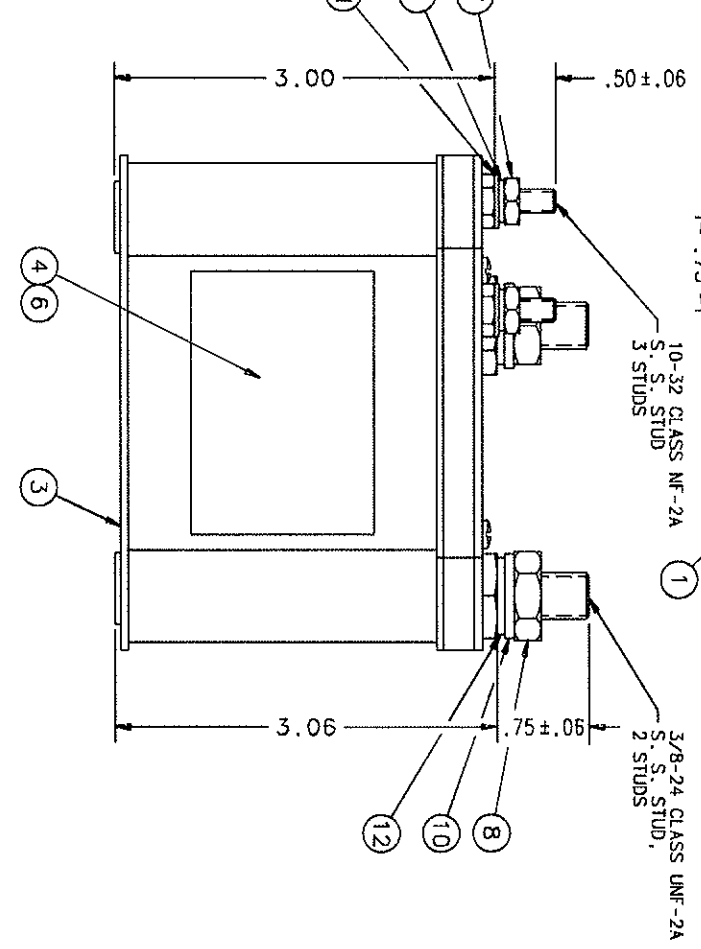
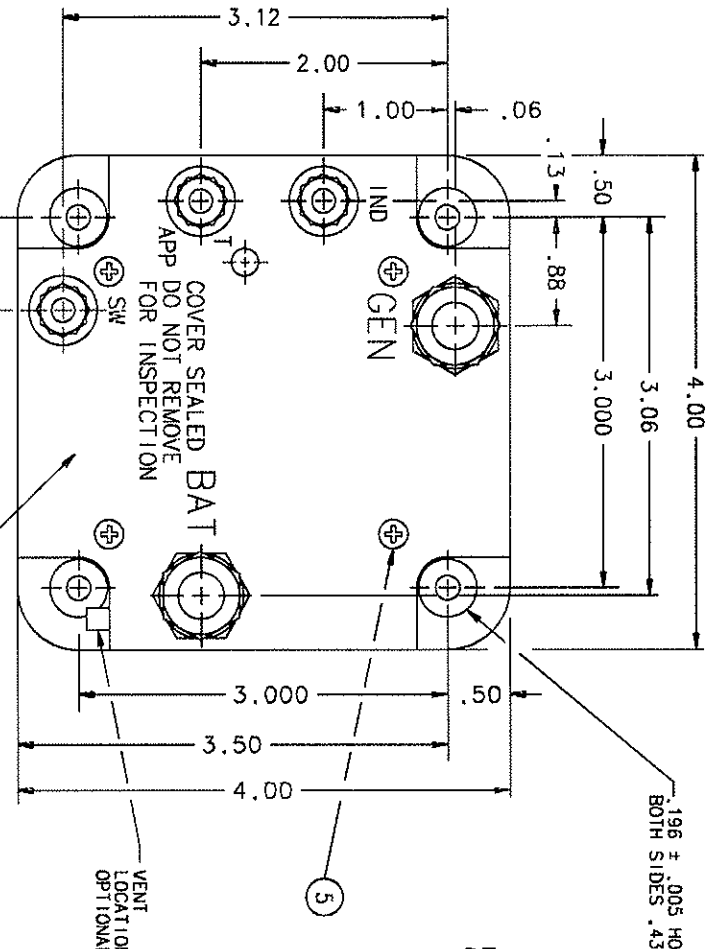


REVISIONS		RELEASED	DATE	APPROVED
R	RE-ACTIVATED		98/04/15	DM
T	37924 FIND NO. 4 PLATE NAME WAS 16043-001		98/11/13	RS
U	0739-03 ADDED 'LOCATION OPTIONAL' TO VENT CALLOUT		03/08/23	RS



NOMINAL VOLTAGE 29 V.D.C
 CURRENT RATING 100 AMPERE
 REVERSE CURRENT DROPOUT 4 - 10 AMPERE
 DIFFERENTIAL VOLTAGE PICKUP .5 ± .15 VDC
 MAXIMUM WEIGHT 2.9 LBS.

QTY	PART OR IDENTIFYING NO	NOMENCLATURE OR DESCRIPTION	FSM NO	DRAWING OR SPECIFICATION	MATERIAL OR NOTE
12	51704-161	WASHER 5/8 X .390 X .064 FLAT			ANG60 - 161 STEEL
10	51702-851	WASHER 7/16 X 13/64 X .032 FLAT			ANG60 - 10L STEEL
11	51807-071	WASHER - LOCK NO. 3/8 SPLIT			ANG35 - 616 STEEL
9	51810-031	WASHER - LOCK NO. 10 SPLIT			ANG35 - 10 STEEL
8	50407-186	NUT 3/8-24 X 5/8 X 7/32 HEX.			BRASS
8	50410-086	NUT, 10-32 X 3/8 X 1/8 HEX.			AN341 - 10 BRASS
7	39529-001	OVERLAY - NAME PLATE			S. STEEL
5	51200-020	SCREW No. 4 X 1/4 PAN HD.			
4	16043-089	PLATE - NAME			
3	1	CUTOFF ASSEM. -PRI. REV. CURRENT			
2	07822-000	PLATE - COVER, BASE INSULATING			
1	1				

UNLESS OTHERWISE SPECIFIED DIMENSIONS ARE IN INCHES TOLERANCES OR

2 PL DEC.13 PL. DEC. ANGLES	+ .06	+ .010	+ 1°
-----------------------------	-------	--------	------

DR BY CSC 03/09/09
 CHK BY CA C3129/16
 ENGR RSC 09/09/11
 MFG W 03-09-07
 SIZE CODE IDENT
 C 74063

TYCO Electronics
 14000 Northpark Drive, Dayton, OH 45424
 CUTOFF
 REVERSE CURRENT 093
 A-718AP
 REF TYCO P/N 2-1616109-0