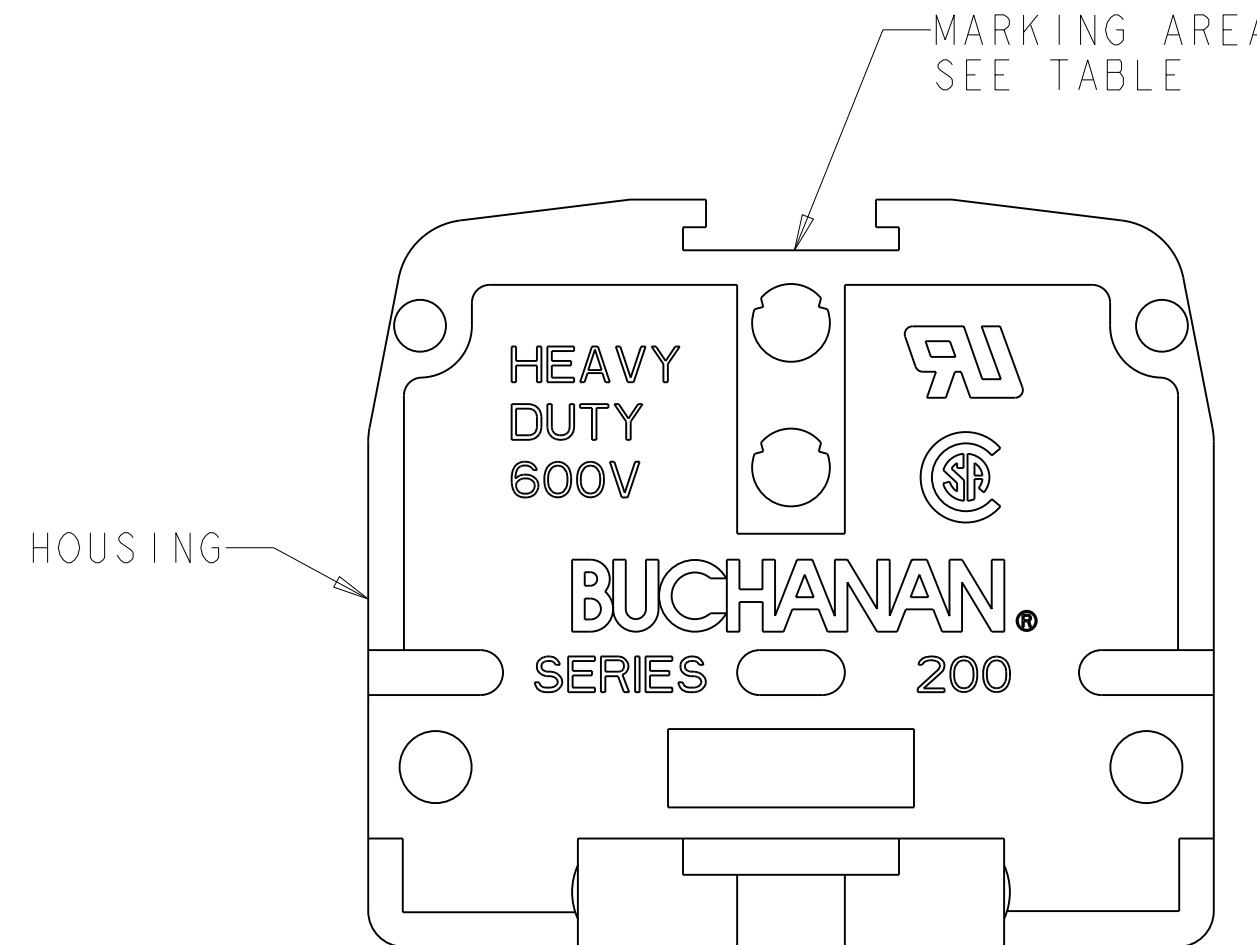
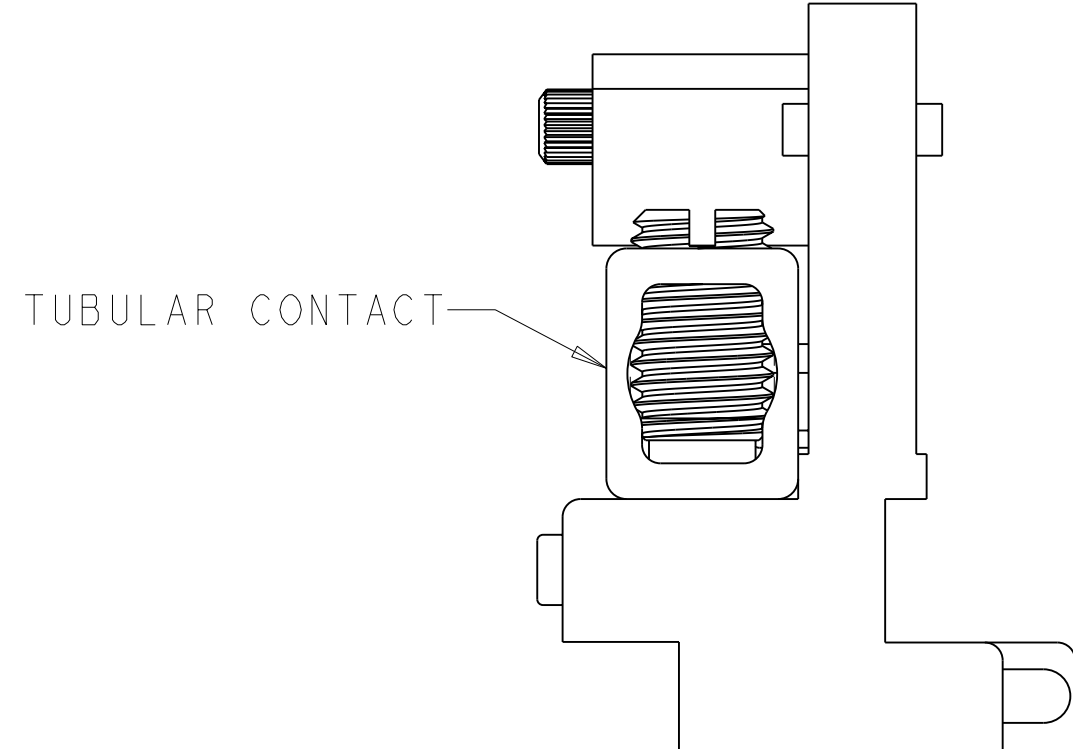
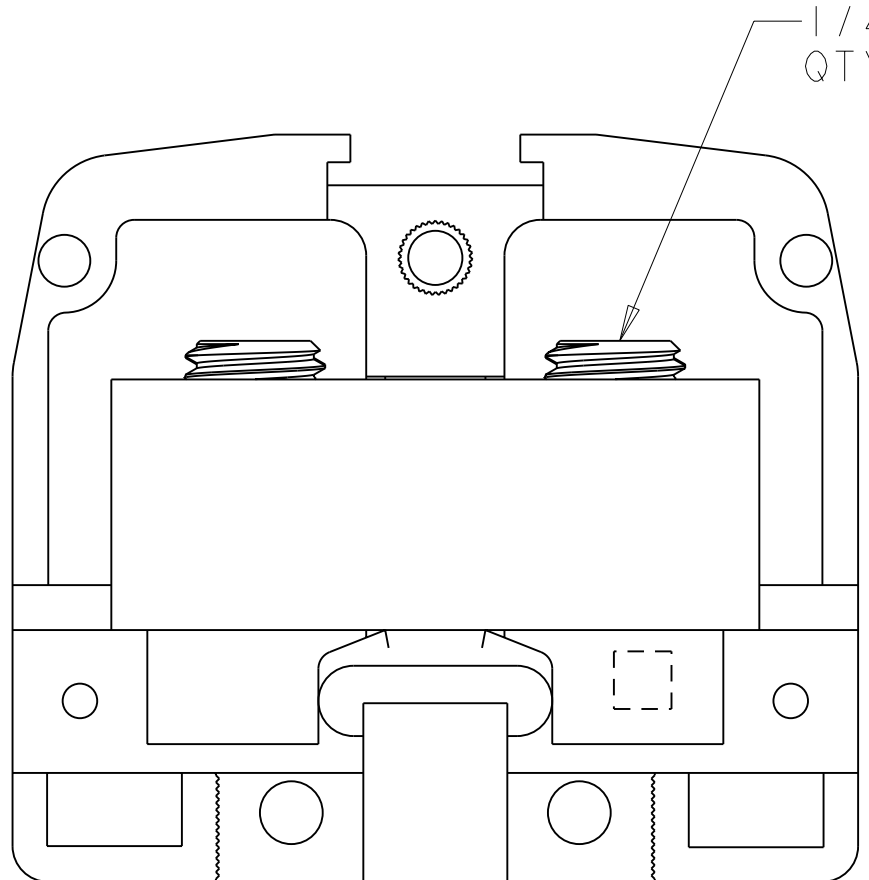
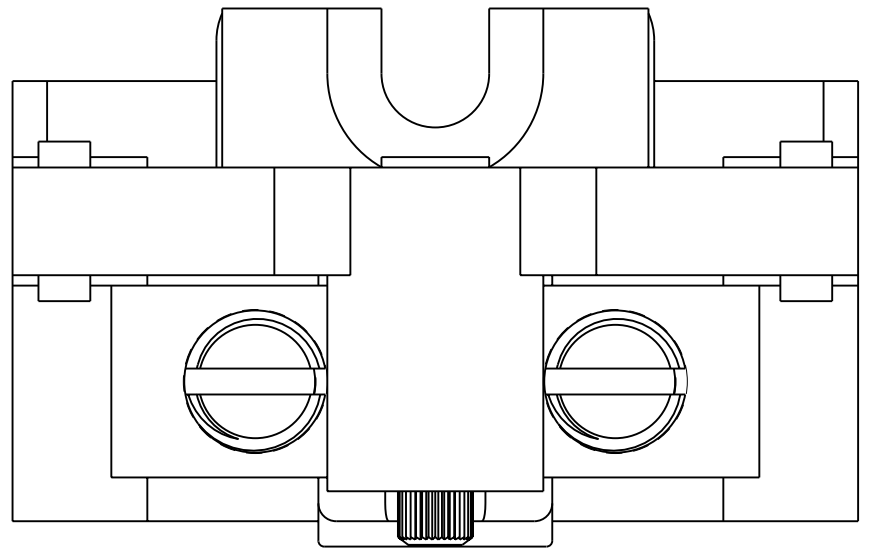


THIS DRAWING IS UNPUBLISHED. RELEASED FOR PUBLICATION 20
 © COPYRIGHT 20 BY TYCO ELECTRONICS CORPORATION. ALL RIGHTS RESERVED.

LOC	DIST	REVISIONS					
FT	0	P	LTR	DESCRIPTION	DATE	DWN	APVD
			A	RELEASED	27SEP2005	SW	SY



- PHYSICAL PROPERTIES
 HOUSING: PHENOLIC, UL 94V-1 RATED, COLOR: BLACK.
 TUBULAR CONTACT: COPPER ALLOY, ZINC PLATED.
 SET SCREW: STEEL, ZINC PLATED CLEAR NON-HEXAVALENT CHROMATE.
- MECHANICAL
 PITCH: .560
 MOUNTING: DIRECT MOUNT.
 OPERATING TEMPERATURE: 150°C MAX.
 TORQUE: RECOMMENDED TIGHTENING TORQUE IS 35 IN-LBS.
- ELECTRICAL
 MAXIMUM CURRENT: 85A
 OPERATING VOLTAGE: 600 V
 WIRE RANGE: 4-18 AWG.

PAINTED WHITE	222-BU	3-1437390-3
PLAIN	212	1447502-1
MARKING AREA	CATALOG NUMBER	PART NUMBER

<small>THIS DRAWING IS A CONTROLLED DOCUMENT FOR TYCO ELECTRONICS CORPORATION IT IS SUBJECT TO CHANGE AND THE CONTROLLING ENGINEERING ORGANIZATION SHOULD BE CONTACTED FOR THE LATEST REVISION.</small>		DWN S. WELDON	27SEP2005	BUCHANAN Tyco Electronics Harrisburg, PA 17105-3608
DIMENSIONS: INCHES		CHK S. YODER	27SEP2005	
		APVD S. YODER	27SEP2005	
TOLERANCES UNLESS OTHERWISE SPECIFIED: 0 PLC ±. 1 PLC ±0.1 2 PLC ±0.05 3 PLC ±0.020 4 PLC ±0.000 ANGLES ±		PRODUCT SPEC		
MATERIAL	FINISH	APPLICATION SPEC	WEIGHT	NAME ASSEMBLY, TERMINAL BLOCK, NEMA, FLAT BASE, HEAVY DUTY, PHENOLIC, TUBULAR SCREW TUBULAR SCREW
CUSTOMER DRAWING		SIZE A2	CAGE CODE 00779	DRAWING NO C=2-1437390-8
		RESTRICTED TO	SCALE 3:1	SHEET 1
			OF 1	REV A