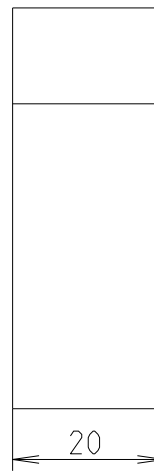
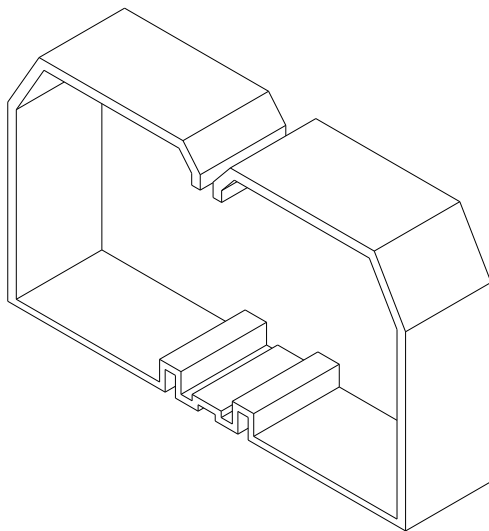
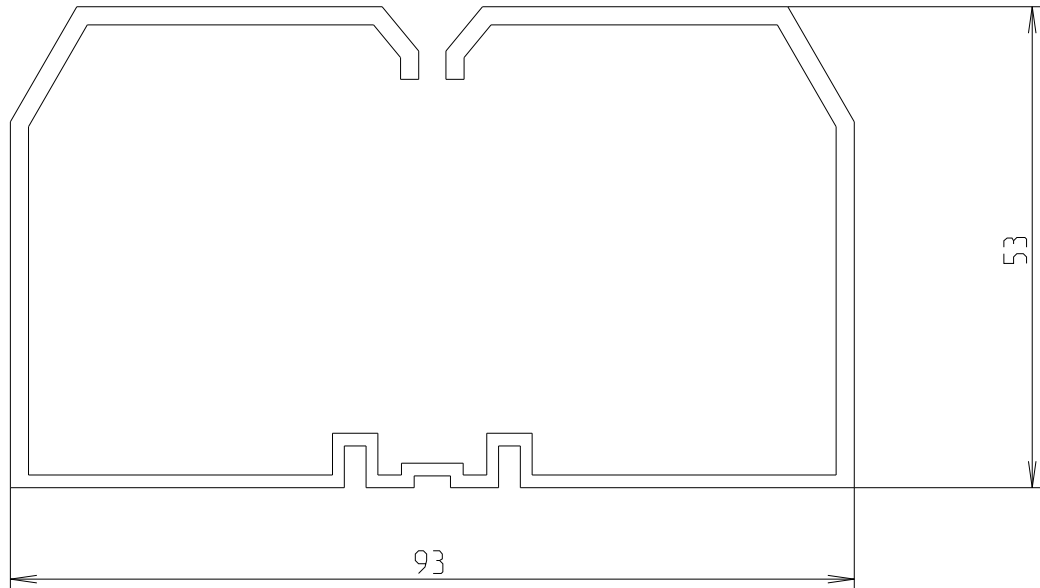


REVISIONS

P	LTR	DESCRIPTION	DATE	DWN	APVD
	A	First release	18JUN2021	SL	VR


SCALE 1:1



1SET411309R0000

PART NO.

© 2021 TE Connectivity. All Rights Reserved.

DIMENSIONS: mm		DWN 08-Jul-21 01:27:00 PM Seguin, Laurene	MATERIAL PA66+%25CF	FINISH -			
TOLERANCES UNLESS OTHERWISE SPECIFIED:		CHK 2021-06-18 Seguin, Laurene	 TE Connectivity				
0 PLC ± 1 PLC ±1 2 PLC ±1 3 PLC ±1 4 PLC ±1 ANGLES ±		APVD 2021-07-06 Villard, Romain					
		PRODUCT SPEC -	NAME WD-1-RT-1006				
		APPLICATION SPEC -	SIZE A 4	CAGE CODE 00779	DRAWING NO C=1SNP300194-0400	RESTRICTED TO -	
		WEIGHT -	CUSTOMER DRAWING		SCALE 1:1	SHEET 1 OF 1	REV A