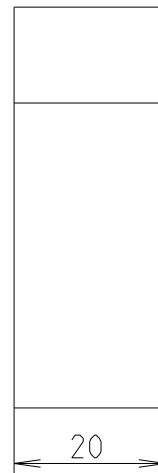
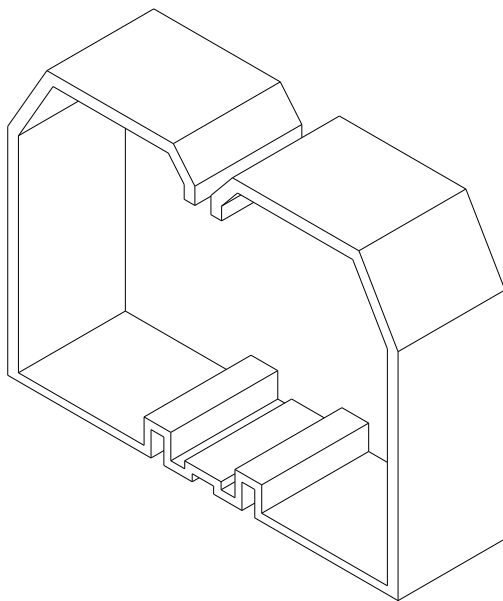
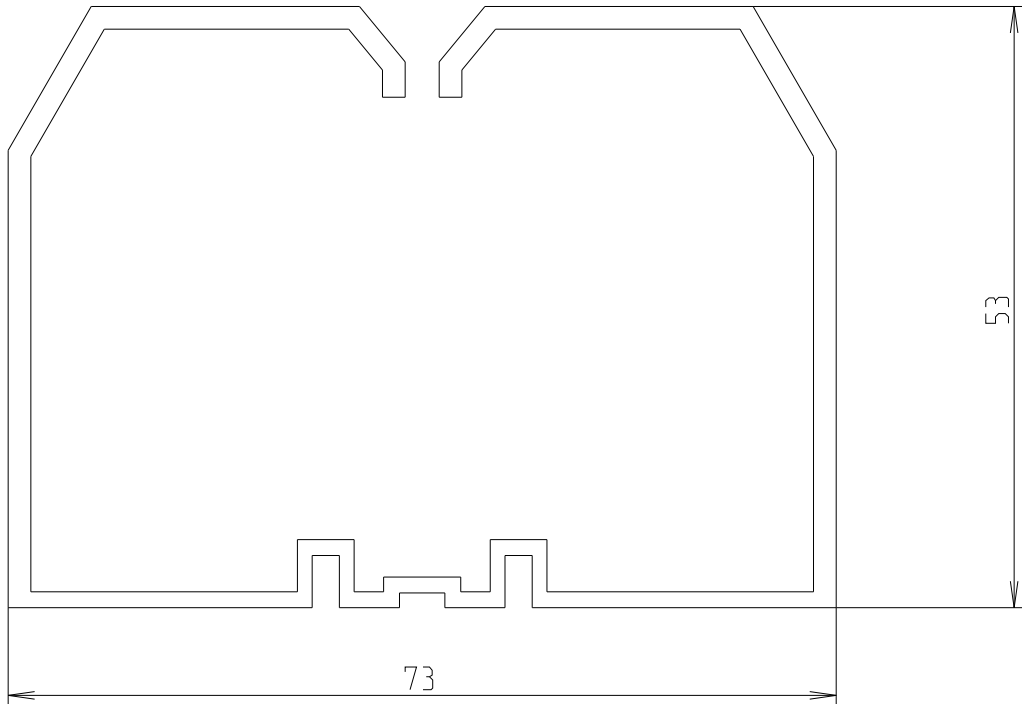


REVISIONS


| P | LTR | DESCRIPTION | DATE | DWN | APVD |
|---|-----|---------------|-----------|-----|------|
| | A | First release | 06JUL2021 | SL | VR |
| | | | | | |
| | | | | | |



1SET411308R0000

PART NO.

© 2021 TE Connectivity. All Rights Reserved.

| | | | | | | | |
|---|--|--|--|-----------------|------------------------------|-----------------|-------|
| DIMENSIONS: mm | | DWN 08-Jul-21 01:27:00 PM Seguin, Laurene | MATERIAL PA66+%25CF | FINISH - | | | |
| TOLERANCES UNLESS OTHERWISE SPECIFIED: | | CHK 2021-06-18 Seguin, Laurene |  TE Connectivity | | | | |
| 0 PLC ± 1 PLC ±1 2 PLC ±1 3 PLC ±1 4 PLC ±1 ANGLES ± | | APVD 2021-07-06 Villard, Romain | | | | | |
| | | PRODUCT SPEC - | NAME WD-1-RT-8060 | | | | |
| | | APPLICATION SPEC - | SIZE A 4 | CAGE CODE 00779 | DRAWING NO C=1SNP300194-0300 | RESTRICTED TO - | |
| | | WEIGHT - | CUSTOMER DRAWING | | SCALE 1:1 | SHEET 1 OF 1 | REV A |